

Technical Data Sheet



ITEM #C350



ITEM #C355

ELECTRONIC ROLL TOWEL DISPENSER

- 99.9% jam-free.
- 83,700 hand dries on one set of batteries.
- Super-fast dispensing and easy paper access with a smart sensor zone.
- Customizable settings that are easy to reach, understand and change.
- Low Roll Indicator starts blinking when roll reaches 2.75", instantly showing custodial staff the optimal moment to utilize the stub roll compartment and load a new roll.
- Fast and simple dual lock featured on all new Cascades PRO Tandem units can be changed from an easy-match key-lock to a push-button using the slide button.

PRODUCT SPECS

COLORS:

- Dark grey with translucent blue accent (Item #C350)
- White with translucent blue accent (Item #C355)

CAPACITY:

One 7.5" wide roll towel with 8" diameter and a 2.75" stub roll

DISPENSER WEIGHT:

8.8 lbs (3.63 kg)

CASE WEIGHT:

11.2 lbs (4.99 kg)

CASE DIMENSIONS (L x W x H):

13.063 x 9.875 x 19 in
 (33.18 x 25.08 x 48.26 cm)

MATERIAL: ABS Plastic

CLEARANCE NEEDED:

- 16" under the dispenser
- 19.5" in front of the dispenser

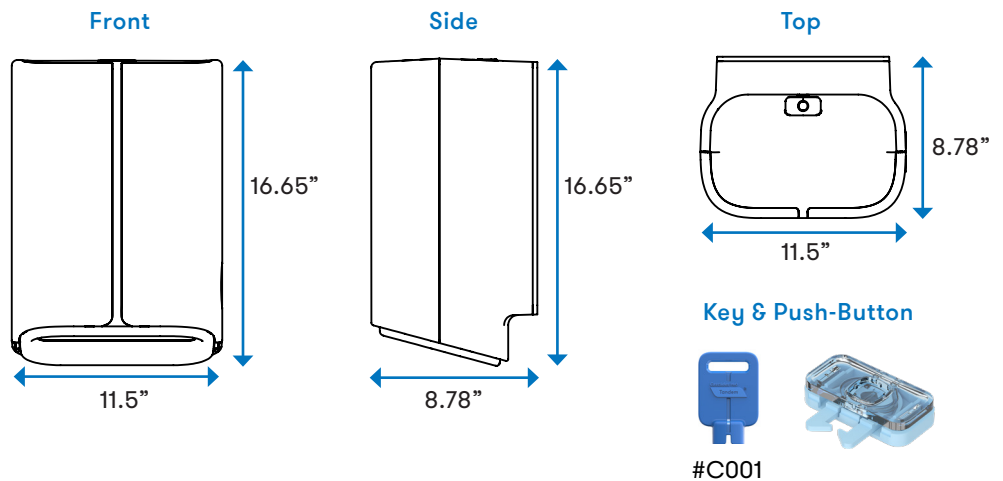
PAPER REFILLS

The Cascades PRO Tandem Electronic Dispenser is designed specifically to function with:

- 775' Cascades PRO Perform/Signature for Tandem roll towels
- 1050' Cascades PRO Perform for Tandem roll towels

INSTALLATION

Read instruction sheet before using this roll towel dispenser. Position the dispenser and make sure the lock or push-button positions are accessible and the dispenser cover opens completely. Mark the installation hole position on the wall. Use the built-in level. Drill guide holes then install the dispenser with appropriate fasteners. Alternative screws and anchors may be required depending on wall materials.



Customizable Settings

