

AERA MAX®

PROFESSIONAL

Air Purifier | Purificateur d'air | Purificador de aire



PLEASE READ THESE INSTRUCTIONS BEFORE USE.
DO NOT DISCARD: KEEP FOR FUTURE REFERENCE.

VEUILLEZ LIRE CES INSTRUCTIONS AVANT D'UTILISER L'APPAREIL.
NE PAS JETER : CONSERVER AFIN DE CONSULTER LES DIRECTIVES
ULTÉRIEUREMENT, EN CAS DE BESOIN.

LEA ESTAS INSTRUCCIONES ANTES DEL USO.
NO LAS DESECHE: CONSÉRVELAS COMO REFERENCIA FUTURA.

SAFETY INSTRUCTIONS/WARNING

Thank you for purchasing the AeraMax® PRO AM II.

Please read and save these instructions. Read carefully before attempting to operate or maintain this product. Protect yourself and others by observing all safety information. Failure to comply with instructions could result in personal injury and/or property damage. Retain instructions for future reference.

IMPORTANT CAUTIONS AND INSTRUCTIONS FOR USING AIR PURIFIER:

WARNING: Follow the instructions in this manual to reduce the risk of electric shock, short circuit, and/or fire:

- Do not use this air purifier as sole protection against harmful pollutants.
- Use this unit only in the manner intended by the manufacturer. If you have questions, contact the manufacturer.
- Do not repair or modify the unit unless specifically recommended in this manual. All repairs should be completed by a qualified technician.
- The plug for this unit is polarized with one blade wider than the other. Do not force the plug into an electrical outlet.
- Do not alter the plug in any way. If the plug does not fit into the outlet, reverse the plug. If it still does not fit, contact a qualified technician to install a proper outlet.
- Do not use if the power cord or plug is damaged or the connection to the wall outlet is loose.
- Use AC 120V only.
- Do not damage, break, forcefully bend, pull, twist, bundle coat, pinch, run under carpets, cover with throw rugs or place heavy objects on the power cord.
- Periodically remove dust from the power plug. This will reduce the chance that humidity will accumulate, which increases the risk of electric shock.
- If the power plug is damaged, it must be replaced by the manufacturer or a qualified technician.
- Remove the power plug from the outlet before cleaning the unit. When removing the power plug, grasp by holding the plug itself, never hold by the cord.
- Remove the power plug from the outlet when the unit is not in use.
- Do not handle the power plug with wet hands.
- Before servicing or cleaning the unit, switch power off at service panel. Lock service panel, or affix a warning tag, to prevent power from being switched back on accidentally.
- Use only the electrical power cord (voltage and frequency) specified for the model air purifier being installed.
- Do not obstruct the air inlet or air outlet of the air purifier.
- Do not use unit without filters installed.
- Do not wash and reuse any of the filters.
- Do not use attachments or filters other than AeraMax® PRO brand, as unit will not function.
- Do not spray aerosols on, or into the unit.
- Do not use detergent to clean the unit.
- Do not insert fingers, liquids, or foreign objects into the air intake or outlet.
- Do not use the unit for anything other than air purification.
- This appliance is not intended for use by persons whose physical, sensory or mental capabilities are different, reduced or lack the experience and knowledge for the operation of the appliance.
- Children should be supervised to ensure that they do not use the appliance as a toy.

LIMITED PRODUCT WARRANTY

Limited Warranty: Fellowes, Inc. ("Fellowes") warrants the AeraMax® PRO air quality control system (the "Product") to be free of defects in material and workmanship for 3 years from date of purchase. In the event that the Product is installed into new construction, the warranty period shall commence on the date of the occupancy permit or one year after the date of purchase, whichever is earlier. If any part is found to be defective during the warranty period, your sole and exclusive remedy will be repair or replacement, at Fellowes' option and expense, of the defective part. This warranty does not cover damage caused by use of non-Fellowes approved filters or failure to follow the recommended replacement schedule. This warranty does not apply in cases of abuse, mishandling, failure to comply with product usage standards, operation using an improper power supply (other than listed on the label), or unauthorized repair. Fellowes reserves the right to charge the consumers for any additional costs incurred by Fellowes to provide parts or services outside of the country where the Product was initially sold by an authorized reseller. This warranty does not cover replaceable filters. In the event that the Product is not readily accessible to Fellowes designated service personnel, Fellowes reserves the right to supply customer with replacement parts or Product in full satisfaction of its obligations under this warranty and any service obligations. ANY IMPLIED WARRANTY, INCLUDING THAT OF MERCHANTABILITY OR FITNESS FOR A PARTICULAR PURPOSE, IS HEREBY LIMITED IN DURATION TO THE APPROPRIATE WARRANTY PERIOD SET FORTH ABOVE. In no event shall Fellowes be liable for any consequential, incidental, indirect or special damages. This warranty gives you specific legal rights. The duration, terms, and conditions of this warranty are valid worldwide, except where different limitations, restrictions, or conditions may be required by local laws.

PACKAGING CONTENTS

- AeraMax® PRO Commercial-Grade Air Purifier
- 2" Hybrid Filter (includes 1" True HEPA & 1" Activated Carbon)
- Wall mount screws (4) and installation bracket
- Drywall Anchors (4)
- Registration information

PRODUCT SPECIFICATIONS

AeraMax® PRO AM II	
Dimensions (H x W x D)	22.3 x 13.7 x 4 inches / 56.5 x 34.9 x 10.2 cm
Weight of System (including filters)	10.6 lbs. / 4.81 kg
Power Requirements	120 volt, 60 Hz, 1.37 amp
Power Consumption (5 fan speeds)	6.90, 9.53, 14.22, 40.09, 70.36 watts
Air Delivery (5 fan speeds)	35, 43, 51, 64, 100 CFM*
Decibels	45, 48, 51, 60, 64 dB
Display	Capacitive Touch
Sensors	EnviroSmart™
Sensor Controlled Operation Modes	2 Primary modes - Auto Mode and Manual Mode
Supplied Filters	(1) 2" Hybrid Filter (includes 1" True HEPA & 1" Activated Carbon) with an estimated average filter life of 1 year. (1) prefilter, estimated life 3 months.
Cleaning System	Hybrid filter includes High Efficiency Particulate Air (HEPA) filter rated efficiency of 99.97% of airborne particulate at 0.3 microns. Carbon Filter adsorbs odor and volatile organic compounds, PlasmaTRUE™ bipolar ionizer.
* CFM tested with hybrid filter only and machine in vertical orientation	

REPLACEMENT FILTERS

5/8" Carbon Boosters	Additional granular activated carbon filters. Average filter life 6 months: 9544401 - 2 sets
2" True HEPA	True HEPA filter replacement with AeraSafe™ treatment. Average filter life 2 years: 9544301 - 1 pack
2" Carbon	Carbon Granular activated carbon replacement filter. Average filter life 1 year: 9544601 - 1 pack
2" Hybrid	1" True HEPA and 1" Carbon with hybrid replacement filter. Average filter life 1 year: 9544501 - 1 pack

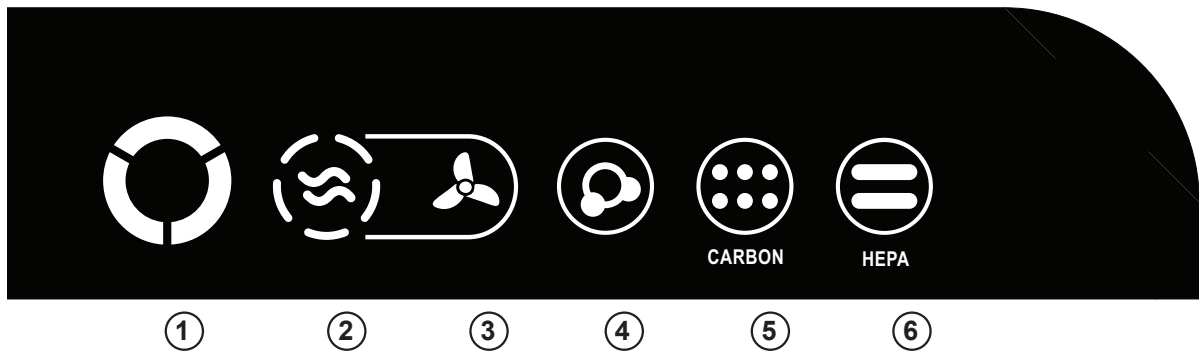
INFORMATION TO THE USER

This equipment has been tested and found to comply with the limits for Class B digital device, pursuant to part 15 of the FCC Rules. These limits are designed to provide reasonable protection against harmful interference in an installation. This equipment generates, uses and can radiate radio frequency energy and, if not installed and used in accordance with the instructions, may cause harmful interference to radio communications. However, there is no guarantee that interference will not occur in a particular installation. If this equipment does cause harmful interference to radio or television reception, which can be determined by turning the equipment off and on, the user is encouraged to try to correct the interference by one or more of the following measures:

- Reorient or relocate the receiving antenna
- Increase the separation between the equipment and receiver
- Connect the equipment on a circuit different from that to which the receiver is connected.
- Consult the dealer or experienced radio/TV technician for help.

WARNING: Any changes or modifications not expressly approved by the manufacturer could void the user's authority to operate the equipment and warranty.

DISPLAY PANEL



NOTE: after the unit is turned on the "AQ" light will flash for a few minutes while the system self-calibrates.

- ① **AIR QUALITY SENSOR** – This indicator monitors the air quality and adjusts the fan speed to keep your air purified. Blue indicates a low level of contaminants detected, amber indicates a moderate level of contaminants and red indicates a high level of contaminants.
- ② **AUTO MODE** – To select, press and hold the button until icon illuminates. This mode monitors air quality, motion, and noise level to adjust the fan speed in order to keep your air purified as quickly as possible. The fan has 5 speeds and can reach turbo speed to clean the room in the case of high levels of contaminant. The number of tick marks illuminated around this icon indicates fan speed. This button also includes QUIET MODE. To select, press and hold until the button turns purple. The machine will continue to use EnviroSmart™ but only utilizes the 3 lowest, most quiet of the 5 fan speeds.
- ③ **MANUAL MODE** – To select, press the button until icon illuminates. This mode allows you to choose one of the 5 fan speeds and keep the unit at this speed until AUTO MODE is chosen again. The internal sensors will not adjust the fan speed in this mode. The number of tick marks illuminated around the AUTO MODE icon indicates fan speed.
- ④ **PlasmaTRUE™ TECHNOLOGY** – Creates an ionized field to help safely remove airborne pollutants. To turn on and off the PlasmaTRUE™ TECHNOLOGY, touch and hold the PLASMA indicator. A blue light illuminates when the PlasmaTRUE™ TECHNOLOGY is enabled. To disable the PlasmaTRUE™ TECHNOLOGY, press and hold "Plasma" indicator until light is off.
- ⑤ **CARBON FILTER REPLACEMENT INDICATOR*** – If the light is red this indicates the filter needs replacing. The replacement period will vary depending on the filters used, hours of use, air quality, and rate of air flow. For filter replacement indicator descriptions see FILTER REPLACEMENT section.
- ⑥ **HEPA FILTER REPLACEMENT INDICATOR*** – If the light is red this indicates the filter needs replacing. The replacement period will vary depending on the filters used, hours of use, air quality, and rate of air flow. For filter replacement indicator descriptions see FILTER REPLACEMENT INDICATORS section.

*Note - if hybrid filter is being used, both the HEPA and Carbon indicators will be lit.

OPERATION

The air purifier continuously works in automatic mode; The air purifier will operate through the 5 levels of speeds in order to clean room of contaminants. Once air is cleaned, and no sensors are activated, the unit lowers to energy saving mode to reduce energy consumption and extend the life of the filters.

When Manual Mode is selected the Manual indicator on the control panel will be blue. This mode allows you to choose one of the 5 fan speeds and keep unit at this speed until Auto Mode is chosen/selected.

INSTALLATION

Please read instructions carefully before installing unit.

SAFETY

WARNING:

Be mindful of placement in relation to electric socket (cord length approx 5'5").

To avoid the risk of electrocution confirm the electrical supply has been disconnected or switched off before beginning any installation work.

Confirm no electrical wiring, utility pipes, or duct work is located directly behind the installation / drilling area.

It is strongly recommended at least 2 mounting points for the air purifier be mounted to an existing stud. Requires 2 people for installation.

TOOLS RECOMMENDED FOR INSTALLATION

- Electric drill, drill bits (not included)
- # 2 Phillips and # 2 Flat Head screw drivers (not included)
- Level (not included)
- Stud finder

PRODUCT INSTALLATION GUIDELINES

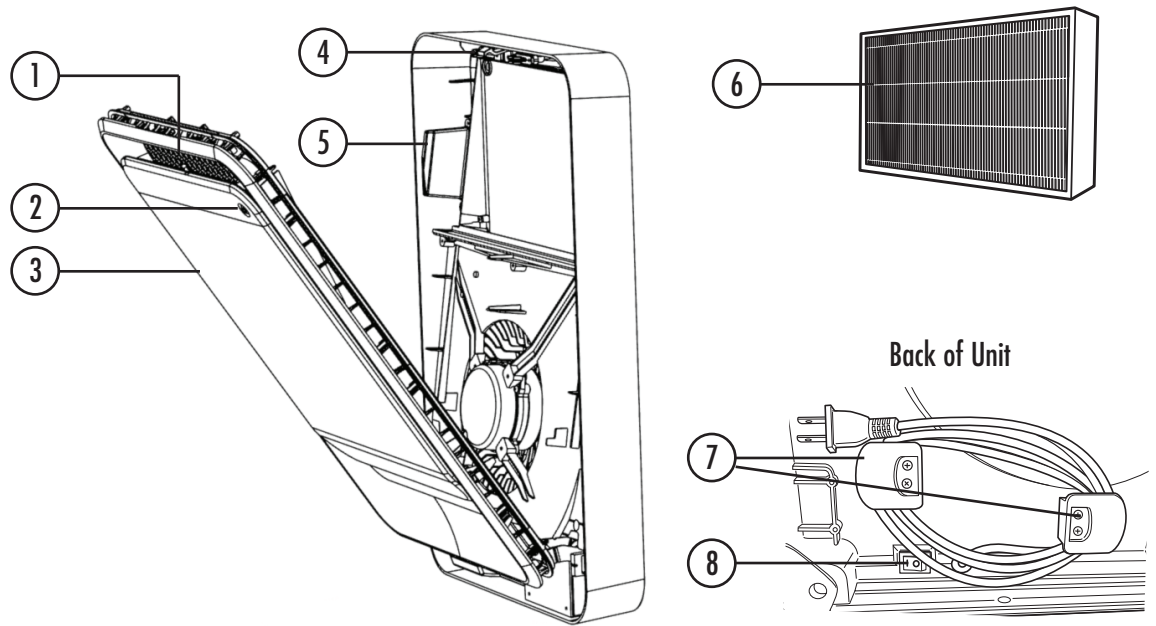
If air purifier is being mounted high on the wall make sure the top edge of the unit is positioned at least 8" inches (21 cm) below the ceiling to allow for filter replacement.

Americans with Disabilities Act (ADA):

Be sure to follow all ADA guidelines pertaining to "Objects protruding into a circulation path." For more information visit www.ada.gov.

KEY

1. Control Panel
2. Motion Sensor
3. Front Access Panel
4. Access Panel Latch
5. Certified Filter Sticker
6. Hybrid filter with prefilter
7. Cord Management
8. Power Switch



SET UP - Reference KEY section

1. Open unit by pressing the access panel latch (4) down while pulling the front access panel towards you.
2. Remove bag from filter and place back in unit.

MOUNTING MAIN ASSEMBLY

1. Choose an area to mount the unit near a standard outlet receptacle (Cord length about 5'5 [1.6m]).
2. Install the provided mounting bracket to the wall using the 4 screws and 4 anchors provided. (Recommended: Use level to install bracket)

Note: It is recommended that 2 of the 4 screws are installed into a stud.

- If installed to a stud, no anchor is needed.
- If mounting location is over drywall or other surface requiring additional support, use anchors provided.

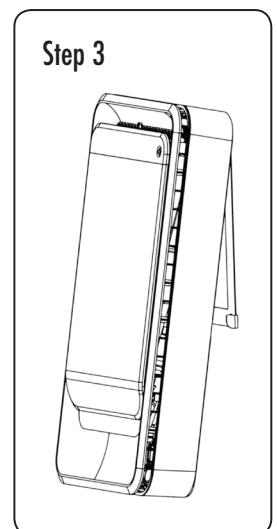
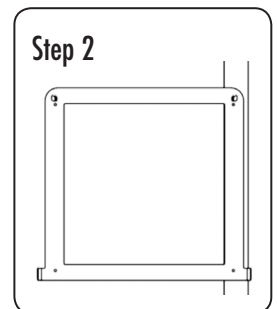
[Anchor use only] Use the bracket provided to mark the desired locations on the wall for installation. To use anchors, drill a 3/8" (9.5mm) hole in the mounting hole location(s) and press anchors into the wall. Install screw through the mounting bracket and into the anchor.

3. Hang the unit at an angle on the top hooks of the mounting bracket first as shown in the illustration.
4. Once the top hooks are engaged, press the bottom of the unit flush to the bracket.
5. Remove the filter(s) from the unit and remove their packaging.
6. Place the stickers provided (2) over the top mounting hole locations to maximize performance.
7. Install the filters in the unit.

Note: The "AeraMax Pro Certified Filter Sticker" on the filter must align with the identical sticker found on the unit. If the filter is not installed properly, the unit will not power on.

8. Plug the power cord into standard outlet receptacle.
9. Reach behind the unit on the back bottom right to access the power switch and turn unit on.

Note: Manual mode will not be available for 1 minute upon initial power-up.



CARE AND MAINTENANCE

CLEANING:

- Clean external housing as necessary by wiping with a dry, soft cloth; for stains, use a warm, damp cloth.
- Do not use volatile fluids such as benzene, paint thinner, scouring powder or other cleaners that may damage the unit surface.
- Clean intake and exhaust vents by wiping with a dry, soft cloth.

FILTER REPLACEMENT:

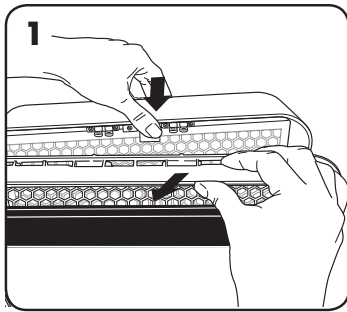
The replacement filter indicators will signal when to replace the HEPA Filter and/or Carbon filters. The replacement period will vary depending on the hours of use, air quality, and rate of air flow. However, under normal usage, most HEPA filters need to be replaced every 1 year, Carbon filters every 6 months, and Hybrid filters every 1 year. When a filter needs to be replaced the following color will be shown on any one of the HEPA or CARBON filter replacement indicators:

Amber flashing = 90% filter wear (recommendation to order new filters)

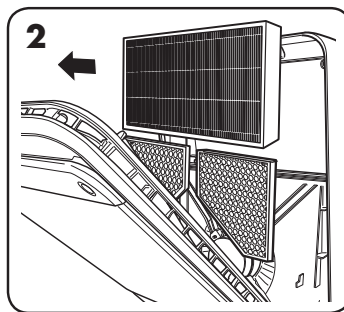
Red = 100% filter wear (replace with new filters)

Do not wash and reuse any of the filters – they will not work effectively. Only use AeraMax® PRO brand replacement filters as units will not function using any other replacements.

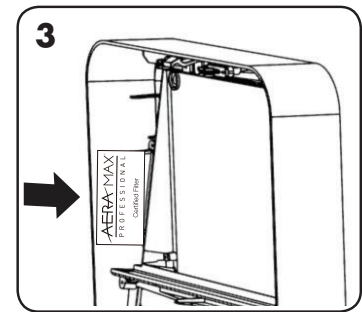
FILTER REPLACEMENT PROCEDURE:



- 1.** Press the access panel latch down while pulling front panel towards you.



- 2.** Remove old filter(s). **3.** When inserting new filters, be sure to remove the plastic bag. When inserting the hybrid filter, make sure the green prefilter is over the black carbon side and insert that side first with the white HEPA facing out. When inserting new Hybrid or HEPA filters, align the AeraMax® PRO Certified Filter stickers on the filter and the inside of the unit. The arrow should point towards the back of the unit. Reference (5) on the KEY section.



FILTER LIGHT RESET:

When installing a new filter the unit will automatically detect the filter type but the user will have to manually reset the filter replacement indicators. To reset any of the filter replacement indicators, press and hold filter type button that was replaced (HEPA or Carbon) until the light turns off. Repeat for other filter types as needed. When replacing the hybrid filter, reset both the HEPA and carbon indicator lights.

TROUBLESHOOTING

PROBLEM:	POSSIBLE SOLUTION:
The air quality control system fails to start.	<ul style="list-style-type: none"> • Check to assure unit is connected to power supply. • Make sure filters are genuine AeraMax® PRO filters, as unit will not function with other brands. IMPORTANT: Make sure to align the AeraMax PRO Certified Stickers on the filter and the inside of the unit. The arrows should point towards the back of the unit. • Review Filter Replacement Method section for further detail. • Make sure front access panel is closed completely. • Make sure power switch is on.
The unit makes a faint ticking sound.	<ul style="list-style-type: none"> • This indicates that the "PlasmaTRUE™" bipolar ionizer is working.
The HEPA and/or Carbon Filter replacement indicator light remain lit after replacing the filter(s).	<ul style="list-style-type: none"> • Repeat filter light reset instruction.

CONSIGNES DE SÉCURITÉ/AVERTISSEMENT

Merci pour votre achat de l'AeraMax[®] PRO AM II.

Veillez lire et conserver ces consignes. À lire attentivement avant toute tentative d'utilisation ou d'entretien de ce produit. Protégez-vous et autrui en respectant toutes les consignes de sécurité. Le non-respect de ces consignes pourrait entraîner des blessures corporelles et/ou des dégâts matériels. Conservez ces consignes pour pouvoir vous y référer ultérieurement.

IMPORTANTES MISES EN GARDE ET CONSIGNES CONCERNANT L'UTILISATION DU PURIFICATEUR D'AIR :

AVERTISSEMENT : suivez les instructions de ce manuel pour réduire le risque de choc électrique, de court circuit et/ou d'incendie :

- N'utilisez pas ce purificateur d'air comme unique protection contre les polluants nocifs.
- Utilisez cette unité exclusivement de la façon prévue par le fabricant. Pour toute réponse à vos éventuelles questions, contactez le fabricant.
- Ne réparez ni ne modifiez l'appareil à moins de recommandation spécifique dans ce manuel. Toutes les réparations doivent être effectuées par un technicien qualifié.
- La fiche de cette unité est polarisée grâce à une lame plus large que l'autre. Ne forcez pas la fiche dans une prise électrique.
- Ne modifiez pas la fiche d'aucune façon. Si la fiche n'entre pas dans la prise, retournez-la. Si elle n'entre toujours pas, demandez à un technicien qualifié d'installer une prise appropriée.
- N'utilisez pas l'unité si son cordon d'alimentation ou sa fiche sont endommagés ou si la connexion à la prise murale est lâche.
- Utilisez uniquement un courant alternatif de 120 V.
- Veillez à ne pas endommager le cordon d'alimentation ; ne pas le couper, le plier, le tirer, le tordre, le rouler serré, l'enduire, le pincer le faire passer sous une moquette ou le couvrir d'un tapis ni poser d'objets lourds dessus.
- Dépoussiérez régulièrement la fiche d'alimentation. Ceci permettra de réduire les risques d'accumulation d'humidité et par conséquent les risques de décharges électriques.
- Si la fiche est endommagée, faites-la remplacer par le fabricant ou un technicien qualifié.
- Retirez la fiche de la prise électrique avant de nettoyer l'unité. Pour sortir la fiche d'alimentation, tirez sur la fiche même plutôt que sur le cordon d'alimentation.
- Retirez la fiche de la prise électrique quand l'unité n'est pas utilisée.
- Ne manipulez pas la fiche avec les mains mouillées.
- Mettez l'unité hors tension à partir du panneau de commande avant tout entretien ou nettoyage. Verrouillez le panneau de commande ou apposez une étiquette d'avertissement, pour que personne ne remette pas l'unité sous tension par mégarde.
- Utilisez uniquement la puissance électrique (tension et fréquence) indiquée pour le modèle de purificateur d'air en cours d'installation.
- N'obstruez pas les entrées ou sorties d'air du purificateur d'air.
- Utilisez l'unité uniquement après avoir installé les filtres.
- Ne lavez pas les filtres afin de les réutiliser.
- N'utilisez aucune pièce ni aucun filtre qui ne soit pas de marque AeraMax[®] PRO. Cela empêcherait l'unité de fonctionner.
- Ne vaporisez pas d'aérosol sur ou dans l'unité.
- N'utilisez pas de détergent pour nettoyer l'unité.
- Veillez à ne pas insérer les doigts ni aucun liquide, ou corps étranger dans l'entrée d'air ou les événements.
- N'utilisez pas l'unité, si ce n'est pour purifier l'air.
- Cet appareil n'est pas conçu pour une utilisation par des personnes dont les aptitudes physiques, sensorielles ou mentales sont différentes ou réduites ou des personnes qui manquent d'expérience ou de connaissances nécessaires pour utiliser cet appareil.
- Les enfants doivent être surveillés pour s'assurer qu'ils ne jouent pas avec l'appareil.

GARANTIE LIMITÉE DU PRODUIT

Garantie limitée : Fellowes, Inc. (« Fellowes ») garantit que le système de contrôle de la qualité de l'air AeraMax[®] PRO (le « Produit ») sera exempt de tout défaut de matériaux et de main d'œuvre pendant une période de 3 ans à compter de la date d'achat. Si le Produit est installé dans un bâtiment nouvellement construit, la période de garantie commencera au moment où le permis d'occuper sera émis ou un an après la date d'achat, selon la première éventualité. Si une pièce s'avère défectueuse durant la période de garantie, votre seul et unique recours sera la réparation ou le remplacement de la pièce à la discrétion et aux frais de Fellowes. Cette garantie ne couvre pas les dommages causés par l'utilisation de filtres non approuvés par Fellowes ou le non-respect du programme de remplacement recommandé. Cette garantie ne couvre pas les cas d'abus, de manutention inadéquate, de non-conformité aux normes d'usage du produit, d'utilisation d'une source d'alimentation inappropriée (autre que celle indiquée sur l'étiquette) ou de réparation non autorisée. Fellowes se réserve le droit de facturer aux clients tous coûts supplémentaires encourus par Fellowes pour fournir des pièces ou des services à l'extérieur du pays où le produit a été vendu à l'origine par un revendeur autorisé. Cette garantie ne couvre pas les filtres remplaçables. Dans le cas où le Produit ne serait pas facilement accessible au personnel d'entretien désigné par Fellowes, Fellowes se réserve le droit de fournir au client des pièces de rechange ou un Produit afin de s'acquitter pleinement de ses obligations dans le cadre de la présente garantie et de toutes ses obligations en matière d'entretien. TOUTE GARANTIE IMPLICITE, Y COMPRIS CELLE DE QUALITÉ MARCHANDE OU D'ADAPTATION À UNE UTILISATION PARTICULIÈRE, SE LIMITE AUX PRÉSENTES À LA DURÉE DE LA PÉRIODE DE GARANTIE APPROPRIÉE ÉTABLIE DANS CE DOCUMENT. En aucun cas, Fellowes ne sera tenue responsable de quelque façon que ce soit de tout dommage direct ou indirect, accidentel ou non ou spécial attribuable à ce produit. Cette garantie vous donne des droits juridiques spécifiques. La durée, les modalités et les conditions de cette garantie s'appliquent partout dans le monde sauf dans les cas où différentes limites, restrictions ou conditions pourraient être exigées par la loi locale.

CONTENU DE L'EMBALLAGE

- Purificateur d'air commercial AeraMax® PRO
- Filtre hybride de 2 po (inclut True HEPA 1 po et À charbon actif 1 po)
- Vis de montage mural (4) et support d'installation
- Ancrages pour placoplâtre (4)
- Renseignements concernant l'enregistrement

CARACTÉRISTIQUES TECHNIQUES DU PRODUIT

AeraMax® PRO AM II	
Dimensions (H x L x P)	22,3 x 13,7 x 4 pouces / 56,5 x 34,9 x 10,2 cm
Poids du système (filtres inclus)	10,6 lbs. / 4,81 kg
Exigences d'alimentation	120 volt, 60 Hz, 1,37 amp
Consommation électrique (5 vitesses de ventilateur)	6,90, 9,53, 14,22, 40,09, 70,36 watts
Transport de l'air (5 vitesses de ventilateur)	35, 43, 51, 64, 100 MCM*
Décibels	45, 48, 51, 60, 64 dB
Écran	tactile capacitif
Capteurs	EnviroSmart™
Modes de fonctionnement contrôlés par capteur	2 modes principaux : mode automatique et mode manuel
Filtres fournis	(1) Filtre hybride de 2 po (inclut True HEPA 1 po et À charbon actif 1 po) avec une durée de vie moyenne estimée d'un an. (1) préfiltre, durée de vie estimée à 3 mois.
Système de nettoyage	Le filtre hybride offre une haute efficacité HEPA (99,97 %) d'élimination des particules de 0,3 micron en suspension dans l'air. Le filtre à charbon actif adsorbe les odeurs et les composés organiques volatils, ionisateur bipolaire PlasmaTRUE™.
* MCM testé uniquement avec un filtre hybride et alors que l'appareil est en orientation verticale	

FILTRES DE RECHANGE

Renforceurs de charbon 5/8 po	Filtres à charbon activé granulaire supplémentaires. Durée de vie moyenne du filtre de 6 ans : 9544401 - 2 ensembles
True HEPA 2 po	Filtre de rechange True HEPA avec traitement antimicrobien AeraSafe™ Durée de vie moyenne de 2 ans : 9544301 - paquet de 1
À charbon 2 po	Filtre de rechange à charbon activé granulaire. Durée de vie moyenne de 1 an : 9544601 - paquet de 1
Hybride 2 po	True HEPA 1 po et à charbon 1 po avec filtre de rechange hybride. Durée de vie moyenne de 1 an : 9544501 - paquet de 1

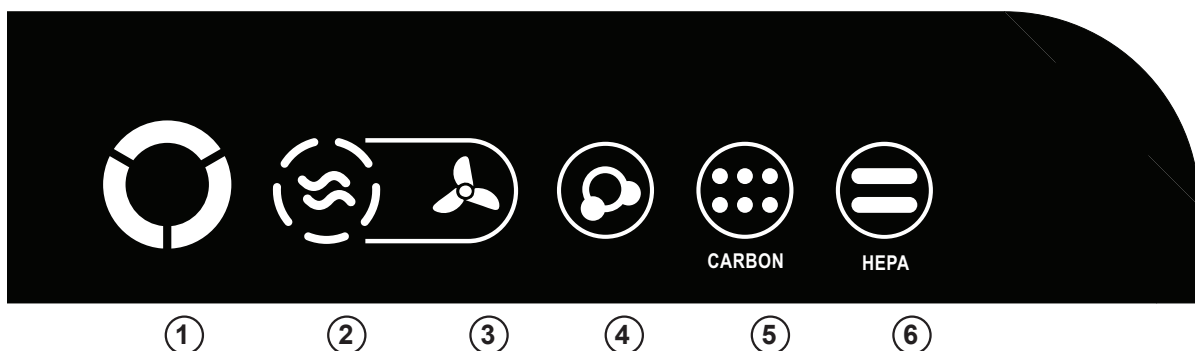
Pour acheter des filtres de rechange supplémentaires et pour obtenir des renseignements sur les accessoires disponibles, veuillez vous rendre sur le site suivant : www.aeramaxpro.com

RENSEIGNEMENTS À L'INTENTION DE L'UTILISATEUR

Cet appareil a été testé et est conforme aux limites établies pour un appareil numérique de classe B, conformément à l'alinéa 15 des règles de la FCC. Ces limites sont conçues pour offrir une protection raisonnable contre l'interférence nocive lorsque l'équipement est utilisé dans une installation résidentielle. Cet équipement produit, utilise et peut émettre des radiofréquences et, s'il n'est pas installé et utilisé conformément aux instructions, peut causer un brouillage préjudiciable pour les radiocommunications. Il n'est toutefois pas garanti qu'un brouillage préjudiciable ne se produira pas dans une installation particulière. Si cet équipement entraîne un brouillage préjudiciable pour la réception des programmes radio ou télévisés, ce qui peut être déterminé en allumant puis en éteignant l'équipement, l'utilisateur est encouragé à essayer de corriger le brouillage préjudiciable à l'aide de l'une ou l'autre des mesures suivantes :

- Réorienter ou déplacer l'antenne de réception;
- Augmenter la distance entre l'équipement et le récepteur.
- Connecter l'équipement à une prise sur un circuit différent de celui auquel le récepteur est connecté;
- Consulter le concessionnaire ou un technicien radio/télé expérimenté pour obtenir de l'aide.

AVERTISSEMENT : Les changements ou modifications qui ne sont pas approuvés expressément par le fabricant pourraient annuler la garantie et l'autorité de l'utilisateur de faire fonctionner l'équipement.



REMARQUE : une fois l'unité activée, le voyant « AQ » clignote pendant quelques minutes lors du calibrage automatique du système.

- ① **CAPTEUR DE QUALITÉ DE L'AIR** : contrôle la qualité de l'air et règle automatiquement la vitesse du ventilateur en conséquence pour que l'air qui vous entoure reste pur. La couleur bleue indique qu'un faible niveau de contaminants a été détecté, orange indique un niveau moyen de contaminants et rouge un niveau élevé.
- ② **MODE AUTOMATIQUE** : pour effectuer une sélection, appuyer sur le bouton puis le maintenir enfoncé pour faire s'allumer l'icône. Ce mode permet de contrôler la qualité de l'air et le niveau de bruit pour régler la vitesse du ventilateur afin de conserver la pureté de l'air sans délai. En présence de niveaux élevés de contaminants, le ventilateur, qui dispose de cinq vitesses, peut atteindre une vitesse turbo afin de nettoyer la pièce. Le nombre de marques de graduations allumées autour de cette icône indique la vitesse du ventilateur. Ce bouton comporte aussi un **MODE SILENCIEUX**. Pour le sélectionner, appuyer sur le bouton et le maintenir enfoncé jusqu'à ce que le bouton devienne violet. La machine continuera d'utiliser le mode EnviroSmart™, mais utilisera uniquement les 3 vitesses du ventilateur les plus basses et les plus silencieuses, sur les 5 existantes.
- ③ **MODE MANUEL** : pour effectuer une sélection, appuyer sur le bouton puis le maintenir enfoncé pour faire s'allumer l'icône. Ce mode permet de choisir une des 5 vitesses de ventilateur et de garder l'unité à cette vitesse tant que le **MODE AUTOMATIQUE** n'est pas choisi/sélectionné. Les capteurs internes ne régleront pas la vitesse du ventilateur dans ce mode. Le nombre de marques de graduation allumées autour de l'icône **MODE AUTOMATIQUE** indique la vitesse du ventilateur.
- ④ **TECHNOLOGIE PlasmaTRUE™** : crée un champ ionisé qui aide à supprimer les polluants aéroportés en toute sécurité. Pour activer et désactiver la **TECHNOLOGIE PlasmaTRUE™**, appuyer sur l'indicateur **PLASMA** et le maintenir enfoncé. Un voyant bleu s'allume lorsque la **TECHNOLOGIE PlasmaTRUE™** est activée. Pour désactiver la **TECHNOLOGIE PlasmaTRUE™**, appuyez sur l'indicateur « **PLASMA** » jusqu'à ce que le voyant s'éteigne.
- ⑤ **VOYANT DE REMPLACEMENT DU FILTRE À CHARBON*** : le filtre a besoin d'être remplacé lorsque le voyant clignote en rouge. La fréquence de remplacement varie selon le type de filtre utilisé, les heures d'utilisation, la qualité de l'air et le débit d'air. Pour consulter les descriptions des indicateurs de remplacement des filtres, reportez-vous à la section **REPLACEMENT DES FILTRES**.
- ⑥ **VOYANT DE REMPLACEMENT DU FILTRE À CHARBON*** : le filtre a besoin d'être remplacé lorsque le voyant clignote en rouge. La fréquence de remplacement varie selon le type de filtre utilisé, les heures d'utilisation, la qualité de l'air et le débit d'air. Pour consulter les descriptions des indicateurs de remplacement des filtres, voir la section **INDICATEURS DE REMPLACEMENT DES FILTRES**.

*Remarque : si un filtre hybride est utilisé, les deux indicateurs (HEPA et À charbon) seront allumés.

OPÉRATION

Le purificateur d'air fonctionne en continu en mode automatique ; Le purificateur d'air fonctionnera aux 5 niveaux de vitesse afin de nettoyer la pièce des contaminants. Une fois l'air nettoyé et à condition qu'aucun capteur ne soit activé, l'unité passe en mode d'économie d'énergie pour réduire la consommation d'énergie et prolonger la durée de vie des filtres.

Une fois le mode Manuel sélectionné, l'indicateur Manuel du panneau de commande s'allume en bleu. Ce mode permet de choisir une des 5 vitesses de ventilateur et de garder l'unité à cette vitesse tant que le mode automatique n'est pas choisi/sélectionné.

INSTALLATION

Veillez lire attentivement les instructions avant d'installer l'unité.

SÉCURITÉ

AVERTISSEMENT :

Veillez à placer correctement l'unité par rapport à la prise électrique (le cordon mesure environ 5 pi 5 po de long).

Pour éviter tout risque d'électrocution, assurez-vous que l'alimentation électrique a été déconnectée ou éteinte avant de commencer toute tâche d'installation.

Assurez-vous qu'aucun fil électrique, câble d'utilité publique ou conduit ne se trouve directement derrière la zone d'installation / de perçage.

Il est vivement recommandé de monter à un montant existant au moins 2 ancrages de montage pour le purificateur d'air. L'installation exige 2 personnes.

OUTILS RECOMMANDÉS POUR L'INSTALLATION

- Perceuse électrique, mèches (non incluses)
- Tournevis Phillips n° 2 et tournevis à tête plate n° 2 (non inclus)
- Niveau (non inclus)
- Détecteur de montant

CONSIGNES D'INSTALLATION DU PRODUIT

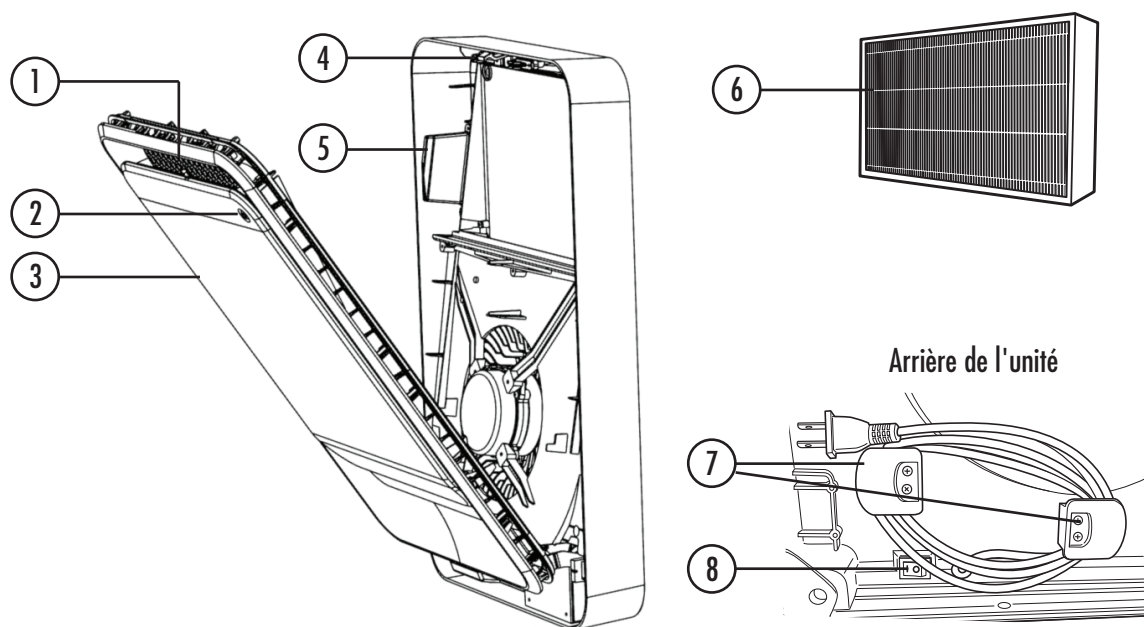
Si le purificateur d'air doit être installé dans la partie supérieure du mur, veiller à ce que le bord supérieur de l'unité soit positionné à au moins 8 pouces (21 cm) du plafond pour qu'il soit possible de remplacer le filtre.

Americans with Disabilities Act (ADA) :

assurez-vous de respecter les consignes ADA concernant les « Objets saillants encombrants les voies de circulation ». Pour en savoir plus, visitez le site www.ada.gov.

NETTOYAGE

1. Panneau de commande
2. Capteur de mouvement
3. Panneau d'accès frontal
4. Loquet du panneau d'accès
5. Autocollant « Filtre homologué »
6. Filtre hybride avec préfiltre
7. Gestion des câbles
8. Interrupteur



INSTALLATION - Section CLÉ de référence

1. Pour ouvrir l'unité, appuyez sur le loquet du panneau d'accès (4) tout en tirant vers vous le panneau d'accès frontal.
2. Retirez le sac du filtre et replacez-le dans l'unité.

ENSEMBLE DE MONTAGE PRINCIPAL

1. Choisissez l'emplacement de montage de l'unité. Celle-ci doit se trouver près d'une prise murale standard (le cordon mesure environ 5 pi 5 po [1,6m] de long).
2. Installez le support de montage fourni sur le mur à l'aide des 4 vis et des 4 ancrages fournis. (Recommandé : Utilisez le niveau pour installer le support)

Remarque : Il est recommandé d'installer 2 des 4 vis dans un montant.

- Si l'installation se fait dans un montant, aucun ancrage n'est nécessaire.
- Si l'emplacement de montage est du placoplâtre ou une autre surface exigeant un support supplémentaire, utilisez les ancrages fournis.

[Utilisation d'ancrages exclusivement] Utilisez le support fourni pour marquer les emplacements d'installation souhaités sur le mur. Pour utiliser des ancrages, percez un trou de 3/8 po (9,5mm) aux emplacements de montage et insérez les ancrages dans le mur en appuyant sur ceux-ci. Installez la vis en la faisant passer à travers le support de montage et l'ancrage.

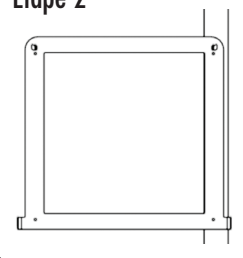
3. Accrochez l'unité à un angle tout d'abord sur les crochets supérieurs du support de montage de la façon illustrée.
4. Une fois les crochets supérieurs engagés, appuyez sur le bas de l'unité de niveau avec le support.
5. Retirez le(s) filtre(s) de l'unité et les déballez.
6. Placez les autocollants fournis (2) aux emplacements des trous de montage supérieurs pour optimiser les performances.
7. Installez les filtres dans l'unité.

Remarque : L'« Autocollant de filtre homologué AeraMax Pro » qui se trouve sur le filtre doit être aligné avec l'autocollant identique qui se trouve sur l'unité. Si le filtre n'est pas correctement installé, l'unité ne se mettra pas sous tension.

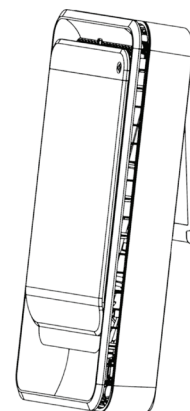
8. Branchez le cordon d'alimentation dans une prise standard.
9. Mettez l'unité sous tension : l'interrupteur d'alimentation se trouve à l'arrière de l'unité, en bas à droite.

Remarque : le mode Manuel deviendra disponible 1 minute après la mise sous tension initiale.

Étape 2



Étape 3



ET ENTRETIEN CLÉS

NETTOYAGE :

- Nettoyez les événements d'entrée et de sortie en les essuyant avec un linge doux et sec ; utilisez un linge humide tiède pour enlever les taches.
- N'utilisez pas de liquides volatils comme le benzène, des diluants pour peinture, ni de poudre à récurer ou autres nettoyeurs, car cela pourrait endommager la surface de l'unité.
- Nettoyez les événements d'entrée et de sortie en les essuyant avec un linge doux et sec.

REPLACEMENT D'UN FILTRE :

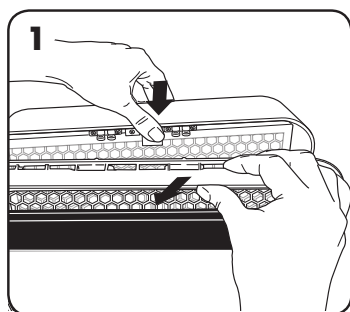
Les indicateurs de remplacement de filtre signalent le moment où il faut remplacer le filtre HEPA et/ou les filtres à charbon. L'intervalle de remplacement varie en fonction des heures d'utilisation et de la qualité et du débit de l'air. Toutefois, s'ils sont utilisés normalement, la plupart des filtres HEPA doivent être remplacés annuellement, les filtres à charbon tous les six mois, et les filtres hybrides annuellement. Tout voyant de remplacement de filtre HEPA ou À CHARBON nécessitant un remplacement affiche une des couleurs suivantes :

Orange clignotant = les filtres sont usés à 90 % (il est recommandé de commander de nouveaux filtres)

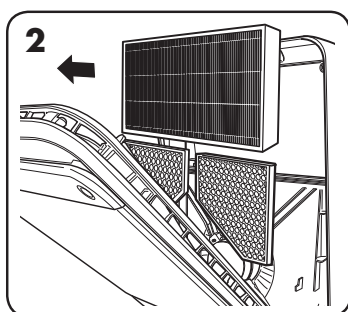
Rouge = les filtres sont usés à 100 % (il est recommandé de les remplacer par de nouveaux filtres)

Ne nettoyez pas ni ne réutilisez pas n'importe quel filtre. Cela aurait un impact sur leur efficacité. Utilisez uniquement des filtres de rechange de marque AeraMax® PRO. Sinon, l'unité ne fonctionnera pas.

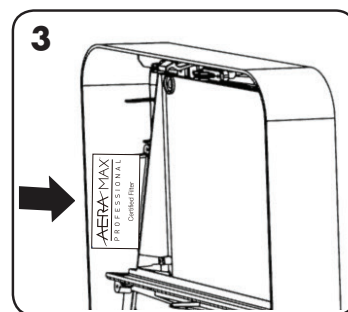
PROCÉDURE DE REMPLACEMENT DES FILTRES :



1. Appuyez vers le bas sur le loquet du panneau d'accès tout en tirant vers vous le panneau frontal.



2. Retirez le(s) filtre(s) usagé(s). 3. Lors de l'insertion des nouveaux filtres, assurez-vous de retirer le sac en plastique. Lors de l'insertion du filtre hybride, assurez-vous que le préfiltre vert est sur le côté de charbon noir et insérez d'abord ce côté avec le HEPA blanc dirigé vers l'extérieur. Lors de l'insertion des nouveaux filtres Hybrides ou HEPA, alignez les autocollants de filtre homologué AeraMax® PRO sur le filtre et l'intérieur de l'unité. La flèche devrait pointer vers l'arrière de l'unité.



Référence (5) de la section CLÉ.

RÉINITIALISATION DES VOYANTS DES FILTRES :

lors de l'installation d'un nouveau filtre, l'unité détecte automatiquement le type de filtre mais vous devez réinitialiser manuellement les indicateurs de remplacement du filtre. Pour réinitialiser n'importe lequel des indicateurs de remplacement de filtre, appuyez sur le bouton de type du filtre qui a été remplacé (HEPA or À charbon), puis maintenez ce bouton enfoncé tant que le voyant ne s'éteint pas. Répétez cette procédure pour les autres types de filtre selon les besoins. Lors du remplacement du filtre hybride, réinitialisez tant les voyants HEPA que les voyants À charbon.

DÉPANNAGE :

PROBLÈME :	SOLUTION PROBABLE :
Le système de contrôle de la qualité de l'air ne parvient pas à démarrer.	<ul style="list-style-type: none">• Assurez-vous que l'unité est connectée à un bloc d'alimentation.• Assurez-vous que les filtres sont bien des filtres AeraMax® PRO authentiques, car l'unité ne peut pas fonctionner avec des filtres d'autres marques. IMPORTANT: veillez à aligner les autocollants de filtre homologué AeraMax PRO sur le filtre et l'intérieur de l'unité. Les flèches devraient pointer vers l'arrière de l'unité.• Consultez la section Procédure de remplacement des filtres pour en savoir plus.• Assurez-vous que le panneau d'accès frontal est complètement fermé.• Assurez-vous que le commutateur d'alimentation est à la position de mise en marche
L'unité émet un faible bruit semblable au mécanisme d'une horloge.	<ul style="list-style-type: none">• Ceci indique que l'ionisateur bipolaire « PlasmaTRUE™ » fonctionne.
L'indicateur de remplacement des filtres HEPA et/ou à charbon actif reste allumé après le remplacement des filtres.	<ul style="list-style-type: none">• Répétez la procédure de réinitialisation des voyants des filtres.

INSTRUCCIONES DE SEGURIDAD/ADVERTENCIA

Gracias por comprar el AeraMax® PRO AM II.

Lea y guarde estas instrucciones. Lea atentamente antes de intentar poner en funcionamiento o realizar tareas de mantenimiento en el producto. Respete la información sobre seguridad para proteger su vida y la de los demás. Si no sigue las instrucciones, se pueden producir lesiones personales o daños materiales. Conserve las instrucciones para referencia futura.

PRECAUCIONES E INSTRUCCIONES IMPORTANTES PARA USAR EL PURIFICADOR DE AIRE:

ADVERTENCIA: Siga las instrucciones de este manual a fin de disminuir el riesgo de choque eléctrico, cortocircuito o incendio:

- No use este purificador de aire como única protección contra los contaminantes peligrosos.
- Use esta unidad solo según lo previsto por el fabricante. Si tiene preguntas, comuníquese con el fabricante.
- No repare ni modifique la unidad a menos que se lo recomiende específicamente en este manual. Un técnico calificado debe realizar todas las reparaciones.
- El enchufe de esta unidad está polarizado con una clavija más ancha que la otra. No fuerce el enchufe para introducirlo en un tomacorriente.
- No altere el enchufe de ninguna manera. Si no cabe en el tomacorriente, inviértalo. Si aun así no cabe, comuníquese con un técnico calificado para que instale un tomacorriente adecuado.
- No use la unidad si el cable o el enchufe están dañados o si la conexión al tomacorriente de la pared está suelta.
- Use con 120V de CA solamente.
- No dañe, rompa, doble con fuerza, jale, tuerza, ate, recubra ni tampoco comprima el cable, no lo coloque debajo de una alfombra ni lo cubra con mantas ni coloque objetos pesados sobre el mismo.
- Quite a menudo el polvo del enchufe. De este modo, reducirá la posibilidad de que se acumule humedad, lo cual aumenta el riesgo de choque eléctrico.
- Si el enchufe está dañado, debe ser reemplazado por el fabricante o un técnico calificado.
- Quite el enchufe del tomacorriente antes de limpiar la unidad. Hágalo sujetando el enchufe, nunca tirando del cable.
- Quite el enchufe del tomacorriente cuando la unidad no esté en uso.
- No manipule el enchufe con las manos mojadas.
- Antes de reparar o limpiar la unidad, apague la alimentación en el panel de servicio. Bloquee el panel de servicio o coloque una etiqueta de advertencia para evitar que se encienda accidentalmente.
- Use solo el cable (voltaje y frecuencia) especificado para el purificador de aire del modelo que se instala.
- No obstruya la entrada ni salida de aire del purificador de aire.
- No use la unidad si los filtros no están instalados.
- No lave los filtros para volver a utilizarlos.
- No use accesorios ni filtros que no sean de la marca AeraMax® PRO ya que si lo hace, la unidad no funcionará.
- No rocíe aerosoles sobre la unidad ni dentro de ella.
- No use detergente para limpiar la unidad.
- No introduzca los dedos ni objetos extraños en la entrada o salida de aire.
- No use la unidad para otros fines que no sean los de purificación del aire.
- Este artefacto no debe ser utilizado por personas con capacidades físicas, sensoriales o mentales diferentes o reducidas o que no posean la experiencia y el conocimiento necesarios para hacerlo funcionar.
- Se debe supervisar a los niños para garantizar que no usen el artefacto como juguete.

GARANTÍA LIMITADA DEL PRODUCTO

Garantía limitada: Fellowes, Inc. ("Fellowes") garantiza que el sistema de control de calidad del aire AeraMax® PRO (el "Producto") no contiene defectos de materiales ni mano de obra durante tres años a partir de la fecha de compra. Si el Producto se instala en una construcción nueva, el período de garantía comenzará en la fecha del permiso de ocupación o un año después de la fecha de compra, lo que ocurra primero. Si se encuentra algún defecto en cualquiera de las piezas durante el período de garantía, la única y exclusiva solución será la reparación o el cambio de la pieza defectuosa, a criterio y cuenta de Fellowes. Esta garantía no cubre los daños producidos por el uso de filtros que no han sido aprobados por Fellowes o por no seguir el calendario de reemplazos recomendado. Esta garantía no rige para casos de abuso, uso indebido, incapacidad de cumplir con las normas de uso del producto, operación mediante una fuente de energía indebida (distinta a la que sale en la etiqueta) o reparaciones no autorizadas. Fellowes se reserva el derecho de cobrar a los consumidores los costos adicionales en los que incurra Fellowes para suministrar piezas o servicios fuera del país en el que un revendedor autorizado haya vendido originalmente el producto. Esta garantía no cubre los filtros que pueden reemplazarse. Si el personal de servicio designado por Fellowes no puede acceder al Producto fácilmente, Fellowes se reserva el derecho de proporcionarle al cliente piezas de reemplazo o Producto en total cumplimiento de sus obligaciones en virtud de esta garantía y de toda obligación de servicio. POR MEDIO DEL PRESENTE, TODA GARANTÍA IMPLÍCITA, INCLUIDA LA GARANTÍA DE COMERCIABILIDAD O ADAPTABILIDAD PARA UN PROPÓSITO ESPECÍFICO, SE LIMITA AL PERÍODO DE DURACIÓN CORRESPONDIENTE DE LA GARANTÍA CONFERIDA ANTERIORMENTE. En ningún caso Fellowes será responsable de los daños indirectos, mediatos o derivados de circunstancias especiales. Esta garantía le confiere derechos legales específicos. La duración, los términos y las condiciones de esta garantía son válidos en todo el mundo, excepto en los lugares donde la legislación local exija limitaciones, restricciones o condiciones diferentes.

CONTENIDO DEL PAQUETE

- Purificador de aire de calidad comercial AeraMax[®] PRO
- Filtro híbrido de 2" (incluye True HEPA de 1" y carbón activado de 1")
- Tornillos para instalar en la pared (4) y soporte de instalación
- Anclajes para mampostería (4)
- Información de registro

ESPECIFICACIONES DEL PRODUCTO

AeraMax[®] PRO AM II	
Dimensiones (A x A x D)	22,3 x 13,7 x 4 pulgadas/56,5 x 34,9 x 10,2 cm
Peso del sistema (con los filtros)	10,6 libras/4,81 kg
Tensión requerida	120 voltios, 60 Hz, 1,37 amperios
Consumo de energía (ventilador de 5 velocidades)	6,90, 9,53, 14,22, 40,09, 70,36 vatios
Entrega de aire (ventilador de 5 velocidades)	35, 43, 51, 64, 100 CFM*
Decibeles	45, 48, 51, 60, 64 dB
Pantalla	Control táctil
Sensores	EnviroSmart [™]
Modos de funcionamiento controlados por sensor	2 modos principales: Modo automático y Modo manual
Filtros suministrados	(1) filtro híbrido de 2" (incluye True HEPA de 1" y carbón activado de 1") con una vida útil estimada para el filtro de un año. (1) prefiltro, ciclo de vida estimado de 3 meses.
Sistema de limpieza	El filtro híbrido incluye filtro de gran eficacia para particulado (HEPA) con capacidad nominal del 99,97 % de particulado en suspensión en el aire de 0,3 micrones. El filtro de carbón absorbe olores y compuestos orgánicos volátiles, ionizador bipolar PlasmaTRUE [™] .
* Probado por CFM con filtro híbrido únicamente y con la máquina en posición vertical	

FILTROS DE REPUESTO

Potenciadores de carbón de 5/8"	Filtros de carbón activado granular adicionales. Vida útil promedio del filtro: 6 meses 9544401 - 2 juegos
True HEPA de 2"	Repuesto de filtro True HEPA con tratamiento AeraSafe [™] . Vida útil promedio del filtro: 2 años 9544301 - 1 paquete
Carbón de 2"	Filtro de reemplazo de carbón activado granular. Vida útil promedio del filtro: 1 año 9544601 - 1 paquete
Híbrido de 2"	True HEPA de 1" y carbón de 1" con filtro de reemplazo híbrido. Vida útil promedio del filtro: 1 año 9544501 - 1 paquete

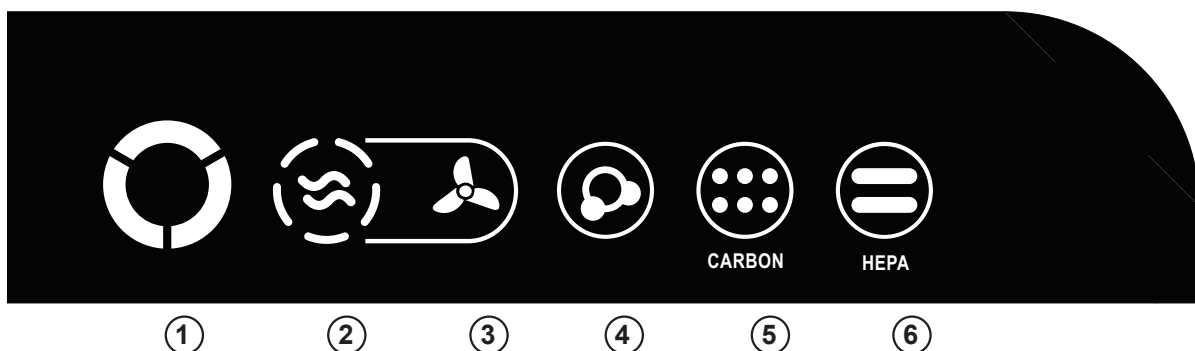
Para obtener más información sobre los filtros de reemplazo y los accesorios, visite: www.aeramaxpro.com

INFORMACIÓN PARA EL USUARIO

Este equipo ha estado sujeto a pruebas y cumple con los límites de dispositivo digital Clase B, conforme a la sección 15 de las Normas de la FCC. Dichos límites se han diseñado para proporcionar una protección razonable contra la interferencia dañina en instalaciones residenciales. Este equipo genera, usa y puede irradiar energía de radiofrecuencia y, si no se instala y usa conforme a las instrucciones, puede ocasionar interferencia dañina en las comunicaciones de radio. No obstante, no se garantiza que no ocurran interferencias en una instalación en particular. Si este equipo provoca interferencias dañinas a la recepción de radio o televisión, que se puede determinar al encender y apagar el equipo, se recomienda al usuario intentar corregir la interferencia a través de la implementación de una o más de las siguientes medidas:

- Cambie la orientación o la ubicación de la antena de recepción.
- Aumente la separación entre el equipo y el receptor.
- Conecte el equipo a la toma de un circuito que no sea a la que está conectado el receptor.
- Consulte al distribuidor o a un técnico de radio/TV especializado para obtener ayuda.

ADVERTENCIA: Los cambios o las modificaciones que no cuenten con la aprobación expresa del fabricante pueden anular la autorización al usuario para utilizar el equipo.



NOTA: después de encender la unidad, la luz de "AQ" parpadeará durante algunos minutos mientras el sistema se calibra automáticamente.

- ① **SENSOR DE CALIDAD DEL AIRE:** este indicador supervisa la calidad del aire y ajusta la velocidad del ventilador para mantener el aire purificado. El color azul indica un nivel bajo de contaminantes detectado, el color ámbar indica un nivel moderado de contaminantes y el rojo un nivel alto de contaminantes.
- ② **MODO AUTOMÁTICO:** para seleccionar este modo, mantenga presionado el botón hasta que se ilumine el icono. Este modo supervisa la calidad del aire, el movimiento y el nivel de ruido para ajustar la velocidad del ventilador y así mantener el aire purificado lo más pronto posible. El ventilador tiene cinco velocidades y puede alcanzar la velocidad turbo para limpiar la habitación en caso de que exista un nivel elevado de contaminantes. La cantidad de marcas iluminadas alrededor de este icono indica la velocidad del ventilador. Este botón también incluye el MODO SILENCIOSO. Para seleccionarlo, manténgalo presionado hasta que la luz se torne morado. La máquina continuará usando la tecnología EnviroSmart™, pero solo usará las 3 velocidades más bajas y más silenciosas de las 5 velocidades del ventilador.
- ③ **MODO MANUAL:** para seleccionar este modo, presione el botón hasta que se ilumine el icono. Este modo le permite elegir una de las cinco velocidades del ventilador y mantener la unidad en esta velocidad hasta que se seleccione el MODO AUTOMÁTICO nuevamente. Los sensores internos no ajustarán la velocidad del ventilador en este modo. La cantidad de marcas iluminadas alrededor del icono de MODO AUTOMÁTICO indica la velocidad del ventilador.
- ④ **TECNOLOGÍA PlasmaTRUE™:** crea un campo ionizado para ayudar a eliminar de forma segura los contaminantes atmosféricos. Para encender y apagar la TECNOLOGÍA PlasmaTRUE™, mantenga presionado el indicador de PLASMA. Una luz azul se ilumina cuando se activa la TECNOLOGÍA PlasmaTRUE™. Para desactivar la TECNOLOGÍA PlasmaTRUE™, mantenga presionado el indicador de "Plasma" hasta que se apague la luz.
- ⑤ **INDICADOR DE REEMPLAZO DE FILTRO DE CARBÓN*:** si la luz es roja, indica que es necesario reemplazar el filtro. El período de reemplazo varía según los filtros utilizados, las horas de uso, la calidad del aire y el nivel de flujo de aire. Para leer descripciones sobre el indicador de reemplazo de filtros, consulte la sección REEMPLAZO DE FILTROS.
- ⑥ **INDICADOR DE REEMPLAZO DE FILTRO HEPA*:** si la luz es roja, indica que es necesario reemplazar el filtro. El período de reemplazo varía según los filtros utilizados, las horas de uso, la calidad del aire y el nivel de flujo de aire. Para leer descripciones sobre el indicador de reemplazo de filtros, consulte la sección REEMPLAZO DE FILTROS.

*Nota: si se utilizan filtros híbridos, se encenderán los indicadores de HEPA y carbón.

FUNCIONAMIENTO

El purificador de aire funciona continuamente en modo automático; El purificador de aire funcionará en los cinco niveles de velocidades para eliminar los contaminantes de la habitación. Una vez limpio el aire y si no hay ningún sensor activado, la unidad pasa al modo de ahorro de energía para reducir el consumo de energía y extender la vida útil de los filtros.

Cuando se selecciona el Modo manual, el indicador Manual del panel de control será de color azul. Este modo lo permite elegir una de las cinco velocidades del ventilador y mantener la unidad en esta velocidad hasta que se seleccione el Modo automático.

INSTALACIÓN

Lea las instrucciones atentamente antes de instalar la unidad.

SEGURIDAD

ADVERTENCIA:

Instale la unidad en un lugar conveniente en relación con el enchufe (longitud aproximada del cable: 5'5").

Para evitar riesgos de electrocución, confirme que el suministro eléctrico esté desconectado o apagado antes de comenzar con la instalación.

Confirme que no haya cables eléctricos, cañerías de servicios ni sistemas de conductos detrás del lugar de instalación/perforación.

Se recomienda colocar al menos dos puntos de montaje si se instala el purificador de aire en un travesaño existente. Se necesitan dos personas para instalar la unidad.

HERRAMIENTAS RECOMENDADAS PARA LA INSTALACIÓN

- Taladro eléctrico y mechas (no se incluyen)
- Destornillador Phillips n.º 2 y destornillador de cabeza plana n.º 2 (no se incluyen)
- Nivel (no incluido)
- Detector de vigas

PAUTAS PARA LA INSTALACIÓN DEL PRODUCTO

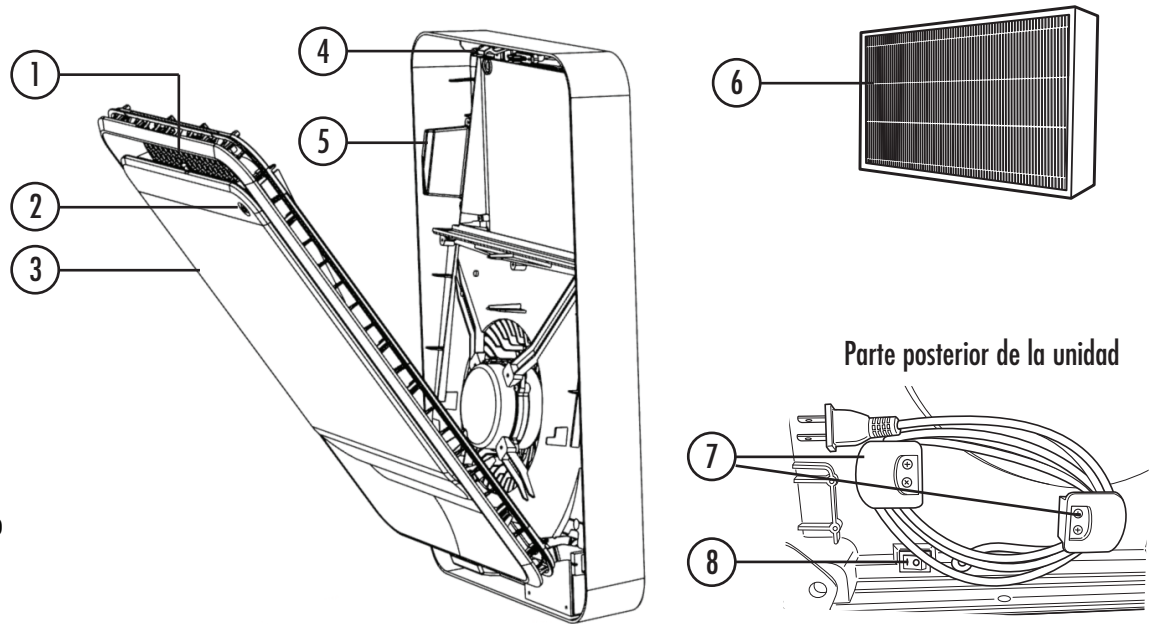
Si desea colocar el purificador de aire en lo alto de la pared, asegúrese de que el borde superior de la unidad quede al menos 8 pulgadas (21 cm) por debajo del techo para poder reemplazar los filtros.

Ley para los ciudadanos estadounidenses con discapacidades (ADA):

Asegúrese de seguir todas las pautas de ADA en relación con "Objetos que sobresalen a una ruta de circulación". Para obtener más información, visite www.ada.gov.

EXPLICACIÓN

1. Panel de control
2. Sensor de movimiento
3. Panel de acceso delantero
4. Palanca del panel de acceso
5. Etiqueta de filtro certificado
6. Filtro híbrido con prefiltro
7. Sujetacable
8. Interruptor de encendido



INSTALACIÓN - Sección CLAVE de referencia

1. Para abrir la unidad, presione la palanca del panel de acceso (4) mientras jala del panel de acceso frontal en dirección a usted.
2. Extraiga la bolsa del filtro y vuelva a colocarlo en la unidad.

INSTALACIÓN DEL MONTAJE PRINCIPAL

1. Elija un lugar donde instalar la unidad ubicado cerca de un tomacorrientes estándar (longitud estimada del cable: 5'5 [1,6m]).
2. Instale el soporte de instalación que se proporciona en la pared con los cuatro tornillos y los cuatro anclajes que se suministran. (Recomendación: Use el nivel para instalar los soportes)

Nota: Se recomienda instalar dos de los cuatro tornillos en un travesaño.

- Si se instala en un travesaño, no es necesario utilizar anclajes.
- Si la unidad se instala en una mampostería u otra superficie que necesite más refuerzo, utilice los anclajes que se suministran.

[Solo para el uso de anclajes] Use el soporte que se suministra para marcar la ubicación de instalación deseada sobre la pared. Para usar anclajes, perforo un orificio de 3/8" (9,5 mm) en los lugares donde se van a realizar los orificios de montaje y coloque los anclajes dentro de la pared. Instale tornillos a través del soporte de montaje y dentro del anclaje.

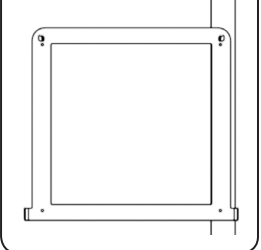
3. Primero, cuelgue la unidad en un ángulo sobre los ganchos superiores del soporte de instalación, tal como lo muestra la imagen.
4. Una vez enganchados los ganchos superiores, presione la parte inferior de la unidad dentro del soporte.
5. Extraiga los filtros de la unidad y quiteles el envoltorio.
6. Coloque las etiquetas que se suministran (2) sobre los orificios de montaje superiores para maximizar el rendimiento.
7. Instale los filtros en la unidad.

Nota: Las "etiquetas de filtro certificado de AeraMax Pro" del filtro deben estar alineadas con la misma etiqueta que se encuentra en la unidad. Si el filtro no está instalado correctamente, la unidad no se encenderá.

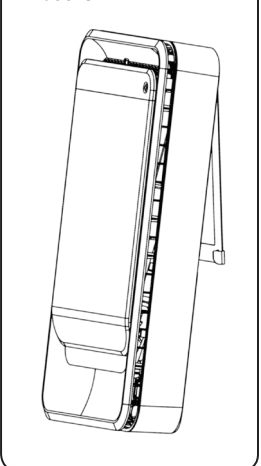
8. Enchufe el cable al tomacorriente estándar.
9. En la esquina inferior derecha de la parte posterior de la unidad está el interruptor que permite encenderla.

Nota: El modo manual no estará disponible durante un minuto en el encendido inicial.

Paso 2



Paso 3



CUIDADO Y MANTENIMIENTO

LIMPIEZA:

- Limpie la carcasa externa según sea necesario con un trapo suave y seco; para limpiar manchas, use un paño humedecido con agua tibia.
- No use líquidos volátiles como benceno, diluyente de pintura, polvo abrasivo u otros limpiadores que puedan dañar la superficie de la unidad.
- Limpie los orificios de entrada de aire y ventilación con un trapo suave y seco.

REEMPLAZO DE FILTROS:

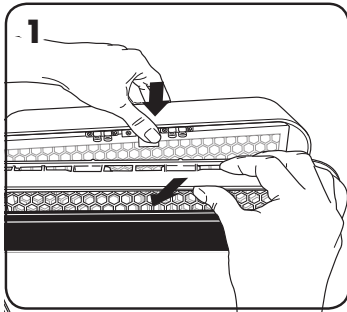
Los indicadores de reemplazo del filtro notifican cuándo se debe cambiar el filtro HEPA o los filtros de carbón. El período de reemplazo varía según las horas de uso, la calidad del aire y el nivel de flujo de aire. Sin embargo, en condiciones de uso normal, la mayoría de los filtros HEPA deben cambiarse una vez al año, mientras que los de carbono deben cambiarse cada 6 meses y los filtros Híbridos cada año. Si es necesario reemplazar un filtro, aparecerá el siguiente color en alguno de los indicadores de reemplazo de filtro HEPA o de carbón:

Ámbar parpadeante = 90 % de desgaste del filtro (se recomienda ordenar filtros nuevos)

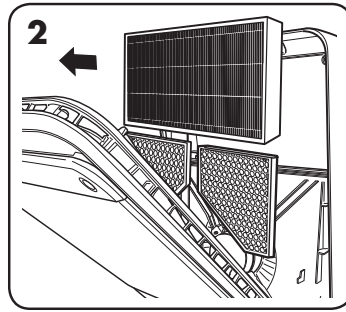
Rojo = desgaste completo del filtro (reemplazar con filtros nuevos)

No lave los filtros para volver a utilizarlos ya que no funcionarán eficazmente. Solo use filtros de reemplazo de la marca AeraMax® PRO ya que, de lo contrario, la unidad no funcionará.

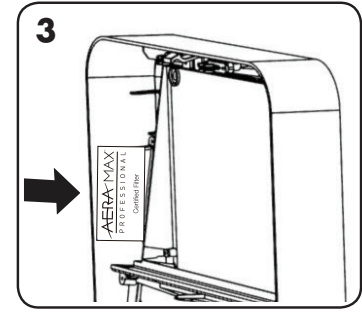
PROCEDIMIENTO PARA EL REEMPLAZO DE FILTROS:



1. Presione la palanca del panel de acceso mientras jala del panel frontal en dirección a usted.



2. Extraiga los filtros viejos. 3. Al colocar filtros nuevos, asegúrese de quitar la bolsa plástica. Cuando inserte el filtro híbrido, asegúrese de que el prefiltro verde esté sobre el lateral de carbono negro e inserte ese lado primero con el filtro HEPA blanco mirando hacia afuera. Al colocar filtros híbridos o HEPA nuevos, alinee las etiquetas de filtro certificado por AeraMax® PRO en el filtro y el interior de la unidad. La flecha debe apuntar hacia la parte posterior de la unidad.



Referencia (5) en la sección CLAVE.

RESTABLECIMIENTO DE LUCES DE LOS FILTROS:

Cuando se instale un filtro nuevo, la unidad detectará automáticamente el tipo de filtro. Sin embargo, el usuario deberá restablecer manualmente los indicadores de reemplazo de filtros. Para restablecer alguno de los indicadores de reemplazo de filtros, mantenga presionado el botón correspondiente al tipo de filtro (HEPA o carbón) hasta que se apague la luz. Repita la operación con los otros tipos de filtro según sea necesario. Al reemplazar filtros híbridos, restablezca las luces indicadoras de HEPA y carbón.

SOLUCIÓN DE PROBLEMAS

PROBLEMA:	POSIBLE SOLUCIÓN:
El sistema de control de calidad del aire no se enciende.	<ul style="list-style-type: none">• Revise para garantizar que la unidad esté conectada al suministro de energía.• Asegúrese de que los filtros sean filtros AeraMax® PRO genuinos. De lo contrario, la unidad no funcionará. IMPORTANTE: Asegúrese de alinear las etiquetas de filtro certificado por AeraMax PRO en el filtro y el interior de la unidad. Las flechas deben apuntar hacia la parte posterior de la unidad.• Revise la sección Método de reemplazo de filtros para leer más detalles.• Asegúrese de que el panel de acceso frontal esté bien cerrado.• Asegúrese de que el interruptor de energía esté encendido.
La unidad hace un sonido casi imperceptible, similar al de un reloj.	<ul style="list-style-type: none">• Esto indica que el ionizador bipolar "PlasmaTRUE™" funciona.
La luz del indicador de reemplazo de filtros HEPA y carbón permanecerá encendida después de reemplazar los filtros.	<ul style="list-style-type: none">• Repita las instrucciones para el restablecimiento de las luces de filtro.

AeraMax[®] Pro AM II



CUSTOMER SERVICE & SUPPORT

www.fellowes.com

U.S.: 1-800-955-0959

Canada: 1-800-665-4339

Mexico: 001-800-514-9057