

## Quick Start Guide Freestyle V3 Pro Accessory Kit (AC930)

Compatible with Freestyle Pro & Edge Keyboards

### Overview

Kinesis' patented "Adjustable V" tenting accessories provide three levels of instantly-adjustable tenting for your Freestyle Pro or Freestyle Edge keyboard.

### What is Tenting?

"Tenting" is the elevation of the center portion of a split keyboard. By raising your thumbs, your forearm muscles become relaxed, resulting in significantly improved comfort and blood flow.

### How does the V3 Pro work?

The V3 Pro Accessory Kit works without palm supports, and clips on and off easily for those who want tenting with a smaller footprint than with the other three-angle tenting accessory, the Freestyle VIP3 Pro, which requires palm supports.

Tenting can be adjusted to 5°, 10°, or 15° and each keyboard module can be set independently. The tenting angle is easy to adjust without detaching the accessory from the keyboard.

*Note: The V3 Pro cannot be used in conjunction with the Freestyle Edge & Pro detachable palm supports. If you would like to tent the keyboard with palm supports installed, you will need to purchase the Lift Kit (AC910, with just the v-lifters) or VIP3 Pro kit (AC920, with v-lifters, palm supports, and self-adhesive palm pads) from Kinesis or from an authorized reseller.*



Figure 1. V3 Pro kit installed on Freestyle Pro keyboard, 10° tenting

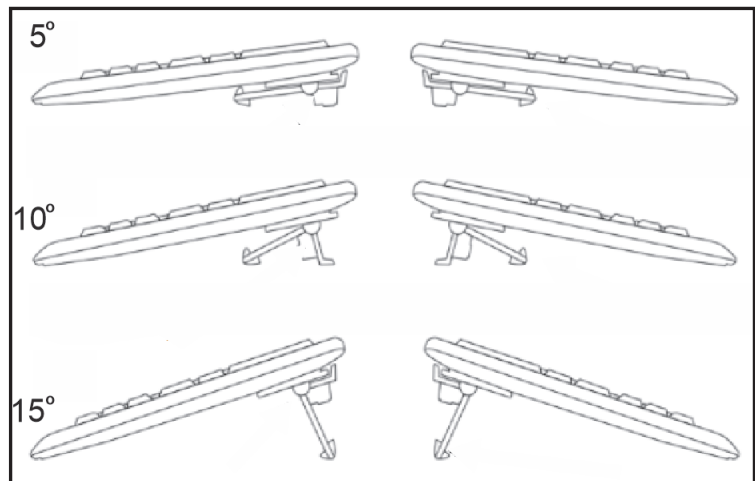


Figure 2. V3 Pro kit installed, showing 3 different tenting angles.

### V3 Pro Contents

Each VIP3 Pro kit contains a pair of left and right V-lifters™ which mount to the front and underside of the keyboard.

*NOTE: The left and right v-lifters are not interchangeable. For stable operation, the left and right v-lifters must be installed on the left and right key modules, respectively.*

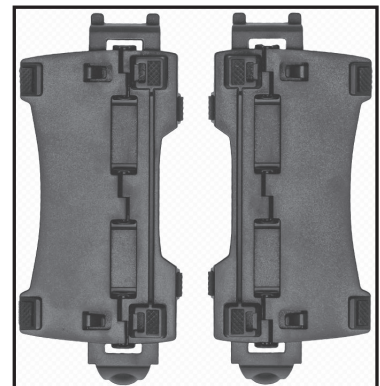


Figure 3. V3 Pro Lifters

## Installing V3 Pro Accessory

**1. Disconnect keyboard:** Unplug the keyboard to avoid accidentally pressing any keys and turn it upside down.

**2. Install the two end tabs:** Identify the left and right v-lifters based on their labels. Match the appropriate lifter and keying module and insert the lifter's two end-tabs at a 90° angle into the square holes on the module's underside (Figure 4). *Note: If you don't insert the end tabs at a 90° angle, the v-lifter may not align properly.*

**3. Snap on the front lip.** Lower the other end of the v-lifter and snap the curved lip over the front lip of the keyboard. The v-lifter should snap securely into place (Figure 5).

**4. Install the other v-lifter.** Repeat to install the other v-lifter

## Removing V3 Pro Kit

1. Unplug the keyboard. You may find it easier to invert the keyboard on a cushioned surface.

2. Push down on the small ridge extending from the front lift of the lifter. Gently release the lifter from the front lip and pivot it away from the underside of the keyboard so the end tabs can be removed from their holes in the underside of the keyboard.

## Adjusting V3 Pro

The V3 Pro can be quickly adjusted to provide 5°, 10°, or 15° tenting (Figure 6). Each v-lifter has two hinged legs which provide 5° tenting when unsnapped (i.e., flat). The legs may be snapped together to form a rigid "V" to achieve 10° & 15° tenting.

**5° tenting:** The VIP3 Pro ships with the legs unsnapped. To convert back to 5° after changing to 10° or 15°, pull the short and long support legs apart to release the snaps. The legs will fold flat from the weight of the keyboard.

**10° and 15° tenting:** Squeeze the two legs together to engage the snaps. To change between the 10° and 15° angles, lift each key module slightly and flip the snapped v-lifter to one of the two positions shown below.

## Tips & Troubleshooting

For best results, start at 5° tenting and as your body adapts, experiment with 10° and 15° to find the setting that works best for you. If the VIP3 Pro feels unstable you may have installed the v-lifters on the incorrect key modules, or the legs may not be fully snapped into place.

## Health Caution

If you experience pain, weakness, or tingling while using a keyboard, consult a qualified health professional.

## Support

For additional support please submit a tech support ticket at <https://www.kinesis.com/support/technical-support/contact-tech/>.

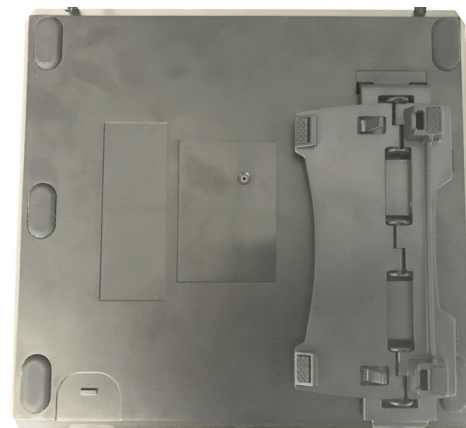


Figure 4. Underside of right module with right V3 lifter installed.

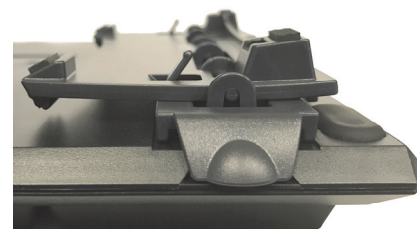


Figure 5. Front view of the installed V3 lifter from Figure 4.

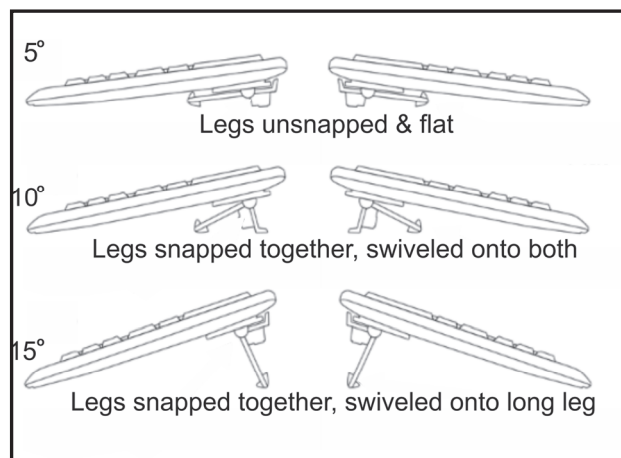


Figure 6. Adjusting the V3 Pro