

Honeywell

CT3x Series

Universal Dock and Standard Accessories

User Guide

Disclaimer

Honeywell International Inc. (“HII”) reserves the right to make changes in specifications and other information contained in this document without prior notice, and the reader should in all cases consult HII to determine whether any such changes have been made. HII makes no representation or warranties regarding the information provided in this publication.

HII shall not be liable for technical or editorial errors or omissions contained herein; nor for incidental or consequential damages resulting from the furnishing, performance, or use of this material. HII disclaims all responsibility for the selection and use of software and/or hardware to achieve intended results.

This document contains proprietary information that is protected by copyright. All rights are reserved. No part of this document may be photocopied, reproduced, or translated into another language without the prior written consent of HII.

Copyright © 2024 Honeywell Group of Companies. All rights reserved.

Web Address: automation.honeywell.com

Trademarks

Other product names mentioned in this manual may be trademarks or registered trademarks of their respective companies and are the property of their respective owners.

Patents

For patent information, see www.hsmpats.com.

TABLE OF CONTENTS

Customer Support	v
Technical Assistance	v
Product Service and Repair	v
Limited Warranty	v
Chapter 1 - Introduction	1
List of Universal Dock and Booted Accessories	2
Agency Models	3
Chapter 2 - Protective Boot.....	5
Out of the Box	5
Attach the Protective Boot.....	5
Remove Protective Boot.....	6
Chapter 3 - Universal Dock Home Base and Ethernet Home Base	9
Features	10
Out of the Box	10
Connect Power	11
Charge the Battery Pack.....	11
Remove the Battery Pack.....	13
Status LED	13
Chapter 4 - Charge Base and Ethernet Base.....	15
Features	15
Out of the Box	16

Connect Power.....	16
Charge the Battery Pack.....	16

Chapter 5 - Universal Dock 5-Bay Charge Base..... 17

Features.....	18
Out of the Box.....	19
Insert the Battery Charger.....	20
Connect Power.....	21
Charge the Battery Pack.....	21
Status LED.....	21

Chapter 6 - Universal Dock Display Dock..... 23

Features.....	23
Out of the Box.....	24
Dock Connectors.....	24
Connect Power.....	24
Connect to Monitor.....	24
Connect to an Ethernet Network.....	24
Connect to a USB Device.....	25
Status LED.....	25
Check Software on Computer.....	25
Insert Computer into the Dock.....	25
Configure the Display Dock Settings.....	26
Set Display Dock Settings.....	26
Set Monitor Settings.....	26
Set Peripheral Settings.....	27
Set Mode Settings.....	27
Connected Devices.....	27
Monitor Connections.....	27
USB Devices.....	28
Clean the Dock.....	28

Chapter 7 - Quad Battery Charger	29
Features	29
Out of the Box.....	30
Connect Power	30
Charge the Battery.....	31
Status LED	31
Chapter 8 - Universal Dock Cups	33
Out of the Box.....	33
Replacing a Universal Cup	34
Chapter 9 - Scan Handle	37
Features	37
Out of the Box.....	38
Attach Scan Handle.....	38
Scan a Bar Code.....	39
Remove Scan Handle	39
Chapter 10 - Wearable Kit	41
Features	41
Out of the Box.....	42
Replacement Parts.....	42
Assemble Wearable Kit.....	43
Scanning Barcodes	45
Remove Wearable Kit.....	45
Replace Rubber Pad.....	46
Cleaning.....	47
Chapter 11 - Mount a Charging Dock	49
Mounting a Charging Dock.....	49

Customer Support

Technical Assistance

To search our knowledge base for a solution or log into the Technical Support Portal and report a problem, go to honeywell.com/PSTechnicalsupport.

Product Service and Repair

Honeywell International Inc. provides service for all of its products through service centers throughout the world. Go to automation.honeywell.com, and then select **Support > Productivity Solutions** to find a service center near you or to get a Return Material Authorization number (RMA #) before returning a product.

Limited Warranty

For warranty information, go to automation.honeywell.com and select **Support > Productivity Solutions > Warranties**.

INTRODUCTION

Honeywell offers a full range of universal and boot-compatible accessories for the CT30 XP and CT37 mobile computers, including:

- Protective Boots ([page 5](#))
- Home Bases and Ethernet Bases for one device and one battery ([page 9](#))
- Charge and Ethernet Bases for up to four devices ([page 15](#))
- 5-Bay Charge Bases with an optional battery charger ([page 17](#))
- Display Docks ([page 23](#))
- Quad Battery Chargers ([page 29](#))
- Scan handle ([page 37](#))
- Replacement Cups for Universal Bases ([page 33](#))

Note: *Throughout this manual, all versions of the mobile device are referred to as the computer unless information is specific to a particular model.*



Caution: We recommend the use of Honeywell accessories and power adapters. Use of any non-Honeywell accessories or power adapters may cause damage not covered by the warranty.

Mise en garde : Il est recommandé d'utiliser les périphériques, les cordons d'alimentation et les adaptateurs secteur conçus par Honeywell. L'utilisation de tout périphérique, cordon d'alimentation ou adaptateur secteur d'une autre marque est susceptible de provoquer des dommages non couverts par la garantie.



Caution: Make sure that all components are dry prior to using the computers and batteries with accessories. Using wet components may cause damage not covered by the warranty.

Mise en garde : Assurez-vous que tous les composants sont secs avant de connecter les terminaux/batteries à des périphériques. L'insertion de composants humides risque de provoquer des dommages non couverts par la garantie.

List of Universal Dock and Booted Accessories

Note: For information on CT30 XP or CT37 RFID Bracket options for your Honeywell RFID reader, refer to the RFID reader user guide. Product documentation is available for download at automation.honeywell.com.

Accessory	Part Number	Use With
Protective Boot	CT30P-PB-XP	CT30 XP
	CT37-PB-x	CT37
Universal Home Base	CT30P-HB-UVN	CT30 XP without boot
	CT30P-HB-UVB	CT30 XP with boot
	CT37-HB-UVN	CT37 without boot
	CT37-HB-UVB	CT37 with boot
Universal Ethernet Home Base	CT30P-EB-UVN	CT30 XP without boot
	CT30P-EB-UVB	CT30 XP with boot
	CT37-EB-UVN	CT37 without boot
	CT37-EB-UVB	CT37 with boot
Universal Charge Base	CT30P-CB-UVN	CT30 XP/CT37* without boot
	CT30P-CB-UVB	CT30 XP/CT37 with boot
	CT37-CB-UVN	CT30 XP/CT37 without boot
Universal Ethernet (Net) Base	CT30P-NB-UVN	CT30 XP/CT37* without boot
	CT30P-NB-UVB	CT30 XP/CT37 with boot
	CT37-NB-UVN	CT30 XP/CT37 without boot
Universal 5-Bay Charger	CT30-5CB-UVN-BAT	CT30 XP/CT37* without boot
	CT30-5CB-UVB-BAT	CT30 XP/CT37* with boot
	CT30P-5CB-UVN	CT30 XP/CT37* without boot
	CT30P-5CB-UVB	CT30 XP/CT37 with boot
	CT37-5CB-UVN-BAT	CT30 XP/CT37 without boot
	CT37-5CB-UVB-BAT	CT30 XP/CT37 with boot
	CT37-5CB-UVN	CT30 XP/CT37 without boot
Universal Display Dock	CT30P-DB-UVN	CT30 XP/CT37* without boot
	CT30P-DB-UVB	CT30 XP/CT37 with boot
	CT37-DB-UVN	CT30 XP/CT37 without boot
Quad Battery Charger	CT30P-QBC	CT30P-BTSC, CT37-BTSC battery pack
	CT37-QBC	CT30P-BTSC, CT37-BTSC, CT37-BTEC battery pack

Accessory	Part Number	Use With
Universal Cup	CT30P-UCP-N	CT30 XP/CT37* without boot
	CT30P-UCP-B	CT30 XP/CT37 with boot
	CT37-UCP-N	CT30 XP/CT37 without boot
	CT37-QBC-UCP	CT30P-BTSC, CT37-BTSC, CT37-BTEC battery pack
Scan Handle	CT30P-SH-00	CT30 XP without boot
	CT30P-SH-UVB	CT30 XP with boot
	CT37-SH-UVN	CT37 without boot
	CT37-SH-UVB	CT37 with boot
Wearable Kit	CT30P-WS-KIT	CT30 XP without boot
	CT37-WS-KIT	CT37 without boot
<p>x = Kit variations. See product Accessory Guide for additional details. * = CT37 with standard (CT37-BTSC) battery only. Note: Unless indicated with *, CT37 models include either the standard (CT37-BTSC) or extended (CT37-BTEC) CT37 battery.</p>		

For a complete list of accessories for your mobile computer and their part numbers see the *Accessory Guide* for your device, available for download at automation.honeywell.com.

Contact your local sales representative for ordering information.

Agency Models

CT30P-QBC, CT37-QBC. CT40-CB, CT40-DB, CT40-EB, CT40-HB, CT40-NB, ME-5Bay-CB

PROTECTIVE BOOT

Honeywell offers the following protective boots: CT30P-PB-XP and CT37-PB-x (x = kit variation).

Honeywell also offers a series of boot-compatible communication and charge accessories that do not require you to remove the protective boot from the device before use.

Note: See [List of Universal Dock and Booted Accessories](#) on page 2 for device compatibility.

Out of the Box

Make sure that your shipping box contains the following:

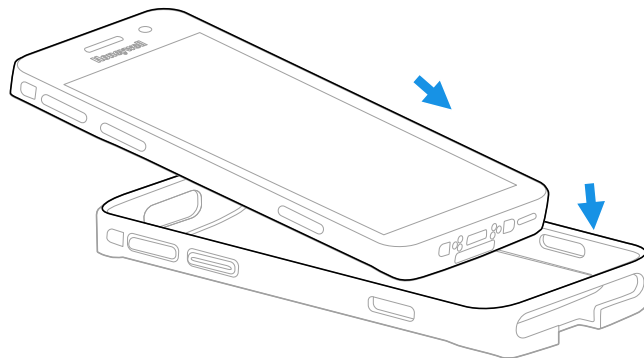
- Protective Boot (CT30P-PB-XP or CT37-PB-x)

If any items are missing or appear damaged, contact your Customer Account Representative. Keep the original packaging in the event that you need to return the Protective Boot or if you want to store it while not in use.

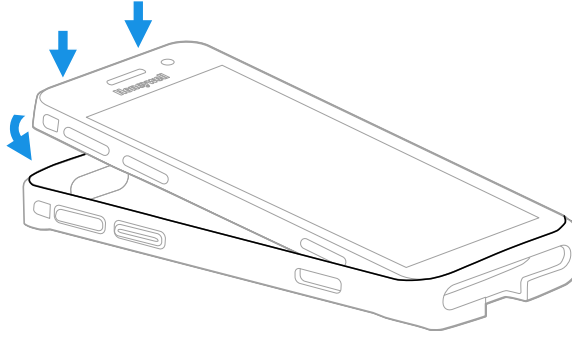
Attach the Protective Boot

Note: In the following images, the CT30 XP is shown for demonstration.

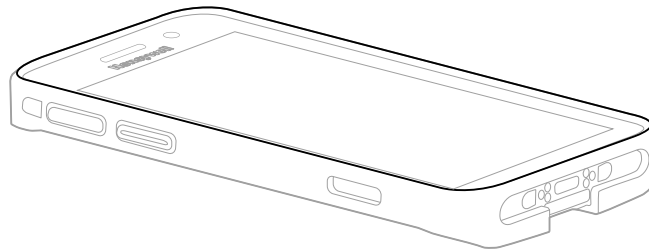
1. Insert the computer into the bottom of the boot.



2. Press down evenly.



3. Verify that the mobile computer fits securely in the protective boot.



Remove Protective Boot

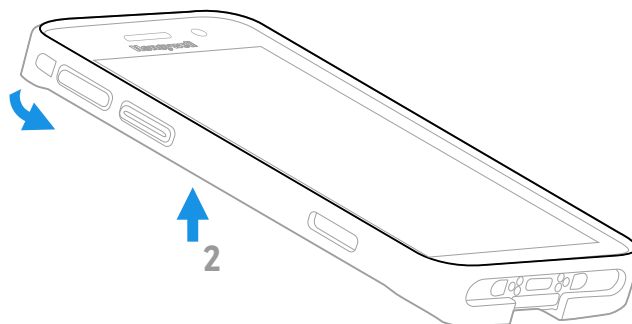
Note: The protective boot does not need to be removed for battery replacement or charging with a compatible base (see page 2).

Routinely inspect the protective boot for damage, and replace if needed. See [page 2](#) to determine the appropriate replacement boot for your computer.

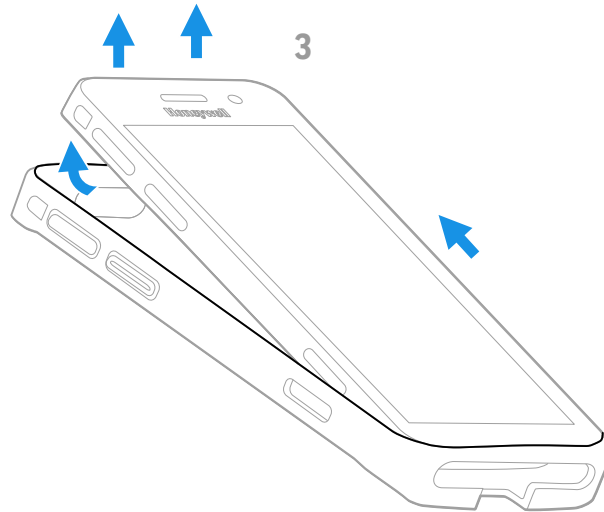
Note: In the following images, the CT30 XP is shown for demonstration.

1. Hold the unit on both sides with the screen facing toward you. Use your thumbs to apply even pressure to the upper lip of the boot.
2. Apply gentle pressure to the back of the unit to release the top of the unit from the boot.

1



3. Lift the unit up and out of the bottom of the boot.



UNIVERSAL DOCK HOME BASE AND ETHERNET HOME BASE

A Home Base is a charge/communication base for one mobile computer and one spare battery. The Home Base has one USB client connector.

An Ethernet Home Base is also a charge/communication base for one mobile computer and one spare battery. However, the Ethernet Base also has an Ethernet connector as well as a USB client connector (Type B).

Note: *Ethernet communication is not supported when a USB cable is connected to the Ethernet base and a host device (e.g., laptop or desktop computer).*

The following Home Bases are boot-compatible:

- CT30P-HB-UVB and CT37-HB-UVB Universal Dock Home Base
- CT30P-EB-UVB and CT37-EB-UVB Universal Dock Ethernet Home Base

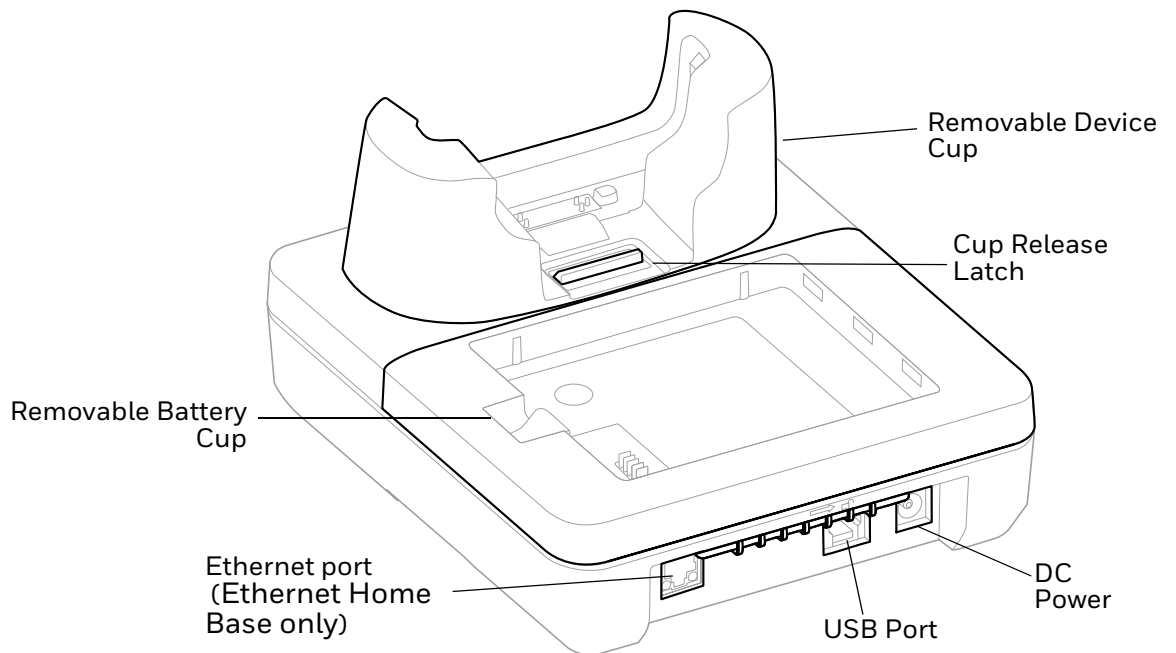
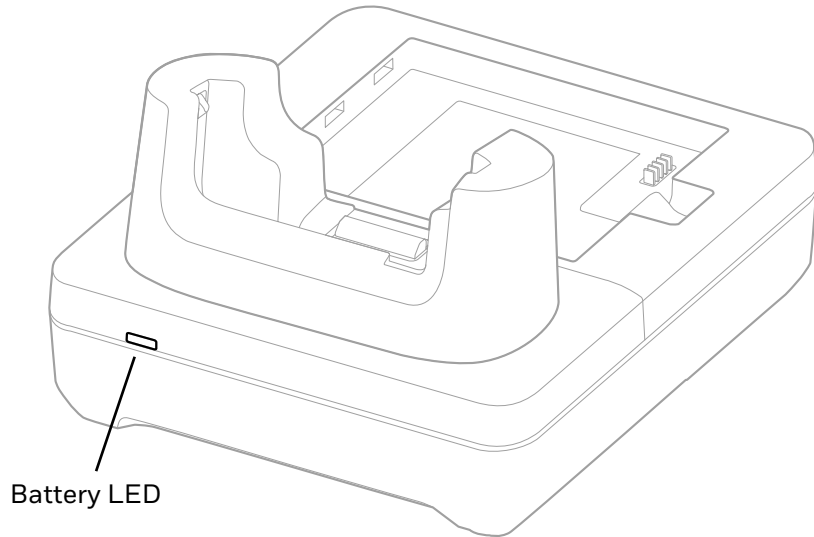
The following Home Bases must be used without a boot attached:

- CT30P-HB-UVN and CT37-HB-UVN Universal Home Base
- CT30P-EB-UVN and CT37-EB-UVN Universal Ethernet Home Base

Note: See [List of Universal Dock and Booted Accessories](#) on page 2 for device compatibility.

Universal bases have removable cups that can be replaced. (See [Universal Dock Cups](#) on page 33.)

Features



Out of the Box

Make sure that your shipping box contains these items:

- Home Base (CT30P-HB-UVN, CT30P-HB-UVB, CT37-HB-UVB, or CT37-HB-UVN)
or

Ethernet Home Base (CT30P-EB-UVN, CT30P-EB-UVB, CT37-EB-UVB, or CT37-EB-UVN)

- Power supply
- Power cord (if purchased)
- Product documentation

If any of these items are missing or appear damaged, contact your Customer Account Representative. Keep the original packaging in the event that you need to return the base for service or if you want to store the charger while not in use.

Connect Power

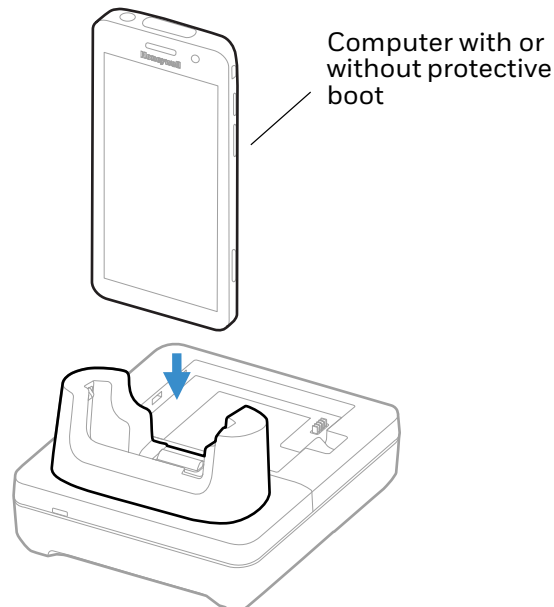
Use only a UL Listed power supply that has been qualified by Honeywell with an output rated at 12V/3A. The power supply input rating is 90-264 VAC, 50/60 Hz. The operating temperature is -10 °C to 50 °C (14 °F to 122 °F). The maximum output of the base is 5VDC/2A.

1. Plug the power cord into the power supply.
2. Plug the power supply cable into the power connector on the back of the base.
3. Plug the power cord into a standard wall outlet.

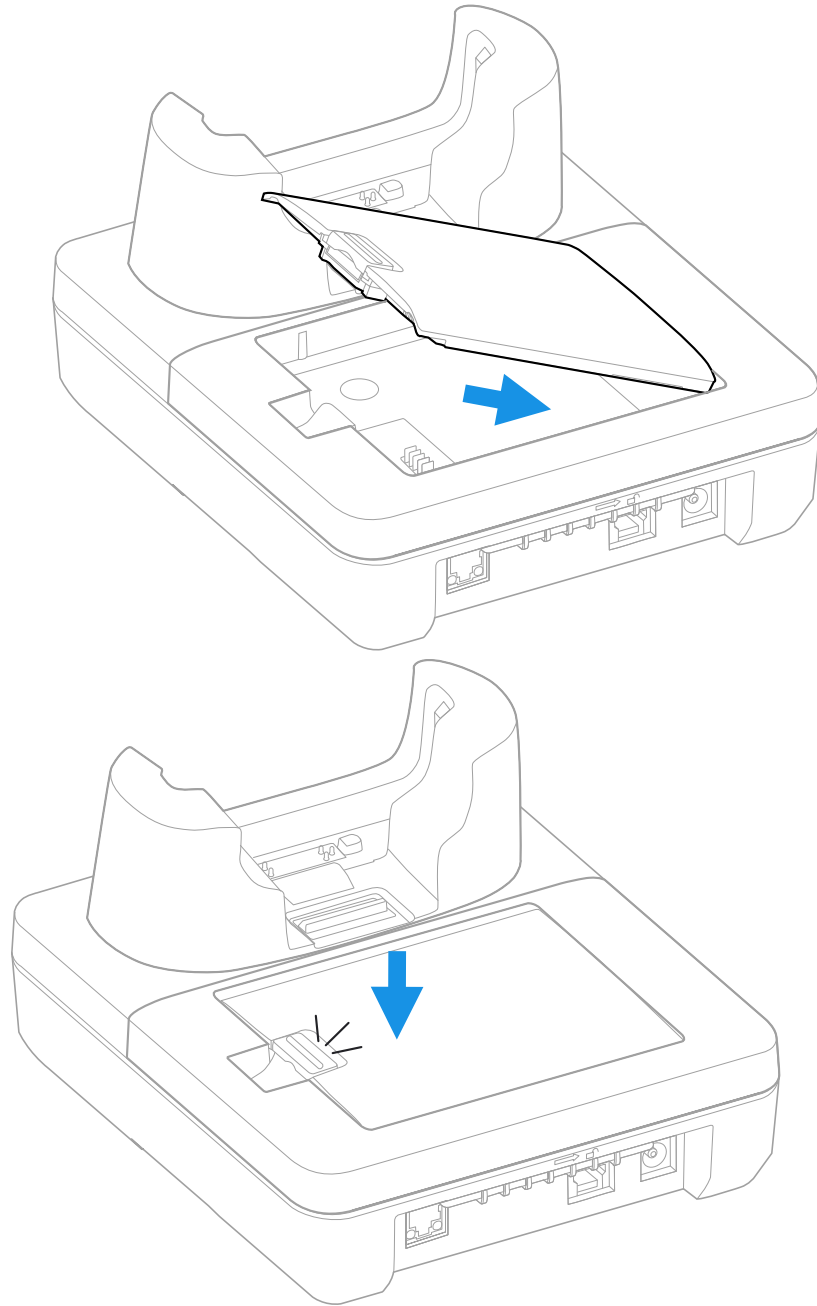
Charge the Battery Pack

Insert computer into Home Base or Ethernet Home Base. Unit will not charge unless a battery is installed.

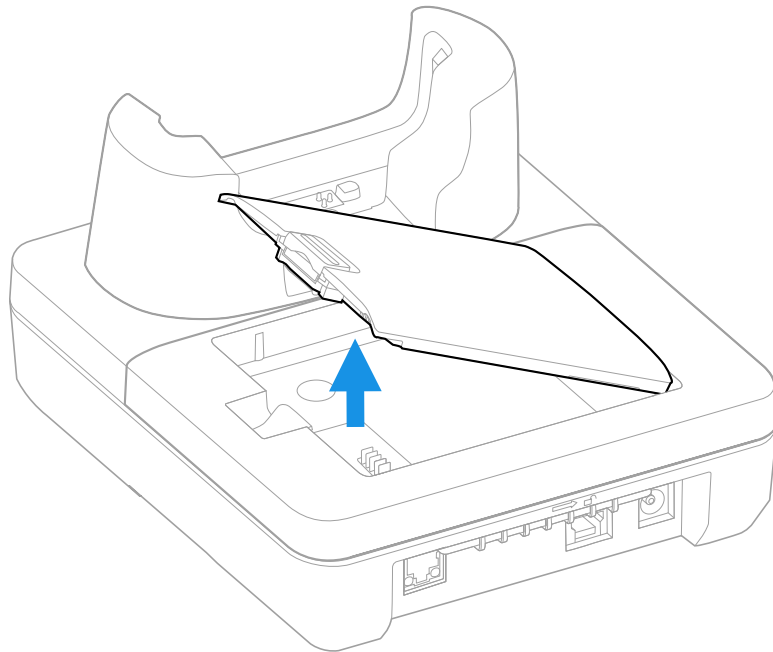
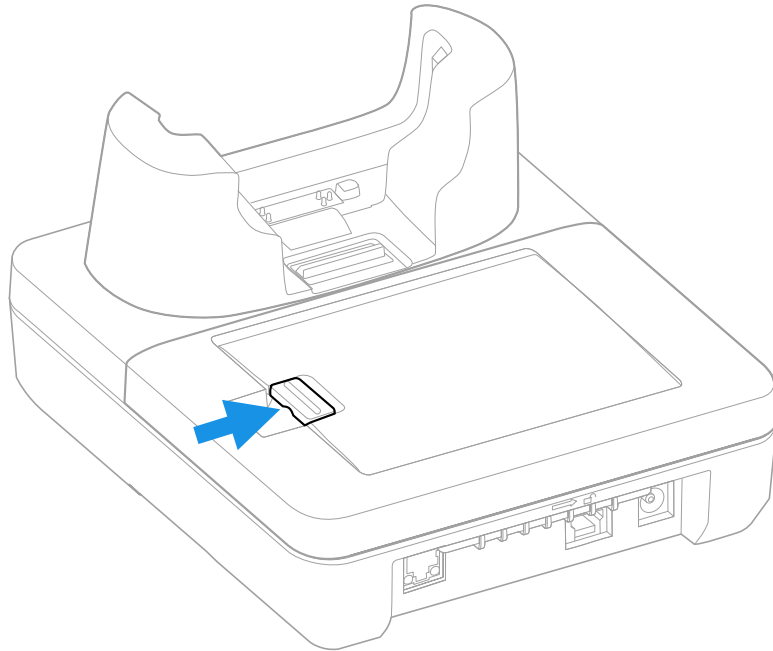
Note: In the following image, the CT30 XP is shown for demonstration.



You can also insert a battery pack into the Home Base for charging.



Remove the Battery Pack



Status LED

LED	Status	Description
Battery	Solid Green	The battery is connected to external power and is fully charged.
	Solid Amber	The battery is connected to external power and is charging.
	Flashing Red	There is a battery charging fault, such as over-temperature.

CHARGE BASE AND ETHERNET BASE

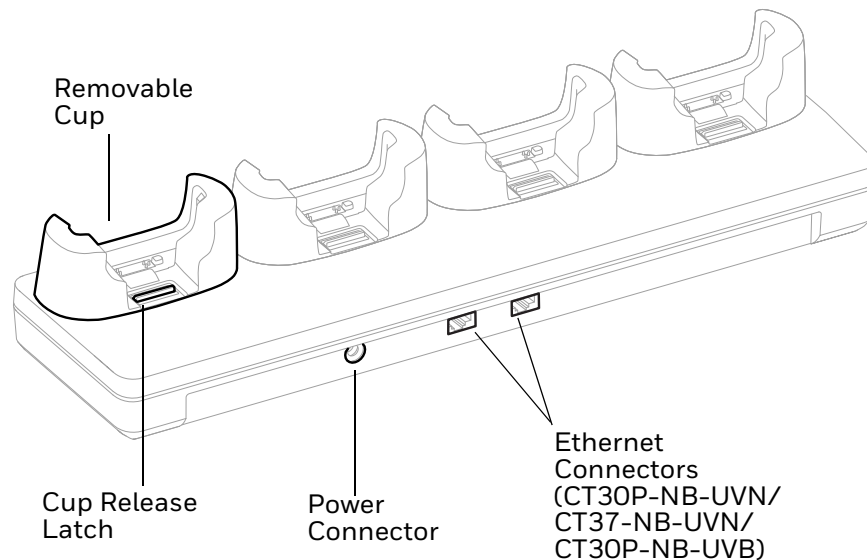
Universal Dock Charge Bases CT30P-CB-UVN, CT37-CB-UVN, and CT30P-CB-UVB charge up to four mobile computers. Model CT30P-CB-UVB is boot compatible.

Ethernet (Net) Bases CT30P-NB-UVN, CT37-NB-UVN, and CT30P-NB-UVB hold four mobile computers and function as both charge and communication bases, with two RJ45 Ethernet ports. Model CT30P-NB-UVB is boot compatible.

Note: See [List of Universal Dock and Booted Accessories](#) on page 2 for device compatibility.

Universal Dock Charge Bases and Ethernet (Net) Bases have removable cups that can be replaced. (See [Universal Dock Cups](#) on page 33.)

Features



Out of the Box

Make sure that your shipping box contains these items:

- Charge Base (CT30P-CB-UVN, CT37-CB-UVN, CT30P-CB-UVB) or Ethernet Base (CT30P-NB-UVN, CT37-NB-UVN, CT30P-NB-UVB)
- Power supply
- Power cord (if purchased)
- Product documentation

If any of these items are missing or appear damaged, contact your Customer Account Representative. Keep the original packaging in the event that you need to return the base for service or if you want to store the charger while not in use.

Connect Power

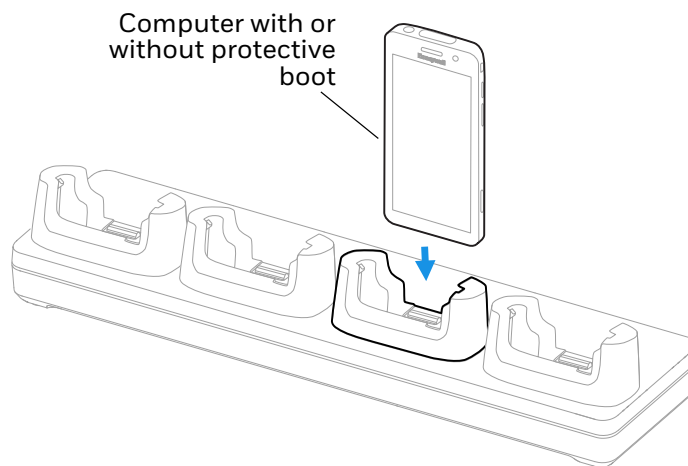
Use only a UL Listed power supply that has been qualified by Honeywell with an output rated at 12V/7A. The power supply input rating is 100-240 VAC, 50/60 Hz. The operating temperature is -10 °C to 50 °C (14 °F to 122 °F).

1. Plug the power cord into the power supply.
2. Plug the power supply cable into the power connector on the back of the base.
3. Plug the power cord into a standard wall outlet.

Charge the Battery Pack

Insert device with battery installed into the Charge Base or Net Base.

Note: In the following image, the CT30 XP is shown for demonstration.



UNIVERSAL DOCK 5-BAY CHARGE BASE

The Universal Dock 5-Bay Charge Base provides the flexibility of charging five units, or four units and four batteries with the battery charger.

Honeywell offers the following 5-bay chargers for the CT30 XP and CT37 mobile computers:

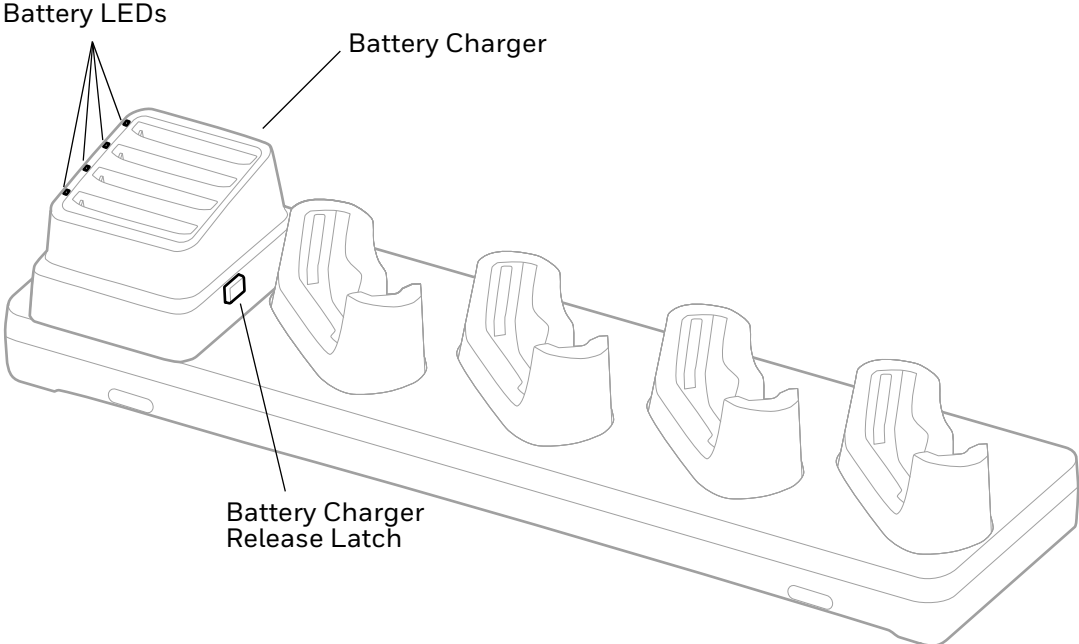
- CT30-5CB-UVN-BAT and CT37-5CB-UVN-BAT with one battery charger and four universal cups for use without a protective boot
- CT30-5CB-UVB-BAT and CT37-5CB-UVB-BAT with one battery charger and four universal cups for use with a protective boot
- CT30P-5CB-UVN and CT37-5CB-UVN with five universal cups for use without a protective boot
- CT30P-5CB-UVB with five universal cups for use with a protective boot

Note: See [List of Universal Dock and Booted Accessories](#) on page 2 for device compatibility.

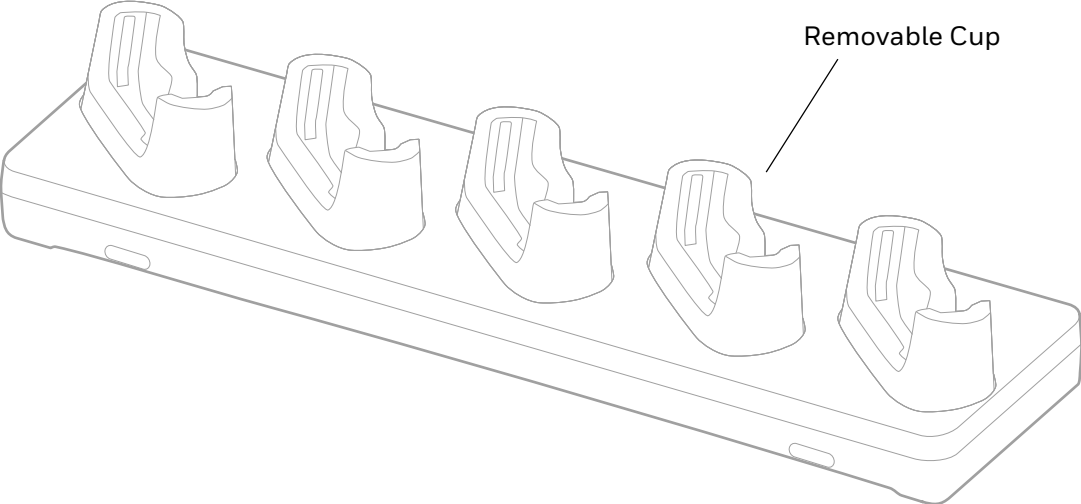
Universal bases have removable cups that can be replaced. (See [Universal Dock Cups](#) on page 33.)

Features

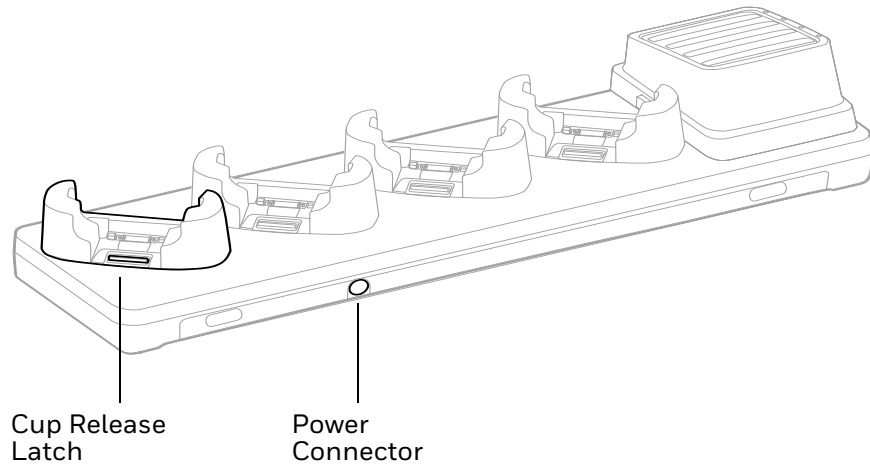
5 Bay Charge Base with One Battery Charger and Four Universal Cups



5 Bay Charge Base with Five Universal Cups



5 Bay Charge Base (Rear View)



Out of the Box

Make sure that your shipping box contains these items:

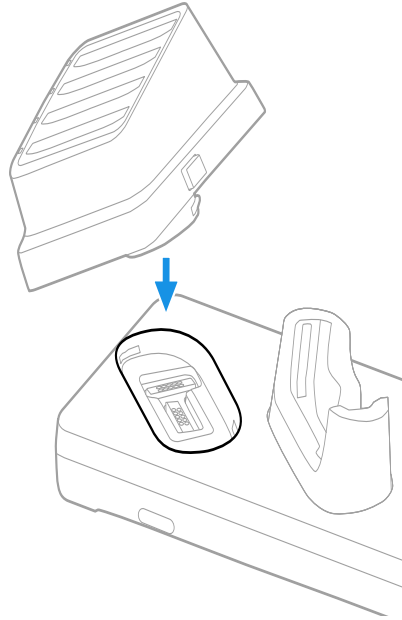
- 5-Bay Charge Base (CT30-5CB-UVN-BAT, CT37-5CB-UVN-BAT, CT30-5CB-UVB-BAT, CT37-5CB-UVB-BAT, CT30P-5CB-UVN, CT37-5CB-UVN, or CT30P-5CB-UVB)
- Power supply
- Power cord (if purchased)
- Product documentation

If any of these items are missing or appear damaged, contact your Customer Account Representative. Keep the original packaging in the event that you need to return the base for service or if you want to store the charger while not in use.

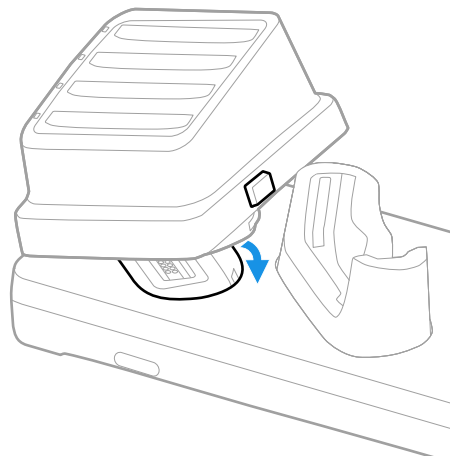
Insert the Battery Charger

Note: The Battery Charger must be installed in the location shown below.

1. Insert the battery charger tilted slightly to the left of the base.



2. Press the latch release button as you push the battery charger down until it snaps in.



Connect Power

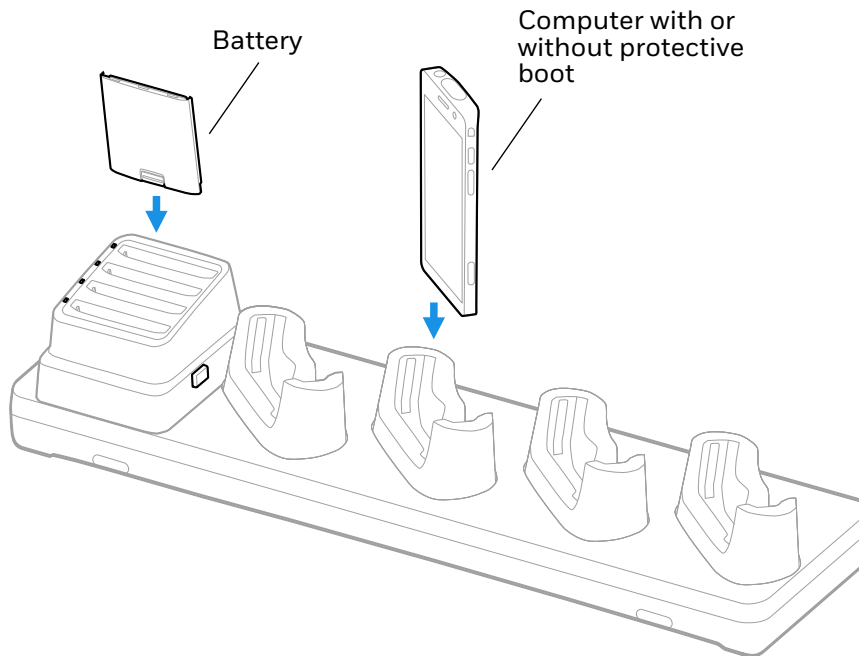
Use only a UL Listed power supply that has been qualified by Honeywell with an output rated at 12V/8.3A. The power supply input rating is 100–240 VAC, 50/60 Hz. The operating temperature is 0 °C to 45 °C (32 °F to 113 °F).

1. Plug the power cord into the power supply.
2. Plug the power supply cable into the power connector on the back of the base.
3. Plug the power cord into a standard wall outlet.

Charge the Battery Pack

Insert device with battery installed into the 5-Bay Charge Base. Or insert battery into the optional battery charger.

Note: In the following image, the CT30 XP is shown for demonstration.



Status LED

LED	Status	Description
Battery	Solid Green	The battery is connected to external power and is fully charged.
	Solid Amber	The battery is connected to external power and is charging.
	Flashing Red	There is a battery charging fault, such as over-temperature.

UNIVERSAL DOCK DISPLAY DOCK

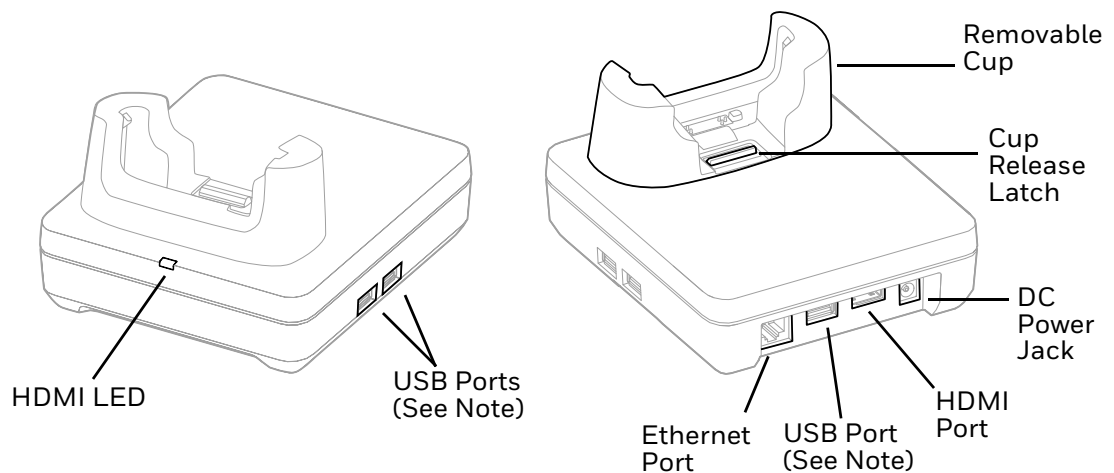
A display dock allows a mobile computer to become a personal computer. A monitor, keyboard, mouse, and audio can be connected through the dock via the USB ports. The dock also provides an Ethernet connection.

- CT30P-DB-UVN and CT37-DB-UVN for use without a protective boot
- CT30P-DB-UVB for use with a protective boot

Note: See [List of Universal Dock and Booted Accessories](#) on page 2 for device compatibility.

Both universal display docks have removable cups that can be replaced. (See [Universal Dock Cups](#) on page 33.)

Features



Note: The display dock supports USB direct connections only. The dock does not support USB hub connections, including keyboards with USB port(s).

Out of the Box

Make sure that your shipping box contains these items:

- Universal Display Dock (CT30P-DB-UVN, CT37-DB-UVN, or CT30P-DB-UVB)
- Power adapter
- Power cord
- Regulatory Sheet

If any of these items are missing or appear damaged, contact your Customer Account Representative. Keep the original packaging in the event that you need to return the base for service or if you want to store the charger while not in use.

Dock Connectors

Connect Power

Use only a UL Listed power supply that has been qualified by Honeywell with an output rated at 12 VDC and 3 A. The power supply input rating is 100-240 VAC, 50/60 Hz. The operating temperature is -10°C to 50°C (14°F to 122°F). The maximum output of the base is 5VDC/2A.

1. Plug the power cord into the power supply.
2. Plug the power supply cable into the power jack on the back of the dock.
3. Plug the power cord into a standard wall outlet.

Connect to Monitor

Note: See [Monitor Connections](#) on page 27 for a list of approved connections.

1. Plug the HDMI cable into the dock.
2. Plug the other end of the HDMI cable into the monitor.

Connect to an Ethernet Network

1. Plug the Ethernet cable into the dock.
2. Place the computer in the dock.

Note: For advanced Ethernet settings, go to automation.honeywell.com for your computer User Guide.

Connect to a USB Device

Note: See [USB Devices](#) on page 28 for a list of approved USB devices.

Note: The dock supports USB direct connections only. The dock does not support USB hub connections, including keyboards with USB port(s).

Plug the USB type A cable into a USB port on the dock.

Status LED

Status	Description
Constant Green	The dock is connected through HDMI.
Off	The dock is not connected or lost connection through HDMI.

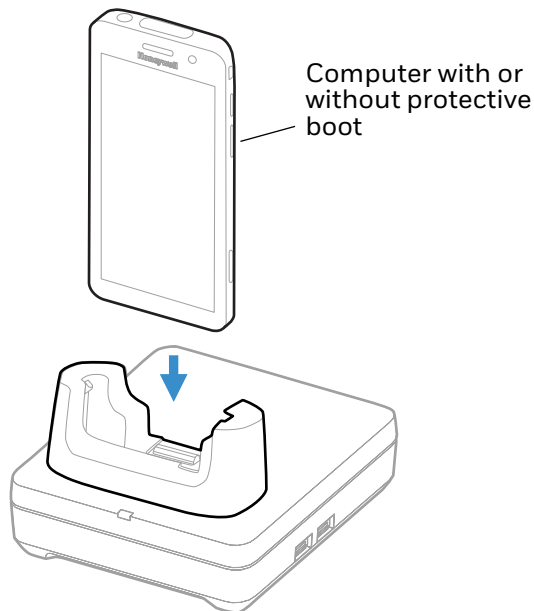
Check Software on Computer

Computers powered by Android 8 or higher have the DisplayLink software installed by Honeywell.

Insert Computer into the Dock

Ensure the computer is fully seated into the dock.

Note: In the following image, the CT30 XP is shown for demonstration.



The first time you insert the computer into the dock, prompts appear on the screen. Follow the prompts on the screen to:

- Set default for DisplayLink Presenter to open when the USB device is connected.
- Start capturing everything that is displayed on your screen.

Note: *These prompts no longer appear when you insert the computer into the dock unless you left “Don’t show again” unchecked.*

The computer will automatically change to landscape and the resolution will update to the monitor settings.

Configure the Display Dock Settings

You can configure the parameters on the computer for the Display Dock using the Display Dock Settings app.

Set Display Dock Settings



The Display Dock Settings app is available from the all apps menu under Settings.

1. Swipe up from the bottom of the Home screen to access all apps.
2. Tap **Settings** > **Honeywell Settings** > **Display Dock**.

Set Monitor Settings

1. Swipe up from the bottom of the Home screen to access all apps.
2. Tap **Settings** > **Honeywell Settings** > **Display Dock**.
3. Choose one of the following options to set the view:
 - Tap **System portrait screen**, to have the computer stay in portrait view.
 - Tap **System landscape screen**, to have the computer stay in landscape view.
4. To set the system resolution, tap **Resolution** and choose one of the available options.
5. To set the density, tap **Density** and choose one of the following options:
 - **160**
 - **240**
 - **320**
 - **400**
 - **480**

Set Peripheral Settings

1. Swipe up from the bottom of the Home screen to access all apps.
2. Tap **Settings** > **Honeywell Settings** > **Display Dock**.
3. To set the right mouse button to the back key, tap **Right mouse button** to toggle the feature on or off.
4. Tap **HDMI audio** to toggle between  **Sound to terminal** or  **Sound to external monitor**.

Set Mode Settings

The Display Dock provides three mode settings. In Primary and Mirror mode, the display on the monitor plugged into the dock is the same as what is on the screen of the mobile computer. In Desktop mode, the display looks and behaves like a desktop workstation, so for example, users can have multiple apps open simultaneously on the desktop.

Note: *The Display Mode cannot be changed while the mobile computer is in the Display Dock.*

1. Swipe up from the bottom of the Home screen to access all apps.
2. Tap **Settings** > **Honeywell Settings** > **Display Dock**.
3. To set the external monitor mode:
 - Select **Primary Mode** to automatically adjust as configured in settings or
 - Select **Mirror mode** to match the terminal's settings.
 - Select **Desktop Mode** to allow the mobile computer to function like a desktop workstation. The mobile device can be used as a second, separate display while in the Display Dock.

Note: *After selecting Desktop Mode, the mobile computer must be restarted for the setting to take effect.*

Connected Devices

Monitor Connections

Supported Devices

- HDMI versions 1.4 and above
- VGA - supported through HDMI/VGA converter
- DVI - supported through HDMI/DVI converter

Non-Supported Devices

- HDMI splitter for two monitors
- Display Port

USB Devices

Supported Devices

- Standard three button mouse with scroll
- Standard QWERTY keyboard without HUB/USB type A ports on the keyboard
- USB headset/USB to 3.5mm audio converter
- USB mass storage devices (thumb drives), not recommended for large transfers (over 1GB)

Non-Supported Devices

- USB Hubs
- USB devices with additional USB type A ports

Clean the Dock

You may need to clean the dock to keep the dock in good working order. Clean the dock as often as needed for the environment in which you are using the dock with a dry soft cloth.

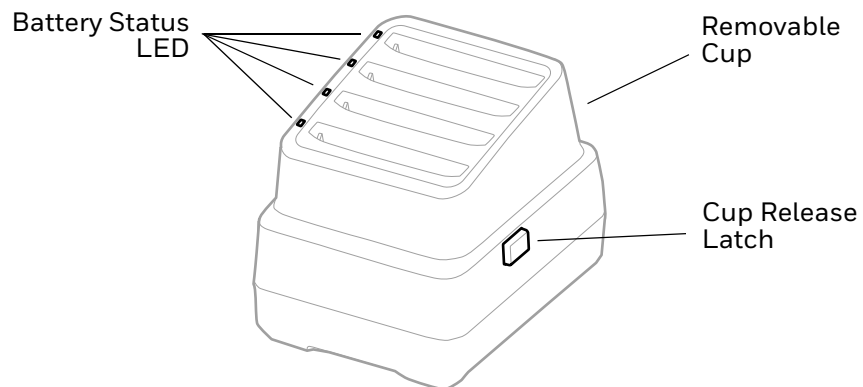
QUAD BATTERY CHARGER

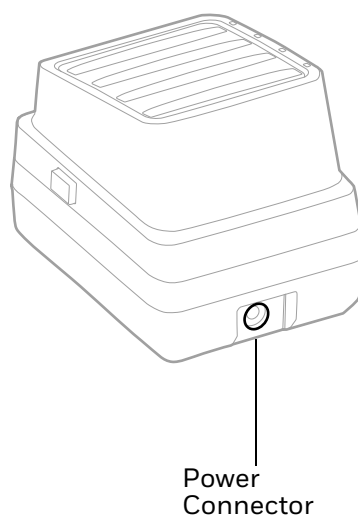
The CT30P-QBC and CT37-QBC Quad Battery Chargers allow for charging up to four batteries.

The CT30P-QBC uses the CT30P-QBC-UCP Battery Universal Dock Cup, and the CT37-QBC uses the CT37-QBC-UCP Battery Universal Dock Cup. Both dock cups can be replaced and are also compatible with the [Universal Dock 5-Bay Charge Base](#).

Note: See [List of Universal Dock and Booted Accessories](#) on page 2 for device compatibility.

Features





Out of the Box

Make sure that your shipping box contains these items:

- Quad Battery Charger (CT30P-QBC or CT37-QBC)
- Power supply
- Power cord (model dependent)
- Product documentation

If any of these items are missing or appear damaged, contact your Customer Account Representative. Keep the original packaging in the event that you need to return the charger for service or if you want to store it while not in use.

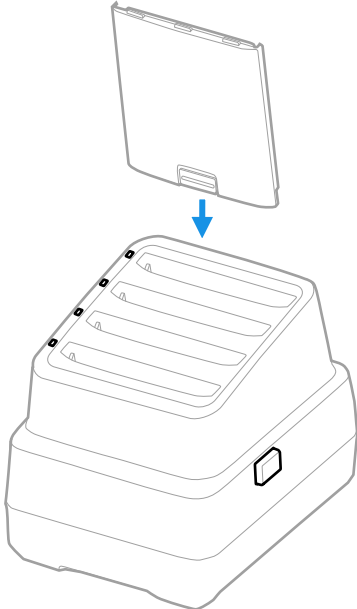
Connect Power

Use only a UL Listed power supply that has been qualified by Honeywell with an output rated at 12V/3A for the CT30P-QBC or 12V/7A for the CT37-QBC. The power supply input rating is 100-240 VAC, 50/60 Hz. The operating temperature is 0 °C to 45 °C (32 °F to 113 °F).

1. Plug the power cord into the power supply.
2. Plug the power supply cable into the power connector on the back of the base.
3. Plug the power cord into a standard wall outlet.

Charge the Battery

Insert one to four battery packs into the charger.



Status LED

LED	Status	Description
Battery	Solid Green	The battery is connected to external power and is fully charged.
	Solid Amber	The battery is connected to external power and is charging.
	Flashing Red	There is a battery charging fault, such as over-temperature.

UNIVERSAL DOCK CUPS

Universal Bases have removable cups that can be replaced with Universal Cups. The 5-Bay Charge Bases can include a removable battery charger that can also be replaced.

- CT30P-UCP-N and CT37-UCP-N are for use with computers without a boot attached
- CT30P-UCP-B is for use with computers with a boot attached
- CT37-QBC-UCP is for charging up to four batteries

Note: See [List of Universal Dock and Booted Accessories](#) on page 2 for device compatibility.

For more information about the universal docks, see:

- [Universal Dock Home Base and Ethernet Home Base](#) (page 9)
- [Charge Base and Ethernet Base](#) (page 15)
- [Universal Dock 5-Bay Charge Base](#) (page 17)
- [Universal Dock Display Dock](#) (page 23)

Out of the Box

Make sure that your shipping box contains these items:

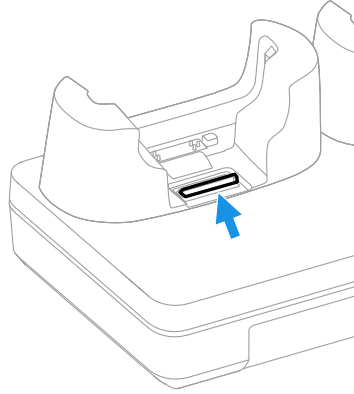
- Universal Cup (CT30P-UCP-N, CT37-UCP-N, or CT30P-UCP-B) or Battery Charger CT37-QBC-UCP

If any of these items are missing or appear damaged, contact your Customer Account Representative. Keep the original packaging in the event that you need to return the cup or if you want to store it while not in use.

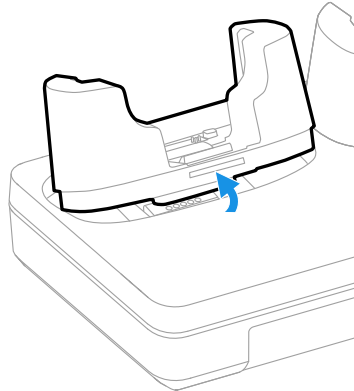
Replacing a Universal Cup

Note: The Universal Charge base is shown in the instructions below for illustration purposes. The steps for removing and inserting a cup are the same for all universal bases.

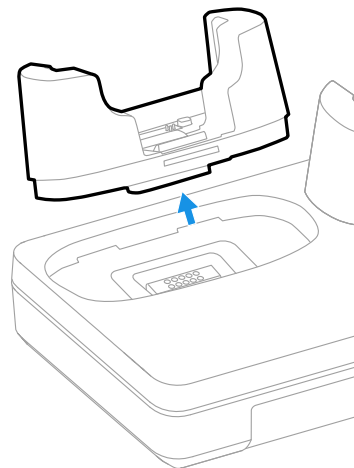
1. Push the latch towards the front of the base.



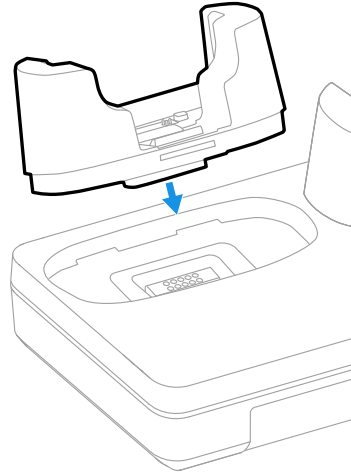
2. Tilt the back of the cup upwards.



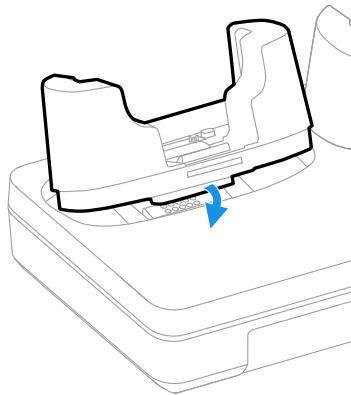
3. Lift the old cup out of the base.



4. Insert the new cup tilted slightly towards the front of the base.



5. Push the cup into the base until it snaps in.



Inserting a Battery Charger

For information about inserting a battery charger in a 5-Bay Charge Base, see [Insert the Battery Charger](#) on page 20.

SCAN HANDLE

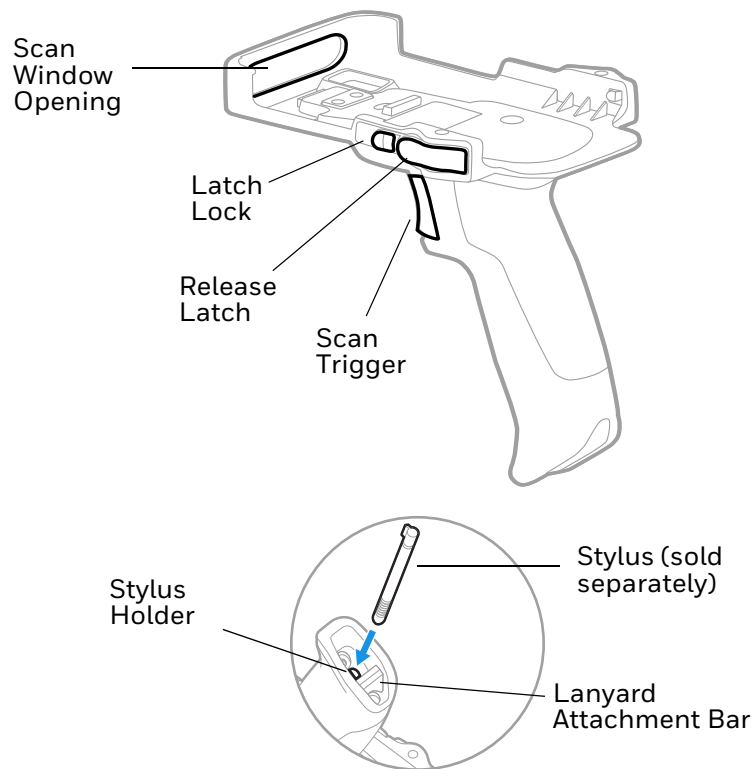
A scan handle attaches to the mobile computer to provide a handle grip and pull-trigger for barcode scanning.

Honeywell offers the following scan handles:

- CT30P-SH-00 and CT37-SH-UVN for use without a boot attached
- CT30P-SH-UVB and CT37-SH-UVB for use with a boot attached

Note: See [List of Universal Dock and Booted Accessories](#) on page 2 for device compatibility.

Features



Out of the Box

Make sure that your shipping box contains the following:

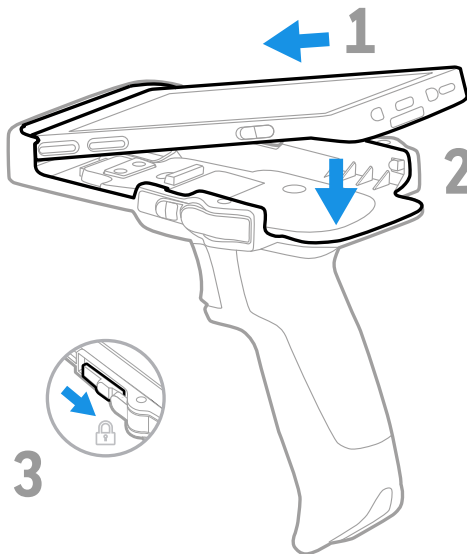
- Scan Handle (CT30P-SH-00, CT30P-SH-UVB, CT37-SH-UVN, or CT37-SH-UVB)
- Lanyard

If any items are missing or appear damaged, contact your Customer Account Representative. Keep the original packaging in the event that you need to return the scan handle for service or if you want to store the scan handle while not in use.

Attach Scan Handle

1. If you are using model CT30P-SH-UVB or CT37-SH-UVB, insert the mobile computer into the protective boot.
2. Insert the top of the mobile computer into the handle at a slight angle.
3. Push the unit down until the latch engages.
4. Slide the latch lock to the right.

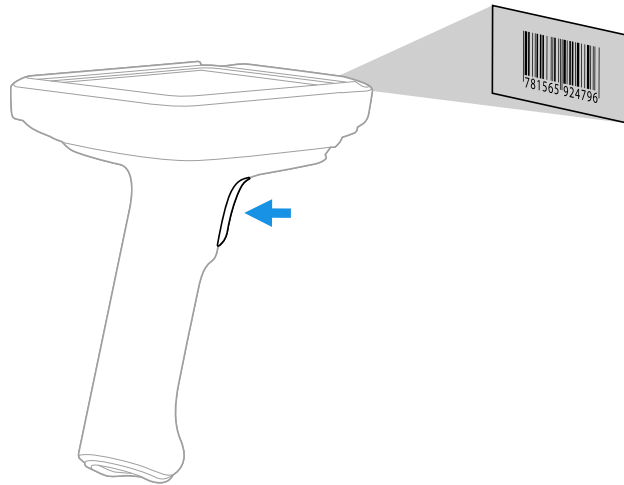
Note: In the following image, the CT30 XP is shown for demonstration.



Note: Remove hand strap before assembly.

Scan a Bar Code

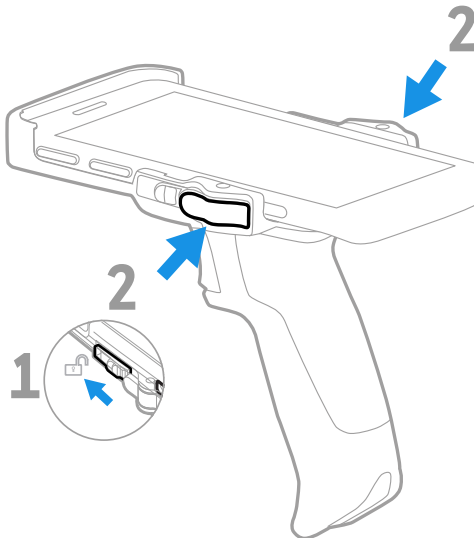
Press the trigger on the handle to scan a bar code.



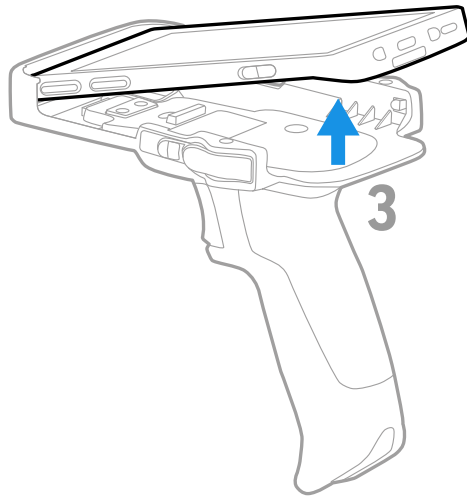
Remove Scan Handle

Note: In the following images, the CT30 XP is shown for demonstration.

1. Slide the latch lock to the left.
2. Press the release latch button on both sides.



3. Lift unit out.



WEARABLE KIT

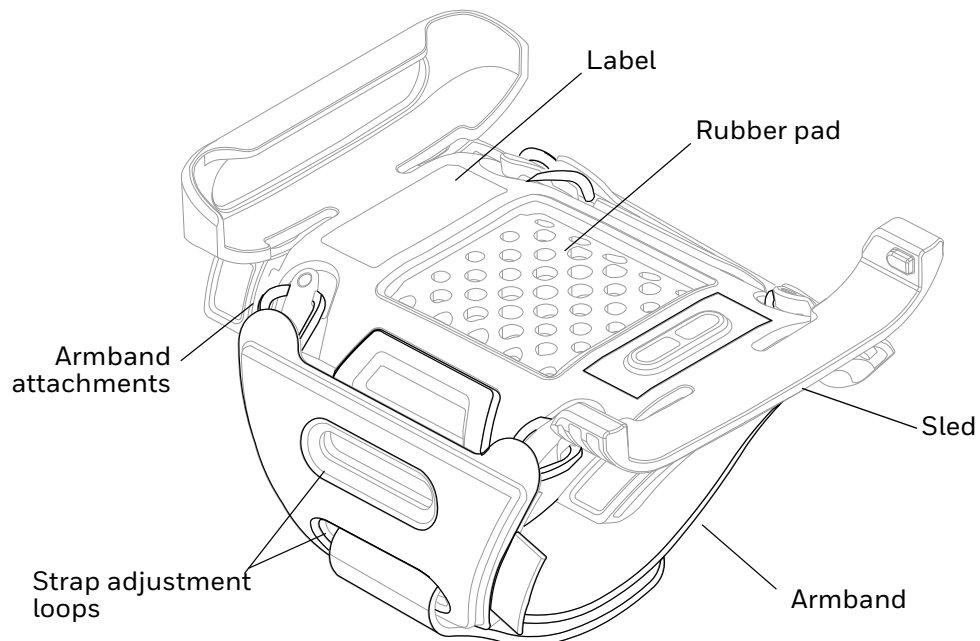
The CT30P-WS-KIT and CT37-WS-KIT Wearable Kits allow the user to mount a mobile computer without a protective boot on either arm. It consists of an arm mount sled and an armband. The sled includes a replaceable rubber pad that helps keep the wearable kit in place.

Note: See [List of Universal Dock and Booted Accessories](#) on page 2 for device compatibility.

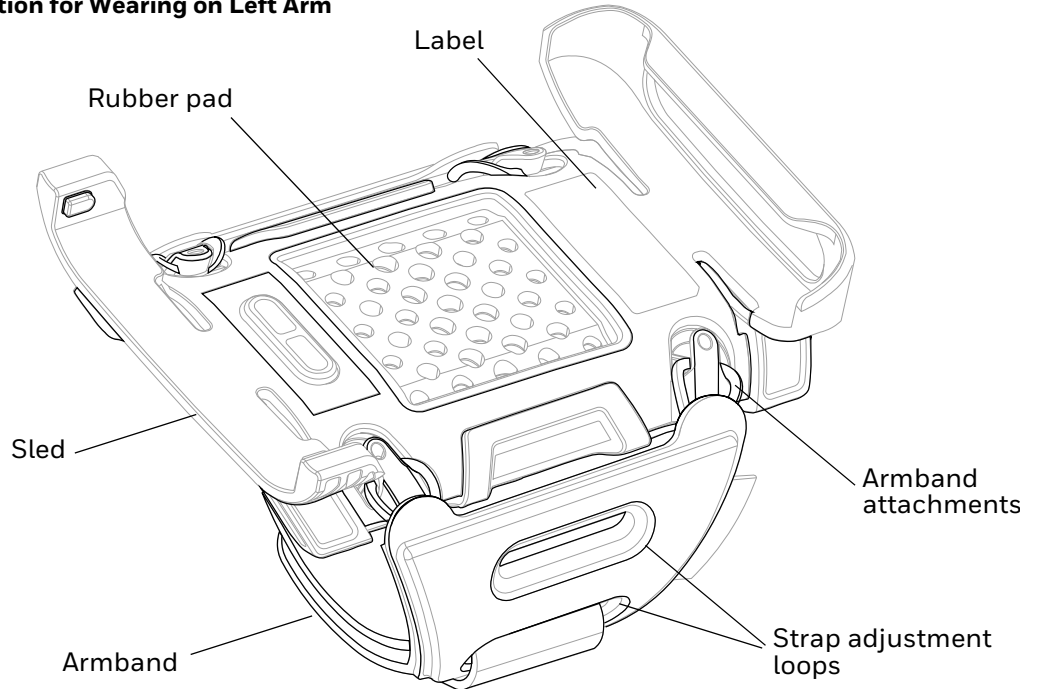
The mobile computer can be charged in any CT30 XP or CT37 charge base with a non-booted Universal Dock cup without removing it from the Wearable Kit.

Features

Orientation for Wearing on Right Arm



Orientation for Wearing on Left Arm



Out of the Box

Make sure that your shipping box contains the following:

- Wearable Kit (CT30P-WS-KIT or CT37-WS-KIT) including sled, rubber pad, and armband

If any items are missing or appear damaged, contact your Customer Account Representative. Keep the original packaging in the event that you need to return the Wearable Kit or store it when not in use.

Replacement Parts

The wearable kit consists of three parts, the sled, rubber pad, and armband, which can be replaced if they become worn or damaged. Use the following part numbers to order replacement parts.

Part	Part Number
Sled	For CT30 XP: CT30P-WS-KIT-03 For CT37: CT37-WS-KIT-03
Rubber pad	For CT30 XP: CT30P-WS-KIT-02 For CT37: CT37-WS-KIT-02
Armband	For CT30 XP: CT30P-WS-KIT-01 For CT37: CT37-WS-KIT-01

Note: When you order a Wearable Kit, the label on the sled will have the part number for the kit (CT30P-WS-KIT or CT37-WS-KIT). When you order a replacement sled, the label will have the sled part number (CT30P-WS-KIT-03 or CT37-WS-KIT-03).

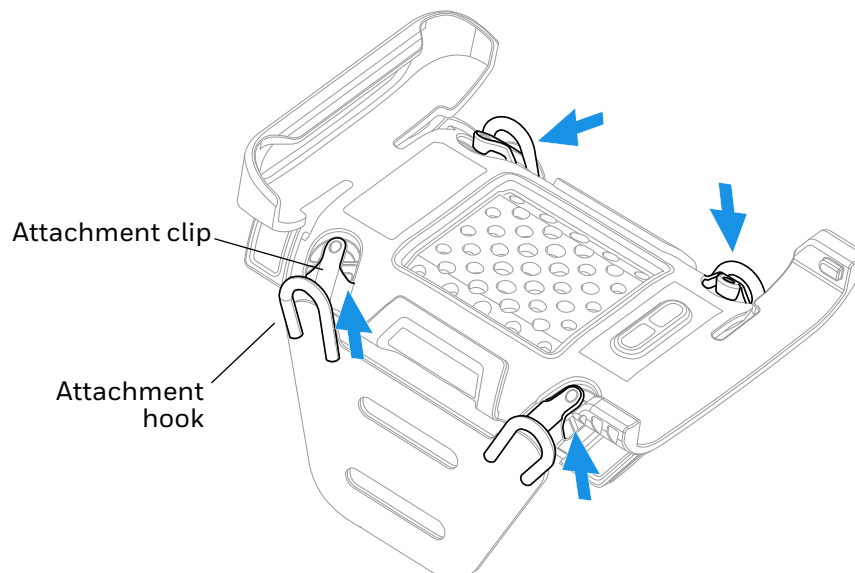
Assemble Wearable Kit

The Wearable Kit is shipped fully assembled with the strap in place to be worn on the right arm. The kit can be worn on either the right or left arm depending on the user's preference.

Note: Remove hand strap from the mobile computer before assembly.

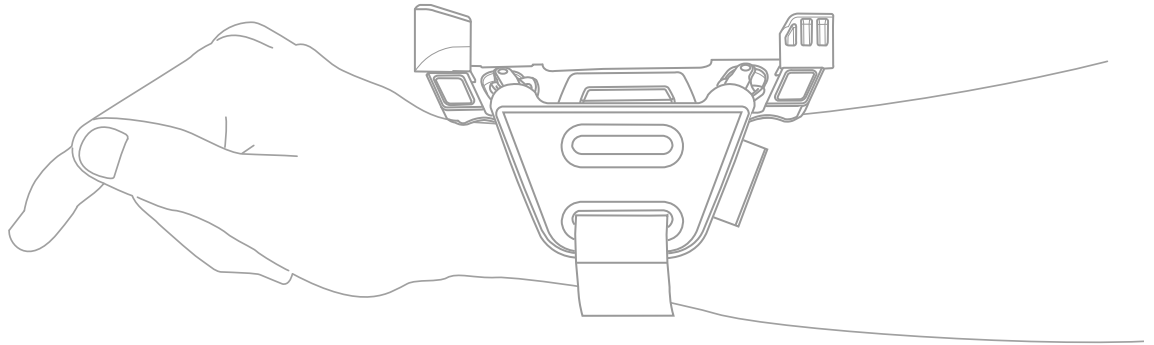
Note: In the following images, the CT30 XP is shown for demonstration.

1. Attach the hooks from the armband to the attachment clips on the sled. The following illustration shows the armband attached for wearing on the right arm. To change arms, simply remove the armband and reverse the way it is oriented.

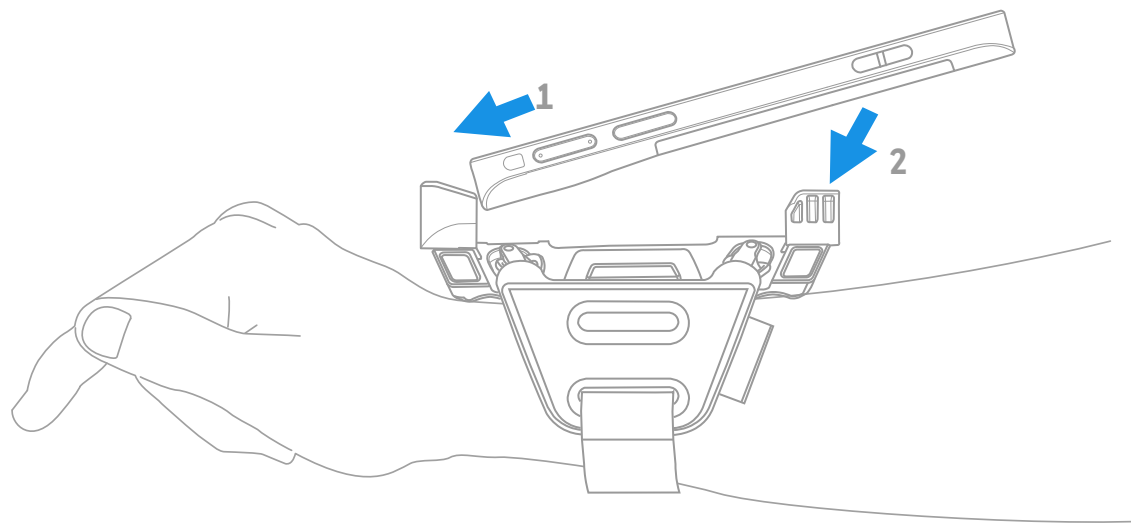


2. Place the sled on top of your arm.

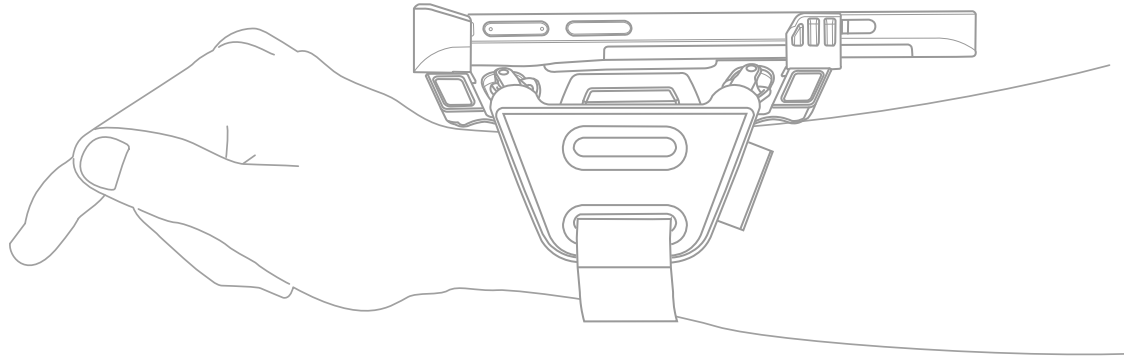
3. Pull the end of the strap through the adjustment loop. You can adjust the length of the strap by using the top or bottom loop.
4. Tighten the strap around the arm so that the sled is held firmly in place in a comfortable position.
5. Fold the strap over and secure with the hook-and-loop tape.



6. Insert the top of the computer into the sled then push the bottom down until it clicks into place.



7. Verify that the computer is firmly seated in the sled.



Scanning Barcodes

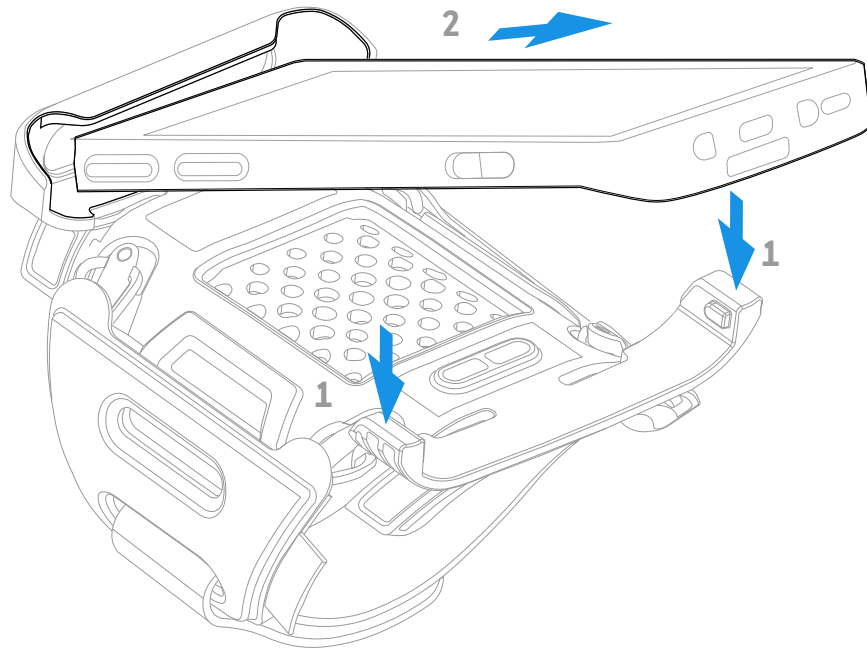
When a CT30 XP or CT37 mobile computer has been installed in the wearable kit, it can be used to scan barcodes using either the computer's integrated imager or by pairing it with a Bluetooth scanner such as the 8675i Wearable Scanner.

For more information on scanning or pairing a mobile computer with a Bluetooth device, see the computer's User Guide. For details on using a Bluetooth scanner, see the User Guide for the selected device. Product documentation can be downloaded from automation.honeywell.com.

Remove Wearable Kit

1. To remove the Wearable Kit, loosen the strap. It is not necessary to remove the strap from the adjustment loop.
2. Remove the wearable kit from your arm.
3. Place the wearable kit on a table or other flat surface.
4. Push down on the clips on both sides of the sled to release the mobile computer and lift it out of the sled.

Note: In the following image, the CT30 XP is shown for demonstration.

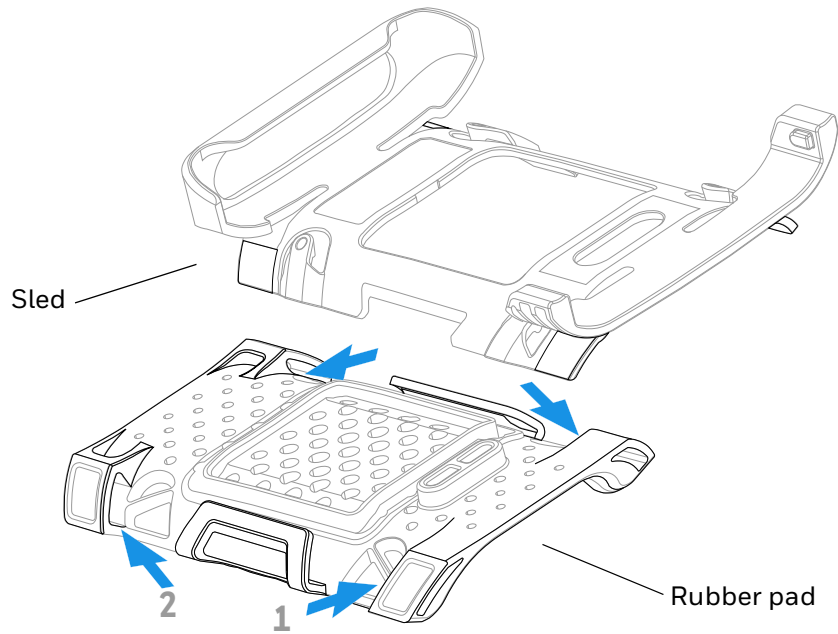


Replace Rubber Pad

The rubber pad on the Wearable Kit can be replaced if necessary due to wear or damage.

Note: *The rubber pad should always be used with the Wearable Kit to ensure that the kit stays in place on your arm.*

1. Remove the existing pad by sliding off the middle flaps then removing the front and back ends.
2. Insert the sled's rear feet into the rear slots on the new pad.



3. Insert the sled's front feet into the front slots on the pad.
4. Fold the middle flaps over the sled.

Cleaning

All parts of the Wearable Kit can be cleaned between uses with a non-abrasive, damp cloth and a mild dish soap solution.

Allow all parts to air dry completely before use.

MOUNT A CHARGING DOCK

Mounting a Charging Dock

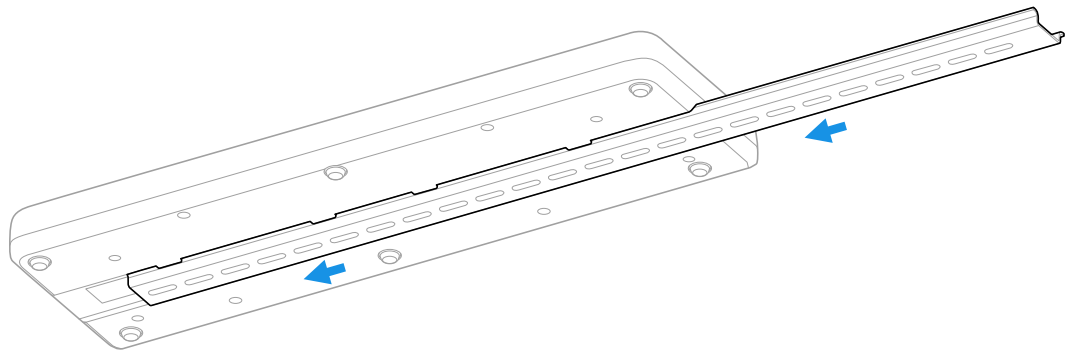
You can mount charge docks and the Quad Bay Battery Charger on a flat, horizontal surface such as a desktop or workbench with an optional DIN rail.

Mounting hardware required:

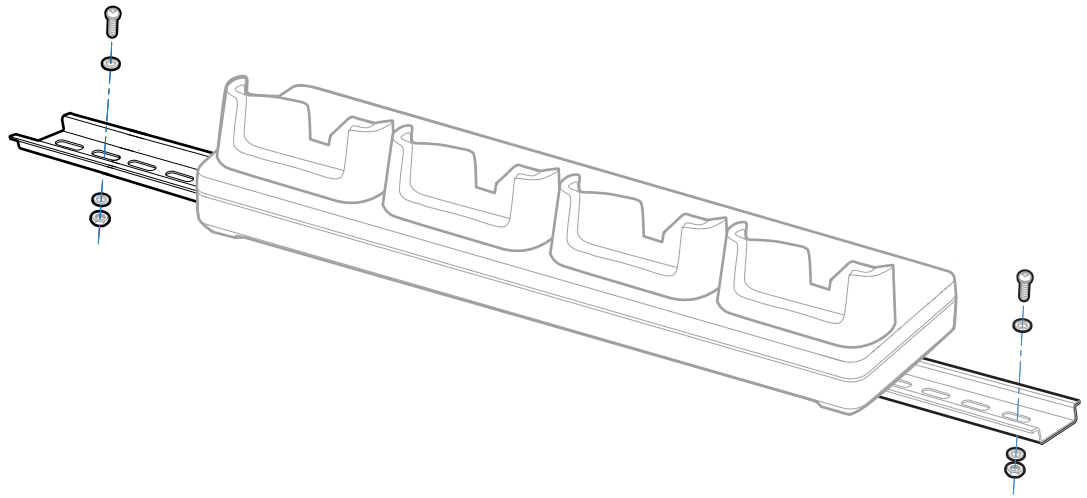
- DIN rail
- 3/16-inch diameter x 5/8-inch long pan head screw
- 1/2-inch OD x 7/32-inch ID x 3/64-inch thick washer
- 3/16-inch diameter nut

Note: A Charge Base is shown in the instructions below for illustration purposes. The mounting steps are the same for all CT30 XP or CT37 docks and chargers.

1. Slide the DIN rail into the slot on the bottom.



2. Secure the DIN rail to the flat surface with the hardware.



Note: Charging cup appearance may differ depending on model.

Honeywell
855 S. Mint Street
Charlotte, NC 28202

automation.honeywell.com