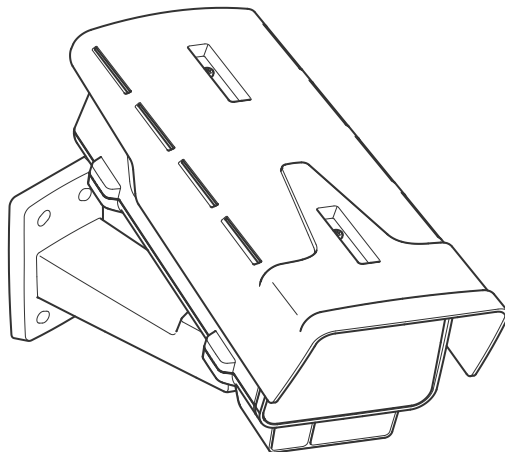


AXIS P13-E Series

AXIS P1375-E Network Camera

AXIS P1377-LE Network Camera

AXIS P1378-LE Network Camera



Repainting instructions

AXIS P13-E Series

Impact on warranty

Impact on warranty

This product is approved for repaint by Axis, provided that you follow the instructions in this document and at axis.com/warranty-implication-when-repainting.

Risks with repainting

There are several risks when disassembling or assembling an Axis product. There is always a certain yield loss during assembly. Training of operators and the use of correct tools mediates some of the problems but they can never be fully avoided. Some of the risks include:

ESD Damage – Always handle the product in an ESD safe environment. Even if precautions are taken there is always a risk of ESD damage. The damage can remain undetected and cause problems during the lifetime of the equipment.

Dust contamination – Opening a camera may expose the lens and sensor to dust or paint. Dust will affect the optical performance. Lenses need to be disassembled in a dust-free environment, preferably a cleanroom.

Paint overspray – Masking the different components of the equipment is critical. Failure to mask sensitive areas can cause problems with assembling the equipment. Any areas that are not painted at factory or have a different surface treatment than the rest of the parts (threads, ground and electrical contact surfaces) must also be masked to ensure function.

AXIS P13-E Series

Repaint the product

Repaint the product

Preparations

- If applicable, disassemble the device according to the instructions in this document.
- Clean all parts that will be repainted thoroughly to remove grease, dust, or oil.
- To ensure reassembly and functionality of the product, mask any openings (for example for screws, LED indicators, or microphones) before you paint.
- To avoid unwanted reflections, mask the inside of the weathershield before you paint.

Pretreatment of parts

Depending on the part material and type of coating applied at factory, pretreatment might be necessary for the new coating to adhere well. Before you apply a new coating, we recommend the following pretreatment:

1. If necessary, roughen up the surface with a light sandpaper or similar to increase adhesion. Alternatively, remove the original coating down to base material.
2. Clean the parts properly to remove oil, grease, and dust.
3. If necessary, apply a primer layer suitable for the specific material to increase adhesion to the parts. For outdoor products, we recommend a primer to improve corrosion resistance.

We recommend pretreatment of parts made of the following materials:

- powder coated
- wet painted
- anodised
- chromated
- stainless steel
- other metal
- plastic

Materials used in this product

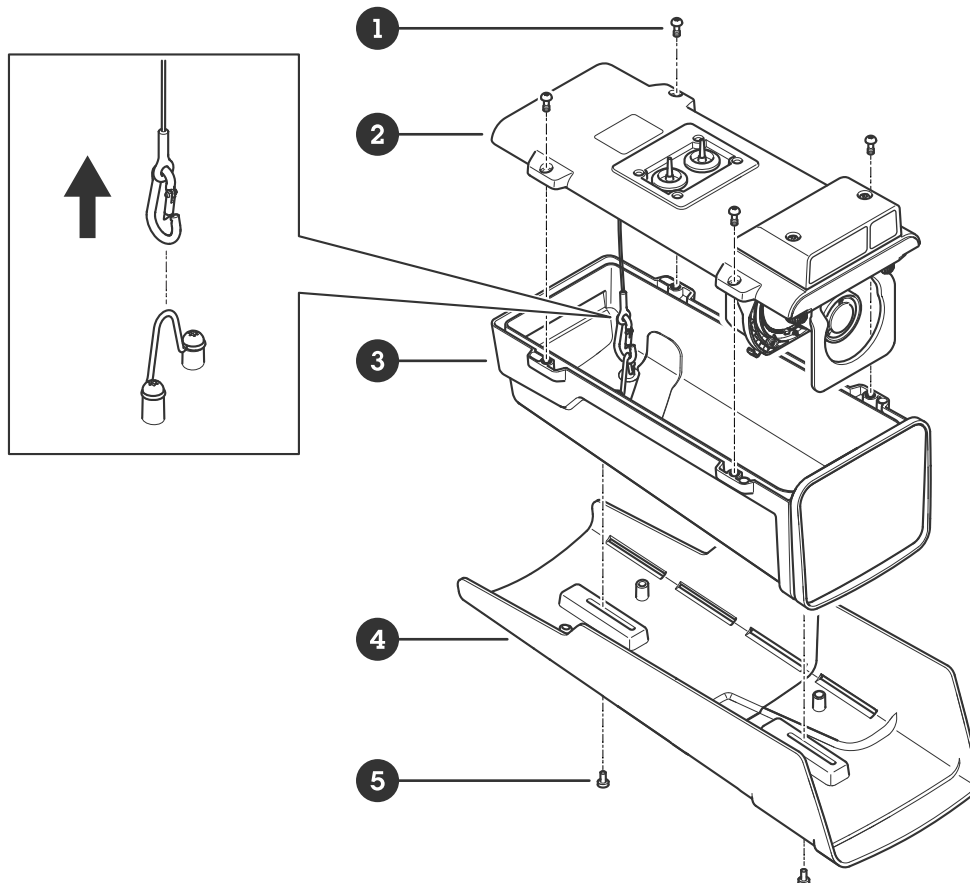
- The weathershield and top cover is plastic.
- The rest of the product is powder coated.

AXIS P13-E Series

Repaint the product

Disassembly

Disassemble the housing



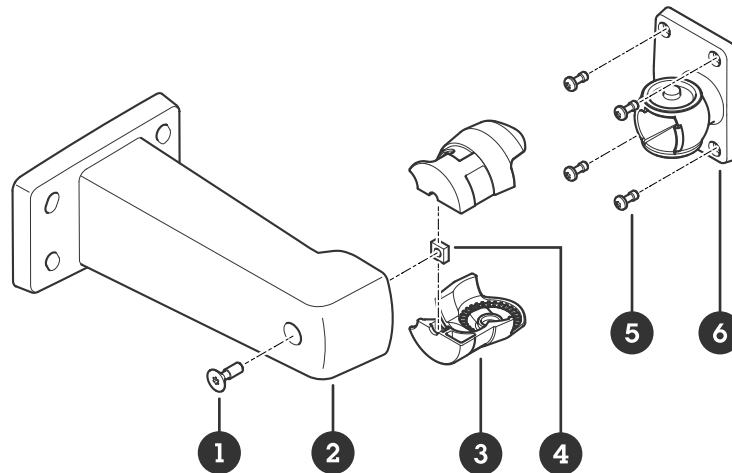
- 1 Screw T20 (4x)
- 2 Bottom chassis
- 3 Top cover
- 4 Weathershield
- 5 Screw T20 (2x)

1. Remove the 4x screws and the bottom chassis.
2. Disconnect the safety wire.
3. Remove the top cover.
4. Remove the 2x screws and the weathershield.

AXIS P13-E Series

Repaint the product

Disassemble the wall mount bracket

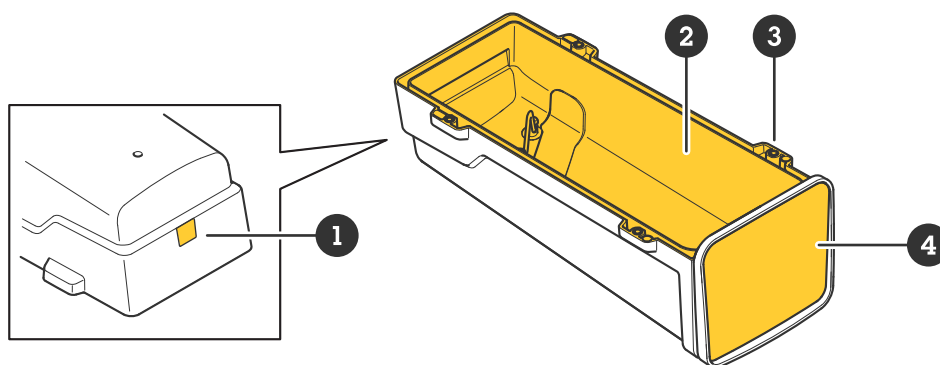


- 1 Screw T30
- 2 Arm
- 3 Socket
- 4 Square nut
- 5 Screw T20 (4x)
- 6 Ball joint

1. Remove the T30 screw at the bottom of the arm.
2. Separate the socket and the square nut and remove the ball joint.
3. Remove the 4x screws from the ball joint.

Masking

Masking the top cover



- 1 Label
- 2 Inside
- 3 Screw holes (4x)
- 4 Front window

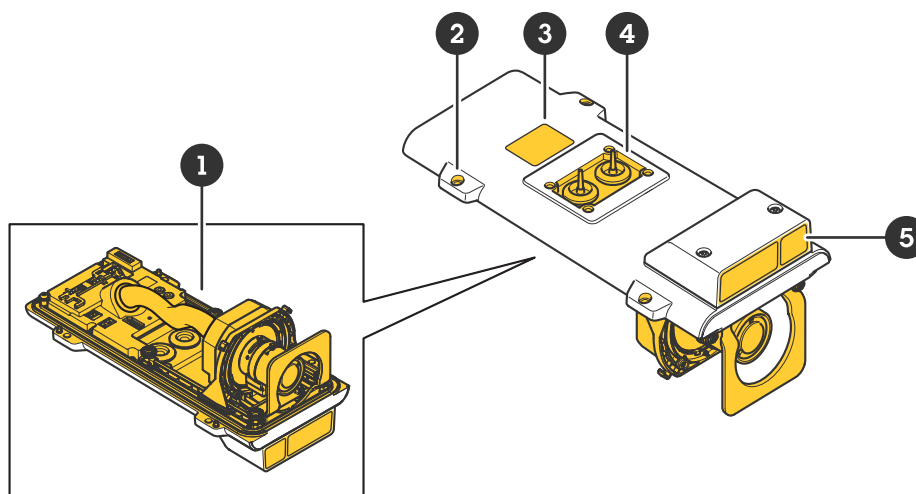
AXIS P13-E Series

Repaint the product

Mask the following parts of the top cover:

1. The label.
2. Everything on the inside.
3. The screw holes.
4. The front window including the black areas.

Masking the bottom chassis



- 1 *Top side*
- 2 *Screw holes (4x)*
- 3 *Label*
- 4 *Wall mount surface*
- 5 *Illuminator front glass*

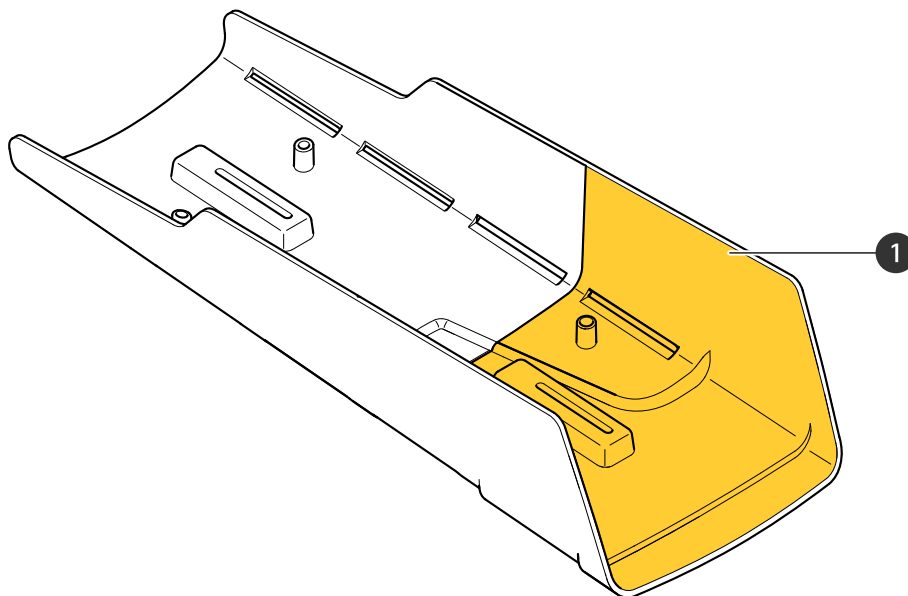
Mask the following parts of the bottom chassis:

1. Everything on the top side of the bottom chassis, including the gasket and the front heater.
2. The screw holes.
3. The product label.
4. The surface under the adapter for the wall mount.
5. The Illuminator front glass.

AXIS P13-E Series

Repaint the product

Masking the weathershield



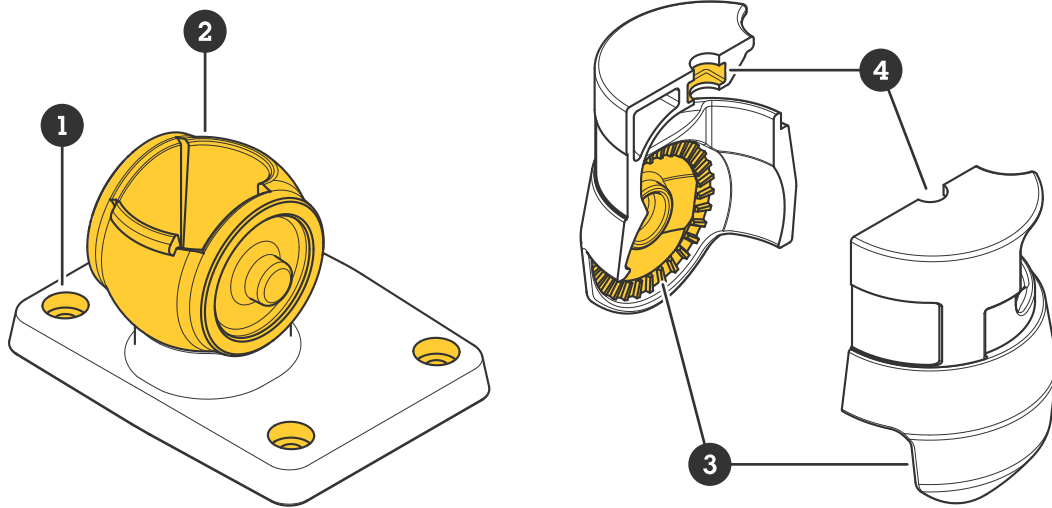
1 Black

Mask the black part of the weathershield.

AXIS P13-E Series

Repaint the product

Masking the wall mount bracket



- 1 Screw hole (4x)
- 2 Ball joint
- 3 Socket teeth
- 4 Slot

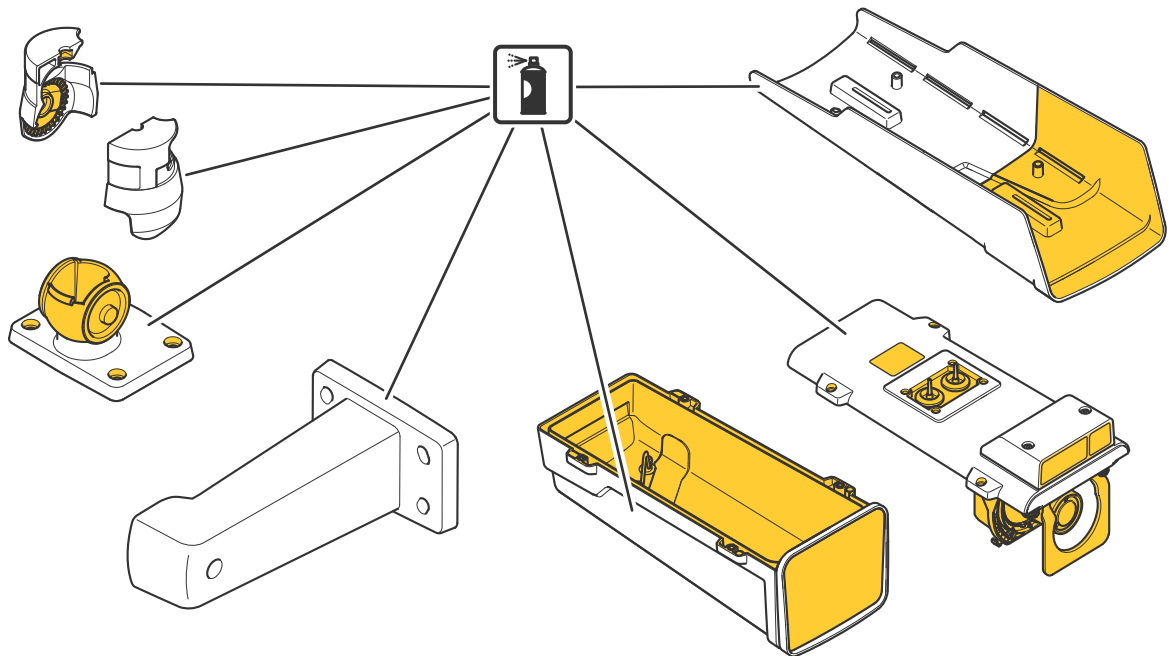
Mask the following parts:

- 1. The four screw holes
- 2. The ball joint.
- 3. The socket teeth.
- 4. The slot for the square nut.

AXIS P13-E Series

Repaint the product

Repainting



1. Apply a thin and even layer of spray paint according to the instructions of the paint manufacturer.
2. Let the paint dry.
3. To get a better coverage and clearer color, apply a second layer of spray paint.
4. When the paint is dry, remove the masking and reassemble the product.

Reassembly

Reassemble the product.

For more information, see the Installation Guide available at axis.com

