

AXIS Q36 Dome Camera Series

AXIS Q3626-VE Dome Camera

AXIS Q3628-VE Dome Camera

Repainting instructions

AXIS Q36 Dome Camera Series

Impact on warranty

Impact on warranty

This product is approved for repaint by Axis, provided that you follow the instructions in this document and at axis.com/warranty-implication-when-repainting.

Risks with repainting

There are several risks when disassembling or assembling an Axis product. There is always a certain yield loss during assembly. Training of operators and the use of correct tools mediates some of the problems but they can never be fully avoided. Some of the risks include:

ESD Damage – Always handle the product in an ESD safe environment. Even if precautions are taken there is always a risk of ESD damage. The damage can remain undetected and cause problems during the lifetime of the equipment.

Dust contamination – Opening a camera may expose the lens and sensor to dust or paint. Dust will affect the optical performance. Lenses need to be disassembled in a dust-free environment, preferably a cleanroom.

Paint overspray – Masking the different components of the equipment is critical. Failure to mask sensitive areas can cause problems with assembling the equipment. Any areas that are not painted at factory or have a different surface treatment than the rest of the parts (threads, ground and electrical contact surfaces) must also be masked to ensure function.

AXIS Q36 Dome Camera Series

Repaint the product

Repaint the product

Preparations

- If applicable, disassemble the device according to the instructions in this document.
- Clean all parts that will be repainted thoroughly to remove grease, dust, or oil.
- To ensure reassembly and functionality of the product, mask any openings (for example for screws, LED indicators, or microphones) before you paint.
- To avoid unwanted reflections, mask the inside of the weathershield before you paint.

Pretreatment of parts

Depending on the part material and type of paint applied at factory, different pretreatment should be done for the new paint to adhere as well as possible. Clean the parts properly to remove oil, grease and dust.

Powder coated parts – Use a primer. Alternatively, remove the original powder coating down to the base material, using fine sandpaper, and clean the parts before painting.

Anodised and chromated parts – Use a primer.

Uncoated stainless steel – No special pretreatment is needed, but make sure that the surface is clean before painting.

Plastic – Use a primer.

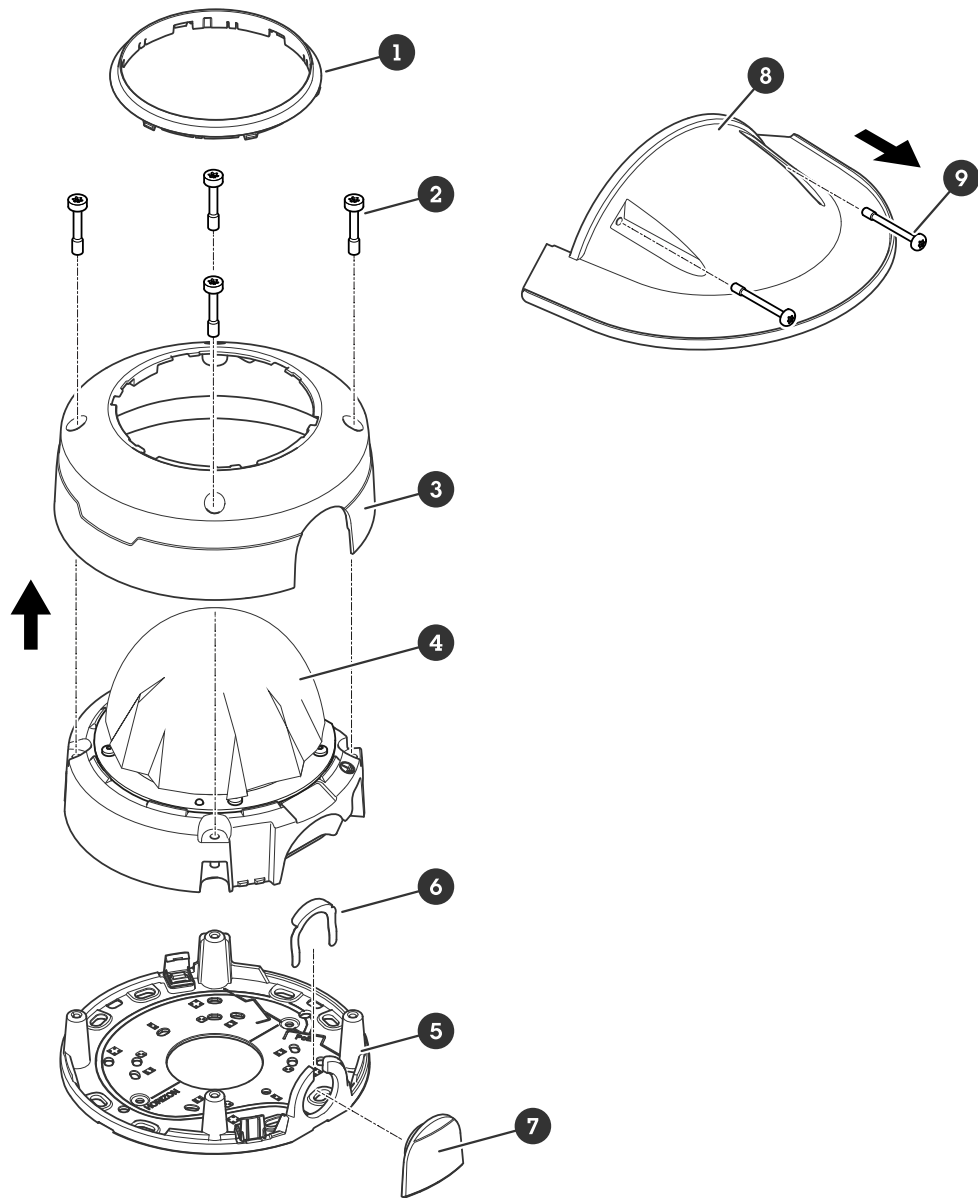
The dome casing is made of powder coated aluminum.

The weathershield is made of PA+GF Rilsan plastic.

AXIS Q36 Dome Camera Series

Repaint the product

Disassembly



- 1 Anti-reflection ring
- 2 Screws (4x, TR20)
- 3 Dome casing
- 4 Camera unit
- 5 Mounting bracket
- 6 Locking clip
- 7 Side lid
- 8 Weathershield
- 9 Screws (2x, TR20)

1. Remove the weathershield, if it's already attached to the dome casing.

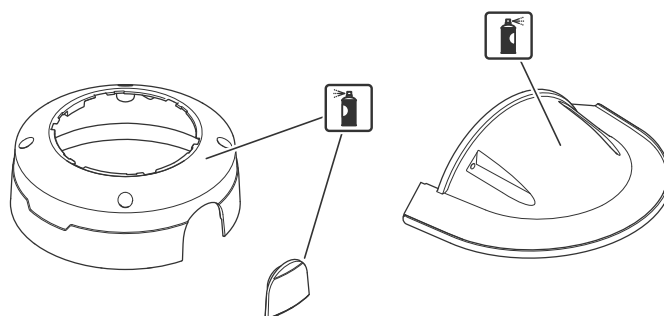
AXIS Q36 Dome Camera Series

Repaint the product

2. Remove the dome casing.
3. Remove the side lid from the mounting bracket.
4. Remove the anti-reflection ring. Don't paint it.

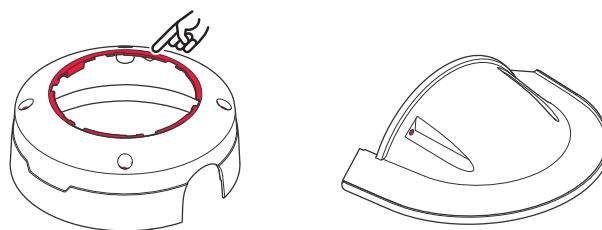
Repainting

1. Make sure all necessary preparations of the weathershield and dome casing have been made, see *Preparations on page 3*.



Important

Avoid paint build-up in the areas marked with red color.



2. Apply a thin and even layer of spray paint according to the instructions of the paint manufacturer.
3. Let the paint dry.
4. To get a better coverage and clearer color, apply a second layer of spray paint.
5. When the paint is dry, remove the masking and reassemble the product.

Reassembly

1. Reattach the side lid to the mounting bracket.

AXIS Q36 Dome Camera Series

Repaint the product

2. Reattach the anti-reflection ring.
3. Reassemble the weathershield, dome casing, and camera unit, and tighten the screws (torque 1.0 N m, 0.7 lb ft).

