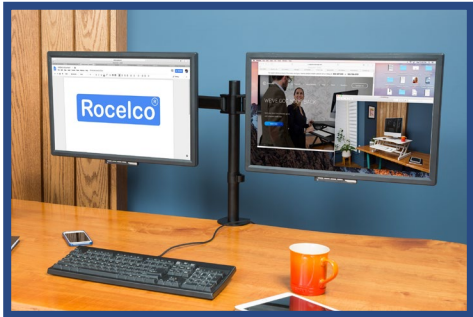
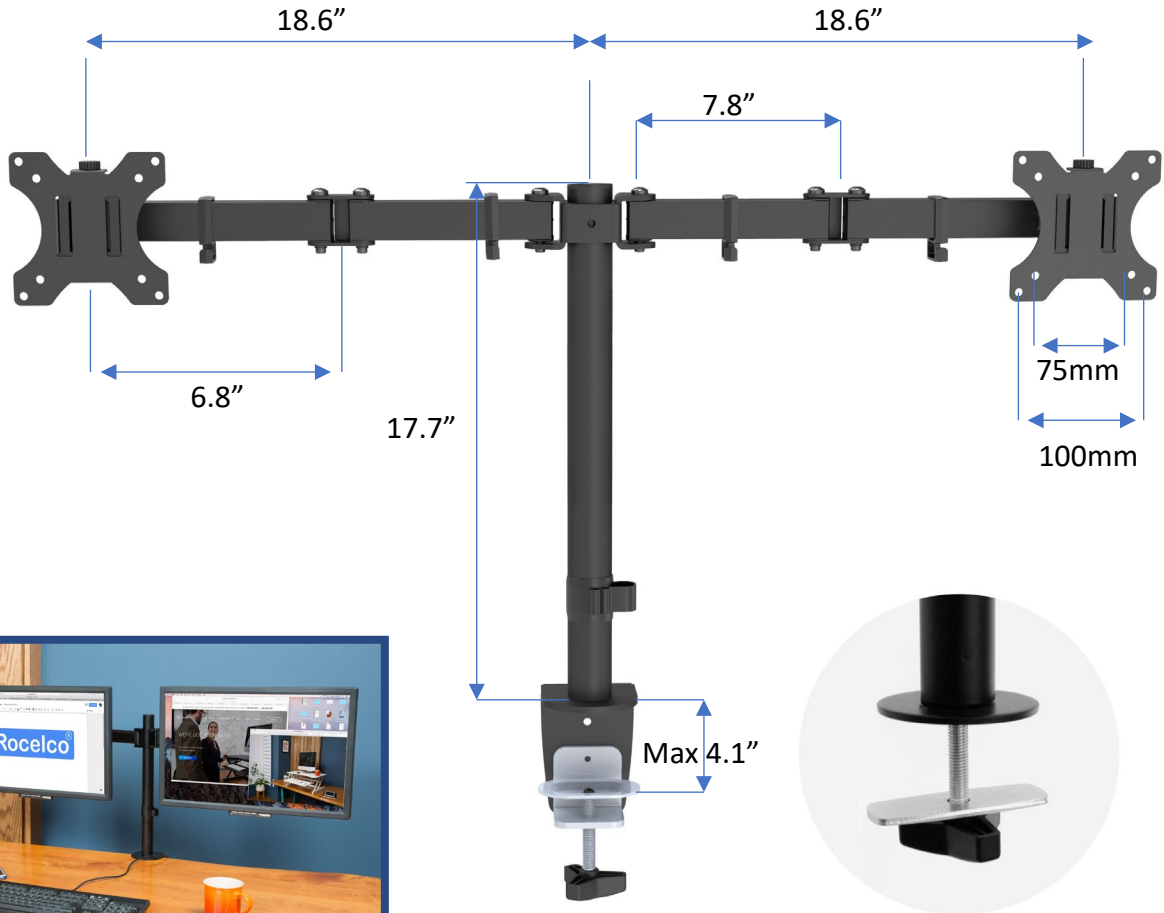




# DM2

Dual Monitor Mount for Desks & Adjustable Desk Risers



SHIPPING SPECS		
	DIMENSIONS (L x W x D)	WEIGHT
MASTER CARTON Qty 4	9.5" x 19" x 11"	32.15 LB
SINGLE CARTON	5.5" x 19.4" x 4.5"	8 LBS

COLOR	MODEL #	UPC
BLACK	R DM2	6-9328500069-0

## HIGHLIGHTS

- Fits two 13"- 27" LCD/LED monitors up to 8 kg/17.6 lbs. each.
- Mounts to any surface up to 8.8cm/3.5" thick.
- Choice of clamp or grommet mounting – both included.
- Works with most adjustable desk risers, including the R EADRB2, R DADRB, R DADRB-40, R DADRB-46, R CADRB-46 & R MSD-40 with grommet hole mounting.
- Fits mounting patterns 75x75mm & 100x100mm.
- Double articulated arms make it easy to adjust monitors to any desired position.
- Tilts ±45°, swivels 180° & rotates 360°.
- Monitor mounts in landscape (horizontal) or portrait (vertical) position.
- Adjustable height along 17.7" pole for ideal ergonomic position.
- Cable management clips included.