

## **AXIS Q1686-DLE Radar-Video Fusion Camera**

### **Repainting instructions**

# AXIS Q1686-DLE Radar-Video Fusion Camera

## Impact on warranty

---

### Impact on warranty

This product is approved for repaint by Axis, provided that you follow the instructions in this document and at [axis.com/warranty-implication-when-repainting](https://axis.com/warranty-implication-when-repainting).

### Risks with repainting

There are several risks when disassembling or assembling an Axis product. Training of operators and the use of correct tools mediates some of the problems but they can never be fully avoided. Some of the risks include:

**ESD Damage** – Always handle the product in an ESD safe environment. Even if precautions are taken there is always a risk of ESD damage. The damage can remain undetected and cause problems during the lifetime of the equipment.

**Paint overspray** – Masking the different components of the equipment is critical. Failure to mask sensitive areas can cause problems when assembling the equipment. Areas not painted at the factory or which have a different surface treatment than the parts to be painted (threads, ground and electrical contact surfaces) must also be masked to ensure function.

# AXIS Q1686-DLE Radar-Video Fusion Camera

## Repaint the product

---

### Repaint the product

#### Preparations

- If applicable, disassemble the device according to the instructions in this document.
- Clean all parts that will be repainted thoroughly to remove grease, dust, or oil.
- To ensure reassembly and functionality of the product, mask any openings (for example for screws, LED indicators, or microphones) before you paint.

#### Pretreatment of parts

Depending on the part material and type of coating applied at factory, pretreatment might be necessary for the new coating to adhere well. Before you apply a new coating, we recommend the following pretreatment:

1. If necessary, roughen up the surface with a light sandpaper or similar to increase adhesion. Alternatively, remove the original coating down to base material.
2. Clean the parts properly to remove oil, grease, and dust.
3. If necessary, apply a primer layer suitable for the specific material to increase adhesion to the parts. For outdoor products, we recommend a primer to improve corrosion resistance.

We recommend pretreatment of parts made of the following materials:

- powder coated
- wet painted
- anodised
- chromated
- stainless steel
- other metal
- plastic

The materials used in this product are plastic (weathershield) and powder coated aluminum (housing and wall mount).

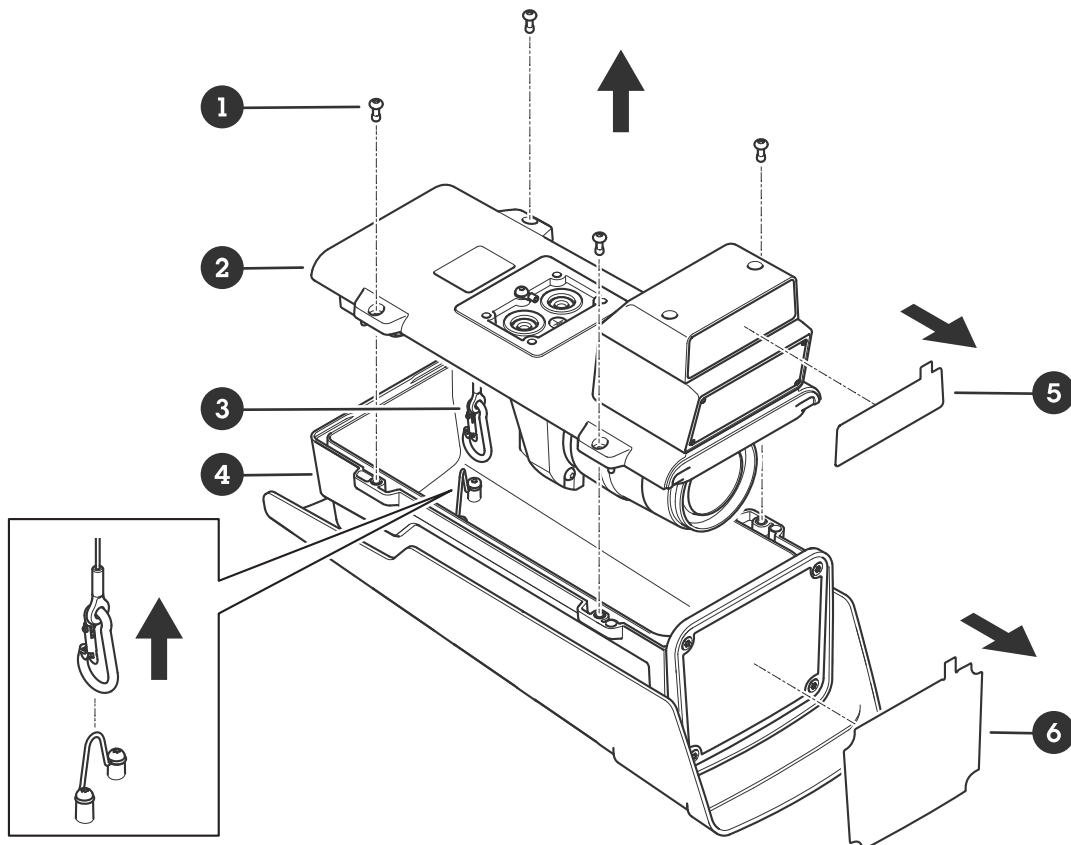
# AXIS Q1686-DLE Radar-Video Fusion Camera

## Repaint the product

---

### Disassembly

#### Disassemble the housing



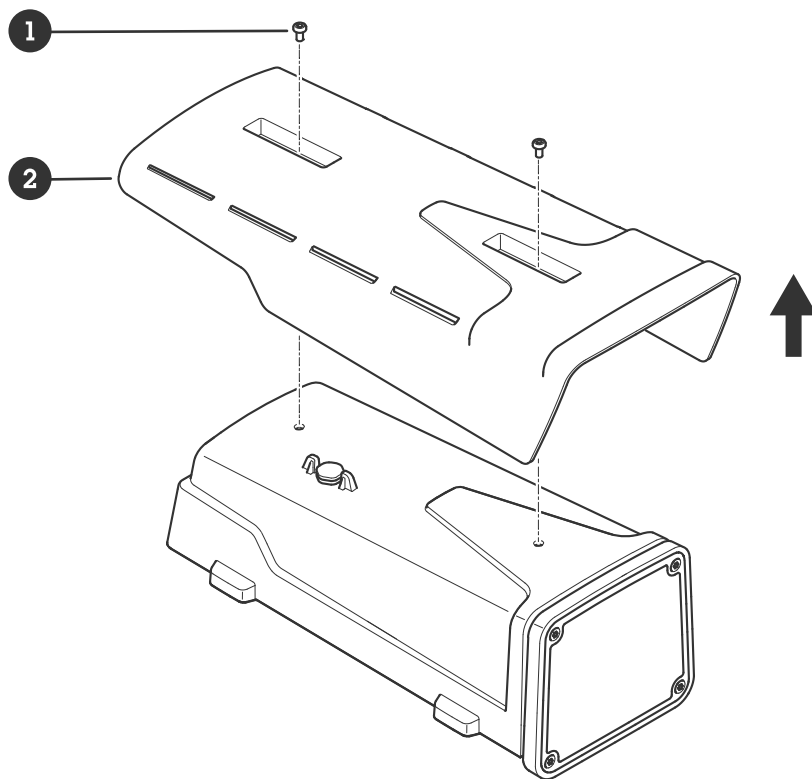
- 1 Screw T20 (4x)
- 2 Bottom chassis
- 3 Safety hook
- 4 Top cover
- 5 Illuminator sticker
- 6 Front window sticker

1. Remove the screws and the safety hook.
2. Remove the bottom chassis from the top cover.
3. Remove the stickers from the illuminator and front window.

# AXIS Q1686-DLE Radar-Video Fusion Camera

## Repaint the product

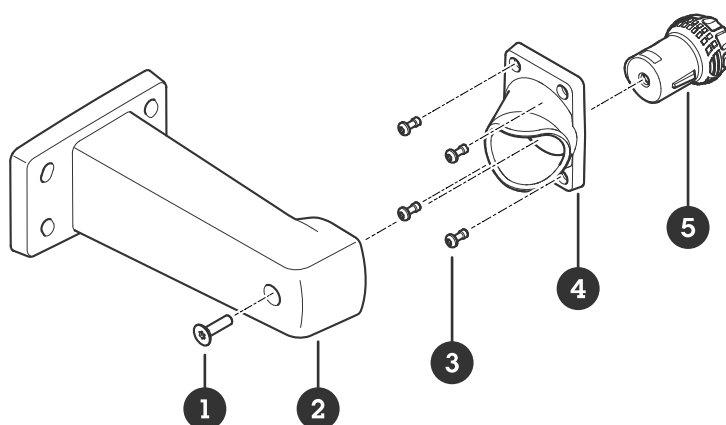
---



- 1 Screw T20 (2x)
- 2 Weathershield

4. Remove the screws and the weathershield.

## Disassemble the wall mount



- 1 Screw
- 2 Arm
- 3 Screw (4x)
- 4 Bracket
- 5 Ball

# AXIS Q1686-DLE Radar-Video Fusion Camera

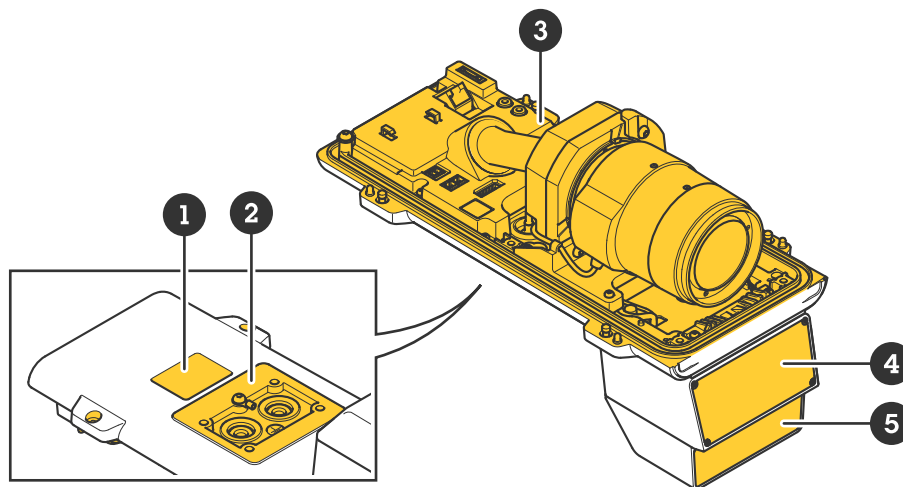
## Repaint the product

---

1. Remove the torx screw at the bottom of the arm.
2. Remove the four screws from the bracket.
3. Remove the ball from the bracket.

## Masking

### Mask the bottom chassis



- 1 *Label*
- 2 *Wall mount surface*
- 3 *Top*
- 4 *Radome*
- 5 *Illuminator front glass*

Mask the following parts of the bottom chassis:

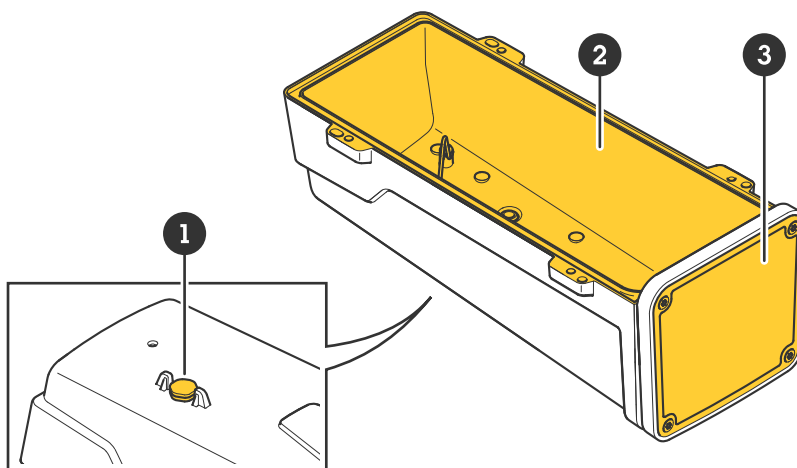
1. The label.
2. The surface where you attach the wall mount.
3. Everything on the top side of the bottom chassis, including the gaskets and the four screw holes.
4. The radome.
5. The illuminator front glass.

# AXIS Q1686-DLE Radar-Video Fusion Camera

## Repaint the product

---

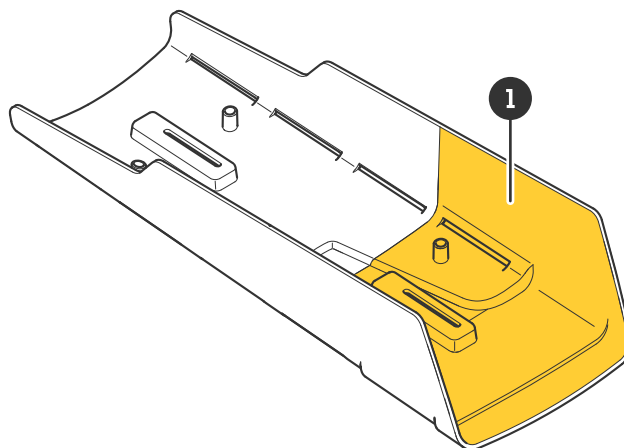
### Mask the top cover and weathershield



- 1 Vent membrane
- 2 Inside of chassis
- 3 Front window

Mask the following parts of the top cover:

- 1. The vent membrane.
- 2. The inside of the chassis and the screw holes.
- 3. The front window including the black areas.



- 1 Weathershield front

Mask the following parts of the weathershield:

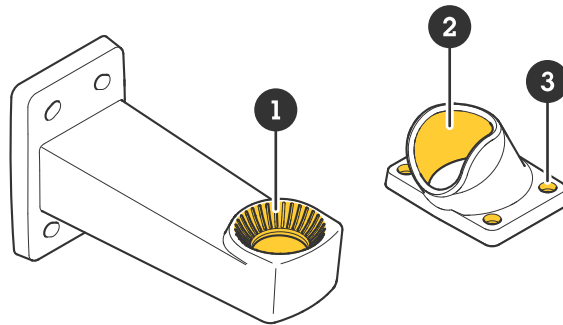
- 4. Mask the black part in the front.

# AXIS Q1686-DLE Radar-Video Fusion Camera

## Repaint the product

---

### Mask the wall mount



- 1 Recess
- 2 Bracket inside
- 3 Screw hole (4x)

Mask the following parts of the wall mount:

- 1. The recess of the arm.
- 2. The inside of the bracket.
- 3. The four screw holes.

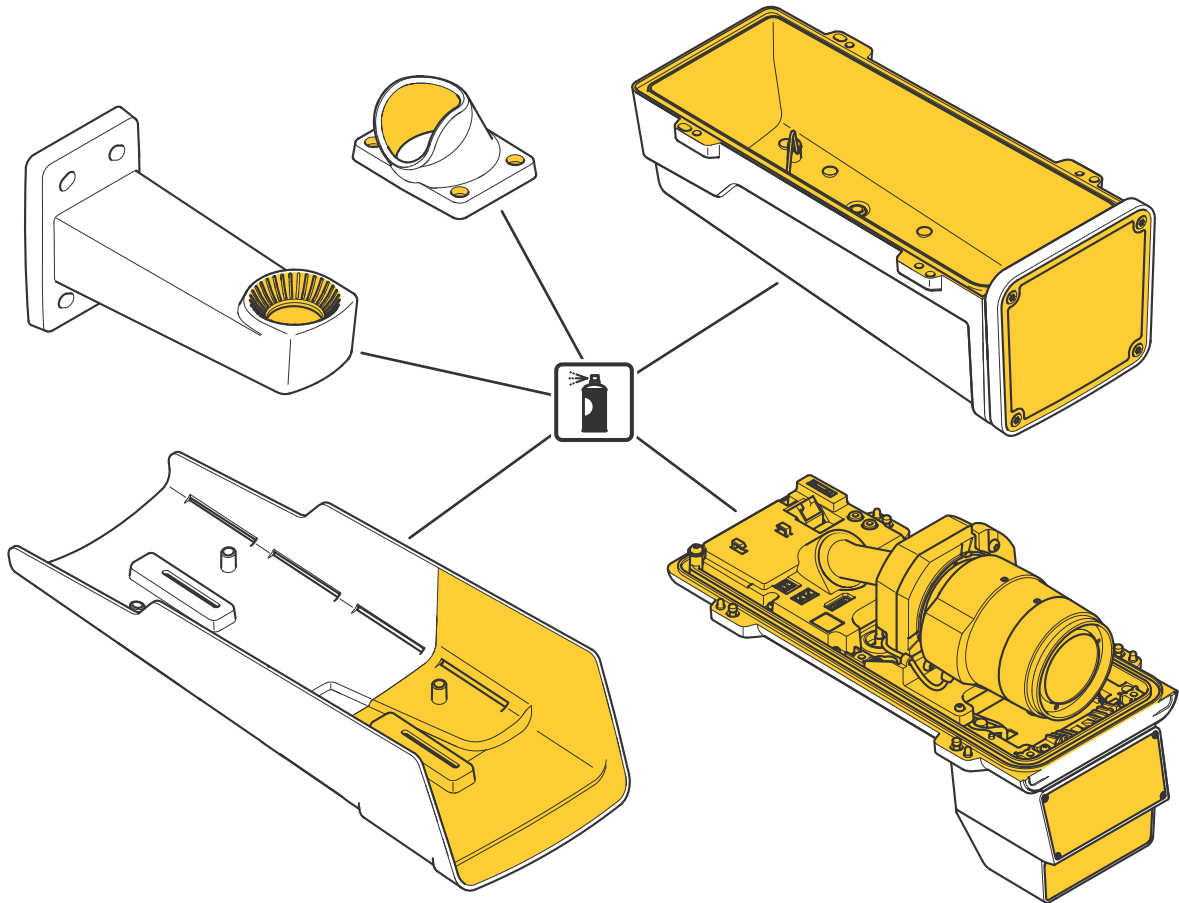


# AXIS Q1686-DLE Radar-Video Fusion Camera

## Repaint the product

---

### Repainting



1. Make sure you have made all necessary preparations of the parts to be repainted, see *Preparations on page 3*.
2. Apply a thin and even layer of spray paint according to the instructions of the paint manufacturer.
3. Let the paint dry according to the paint manufacturer's recommendations.
4. To get a better coverage and clearer color, apply a second layer of spray paint.
5. When the paint is dry, reassemble the product.

### Reassembly

Reassemble the product and reattach the stickers to the illuminator and front window.

For more information, see the installation guide available at [axis.com](http://axis.com).

