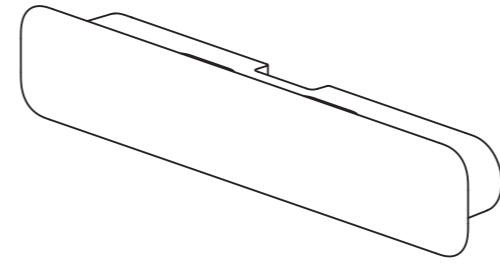


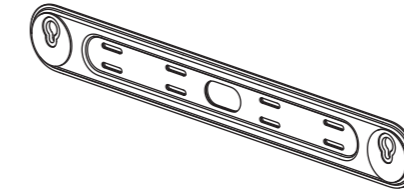


# Let's Get Started

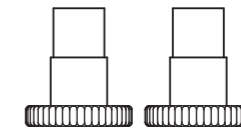




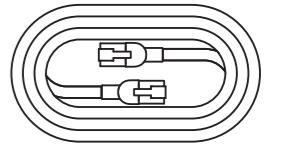
1x



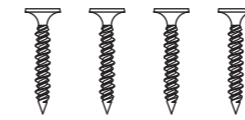
1x



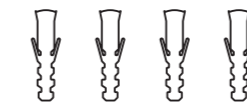
2x



1x



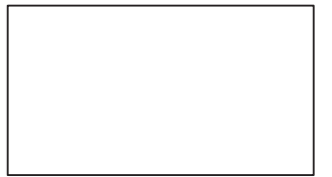
4x



1x



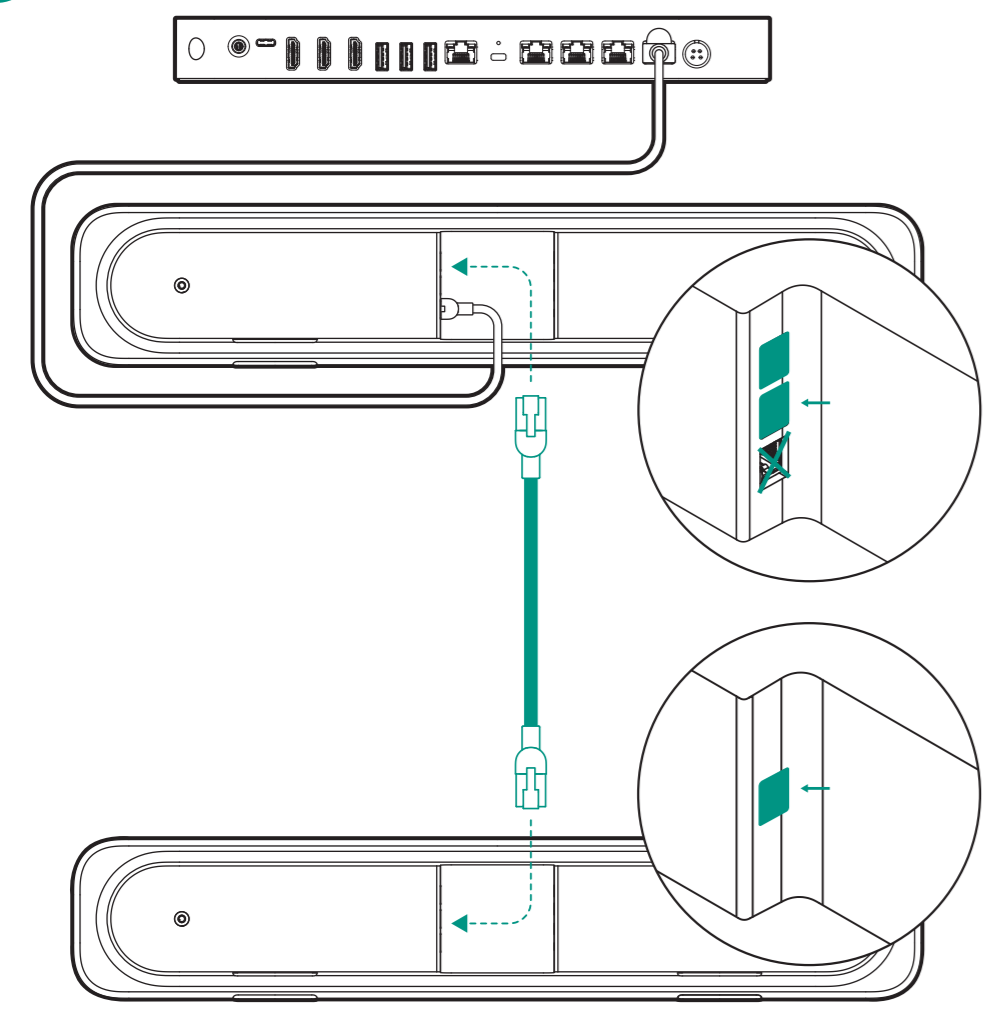
1x



1x

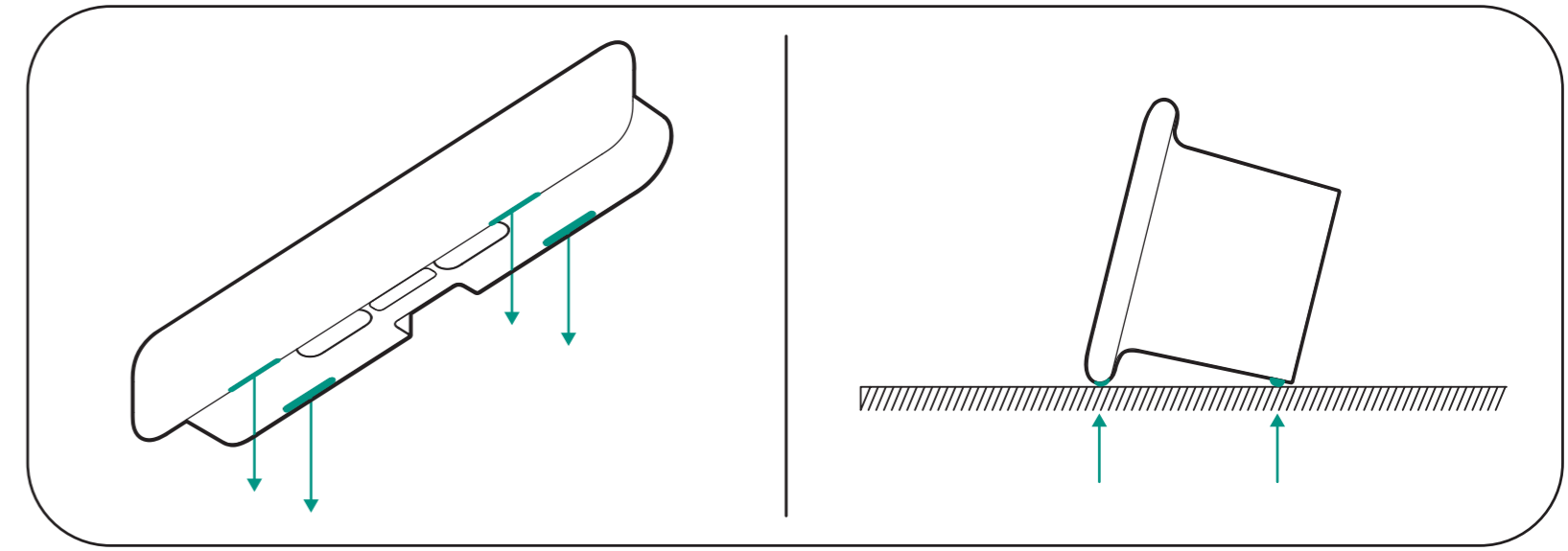
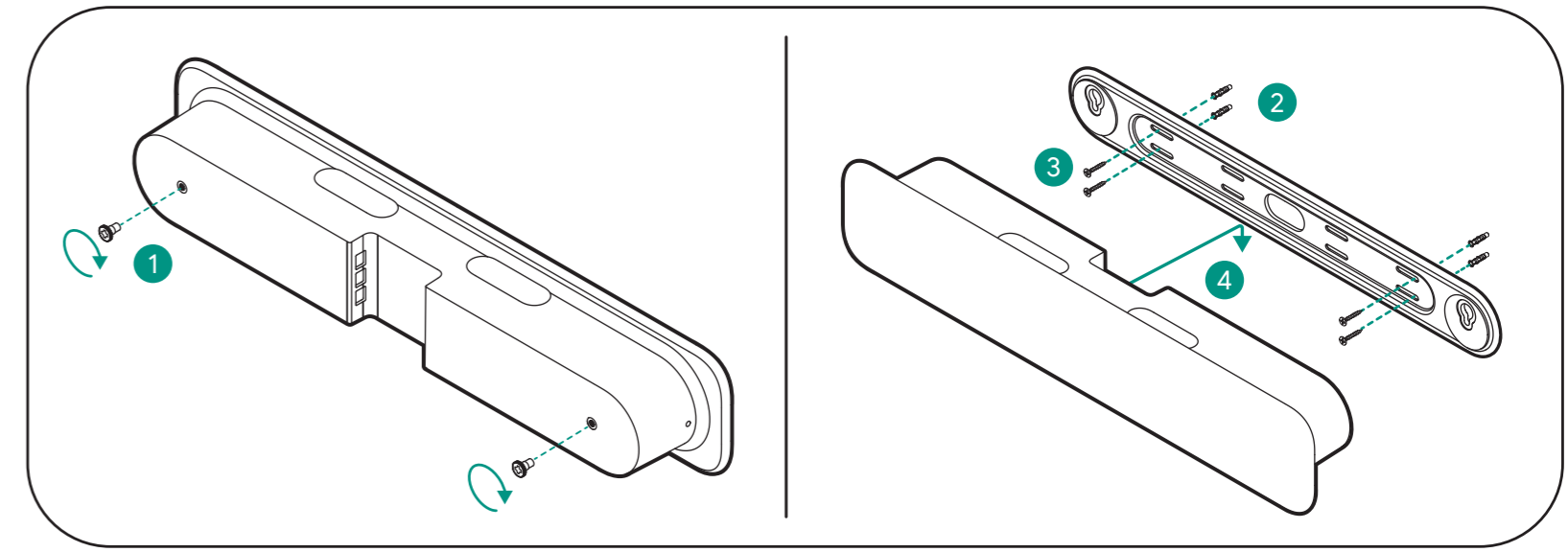
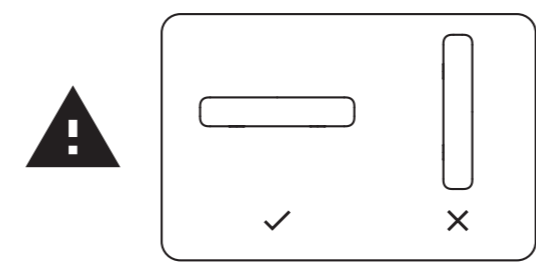
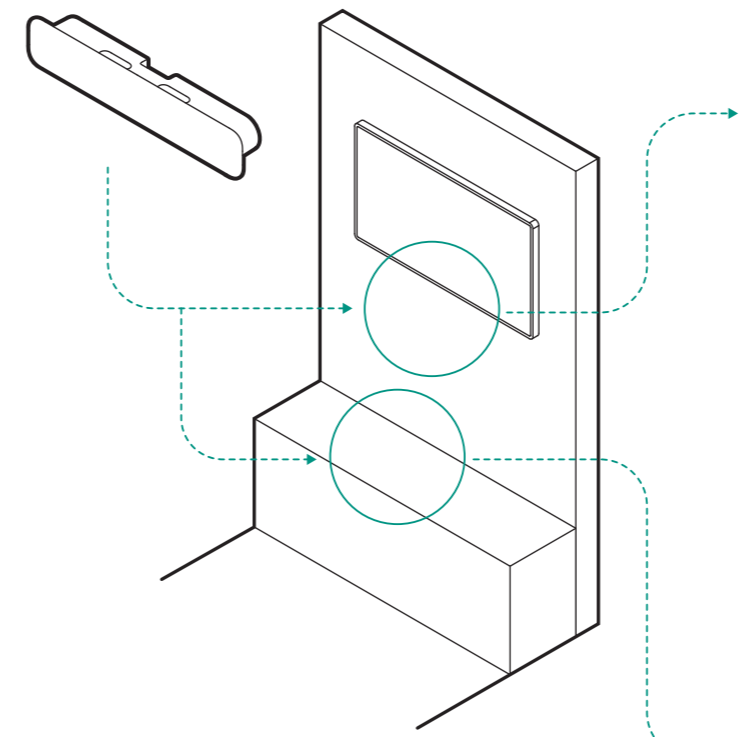
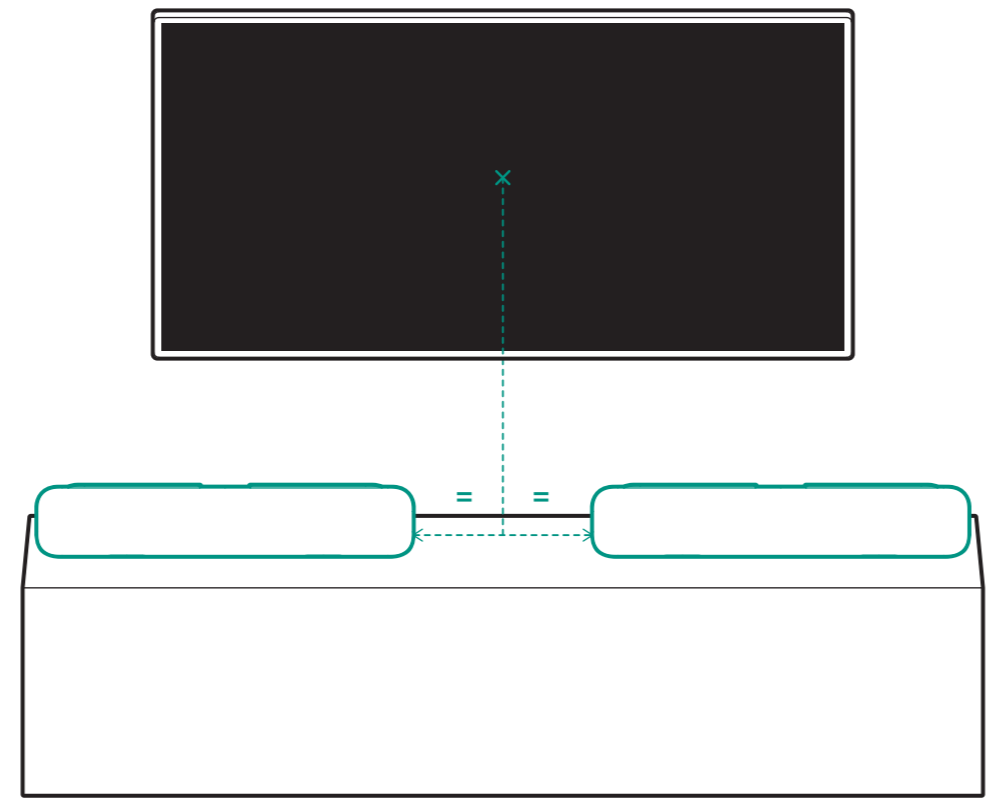


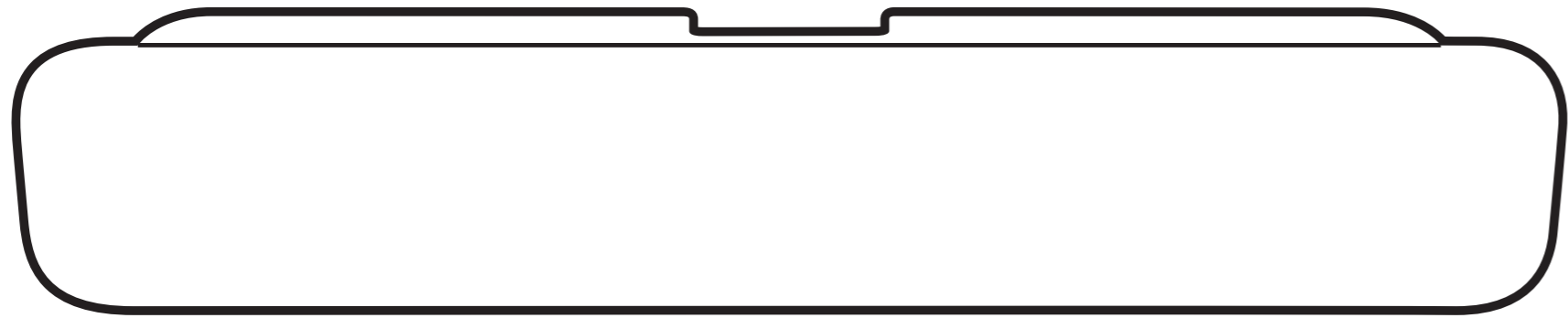
1



2

2





[hardware.meet/start](https://hardware.meet/start)

