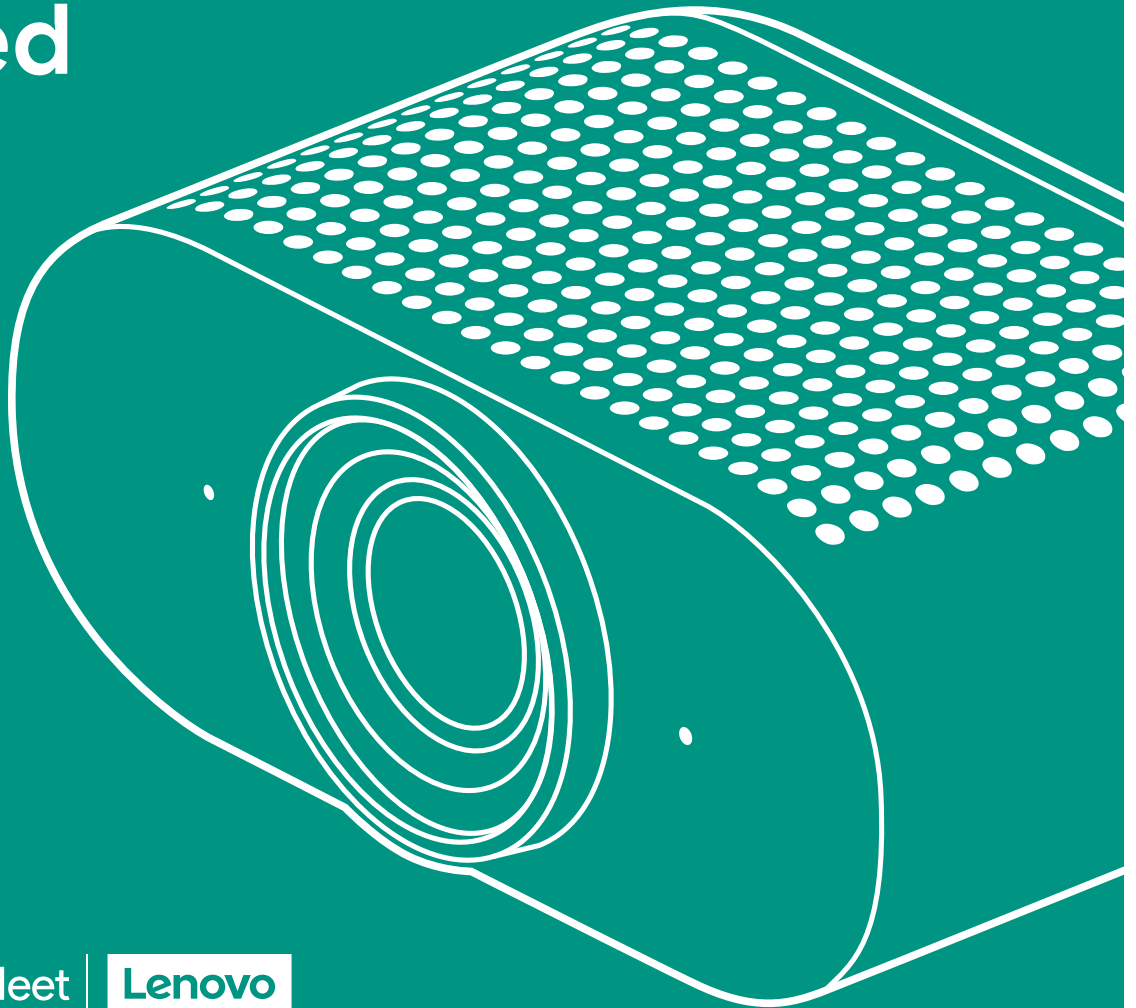




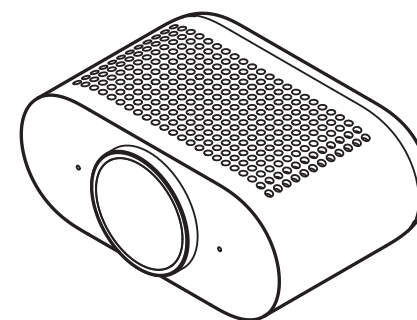
Let's Get Started



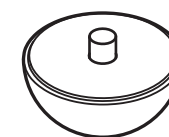
Google Meet

Lenovo

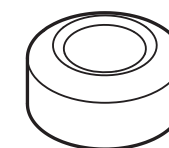




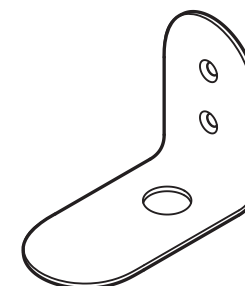
1x



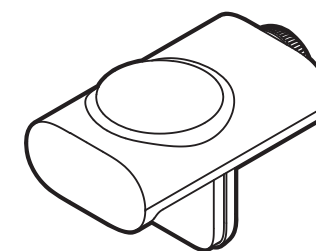
1x



1x



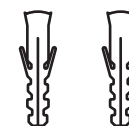
1x



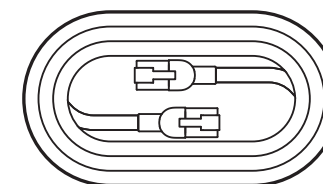
1x



2x



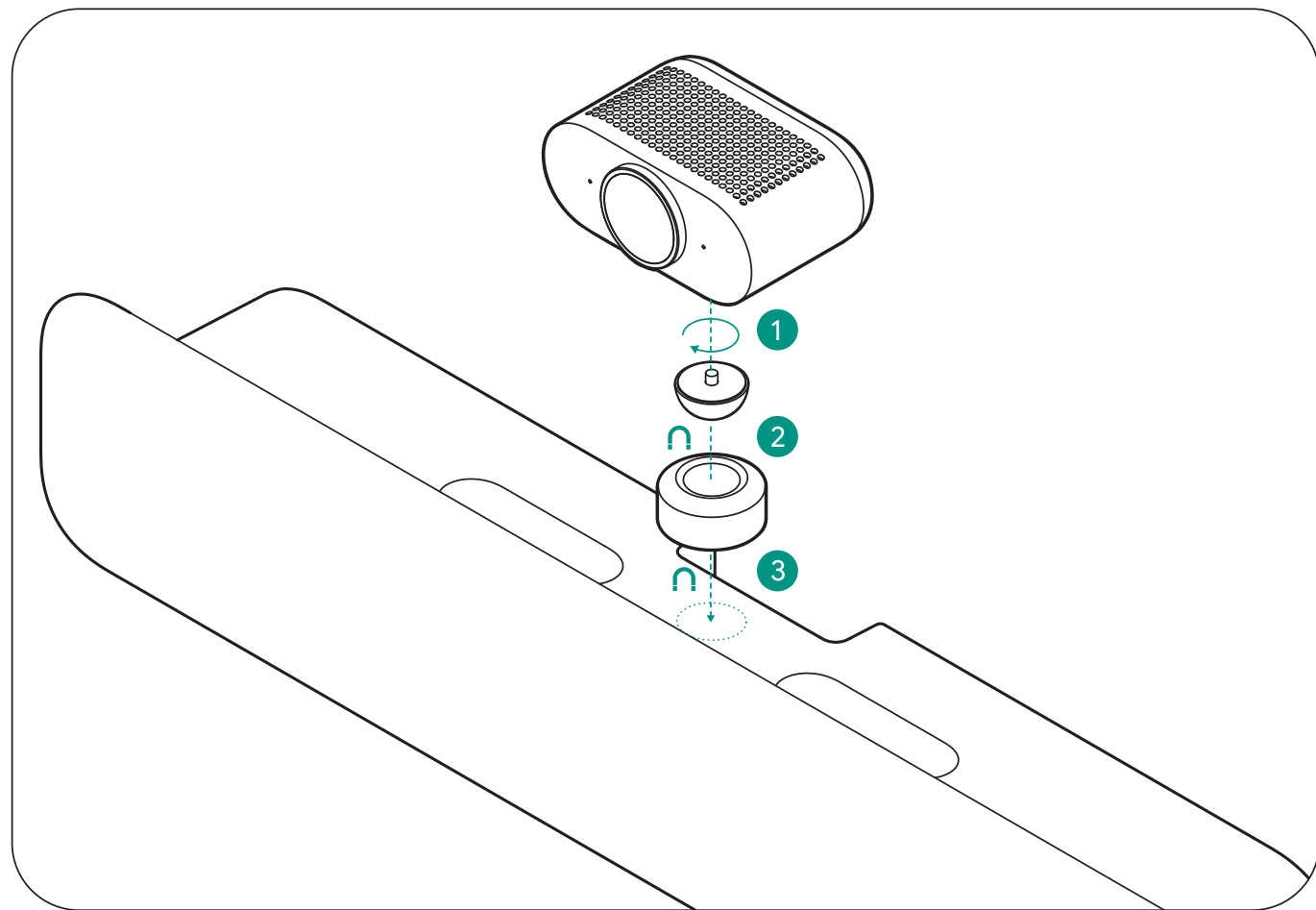
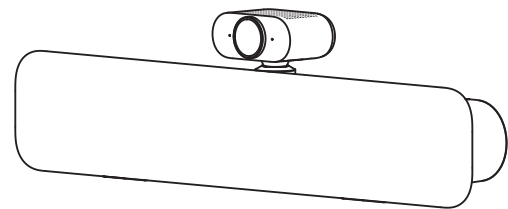
2x



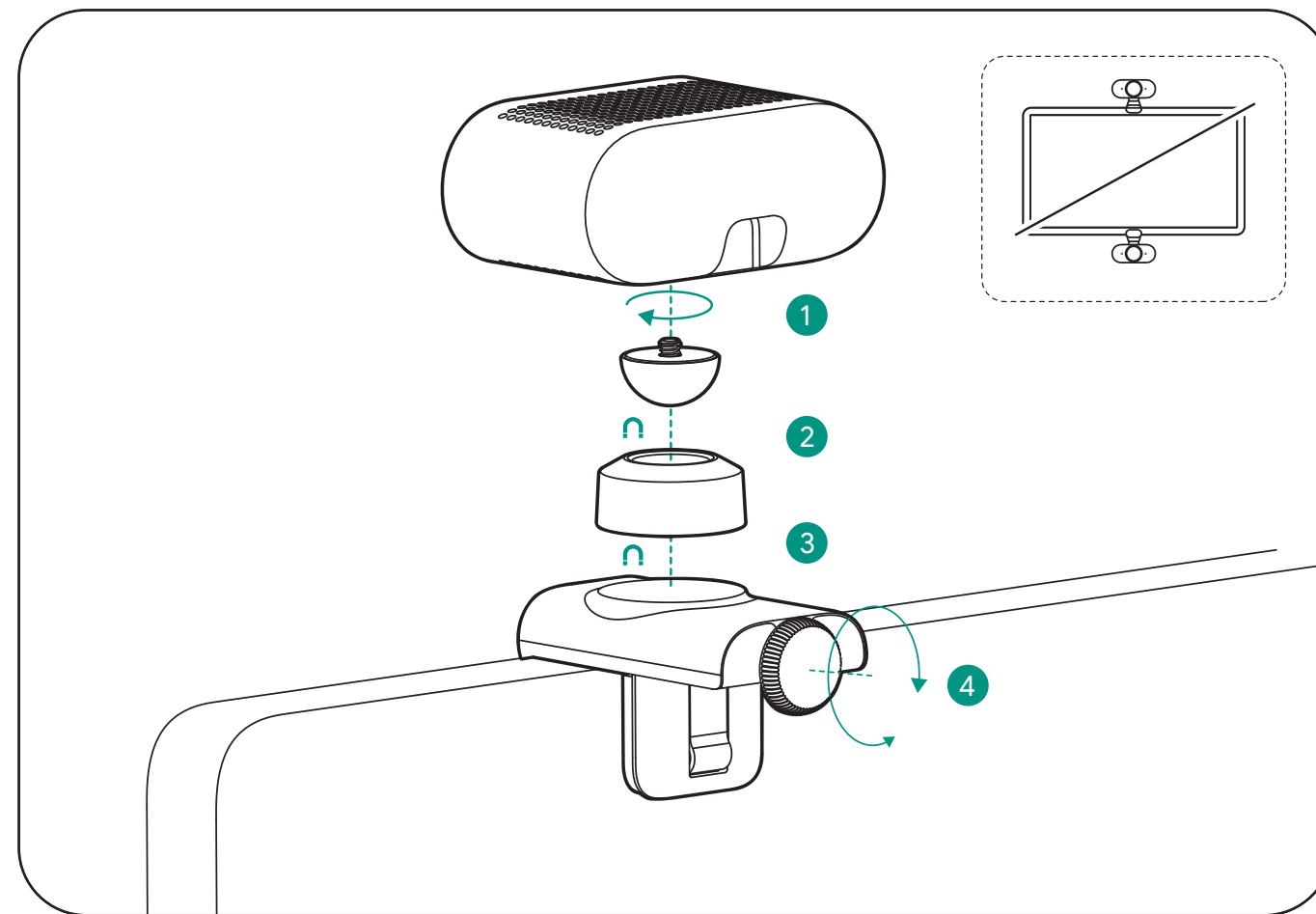
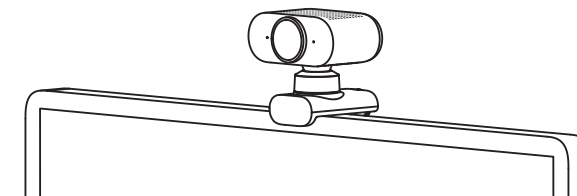
1x



1x

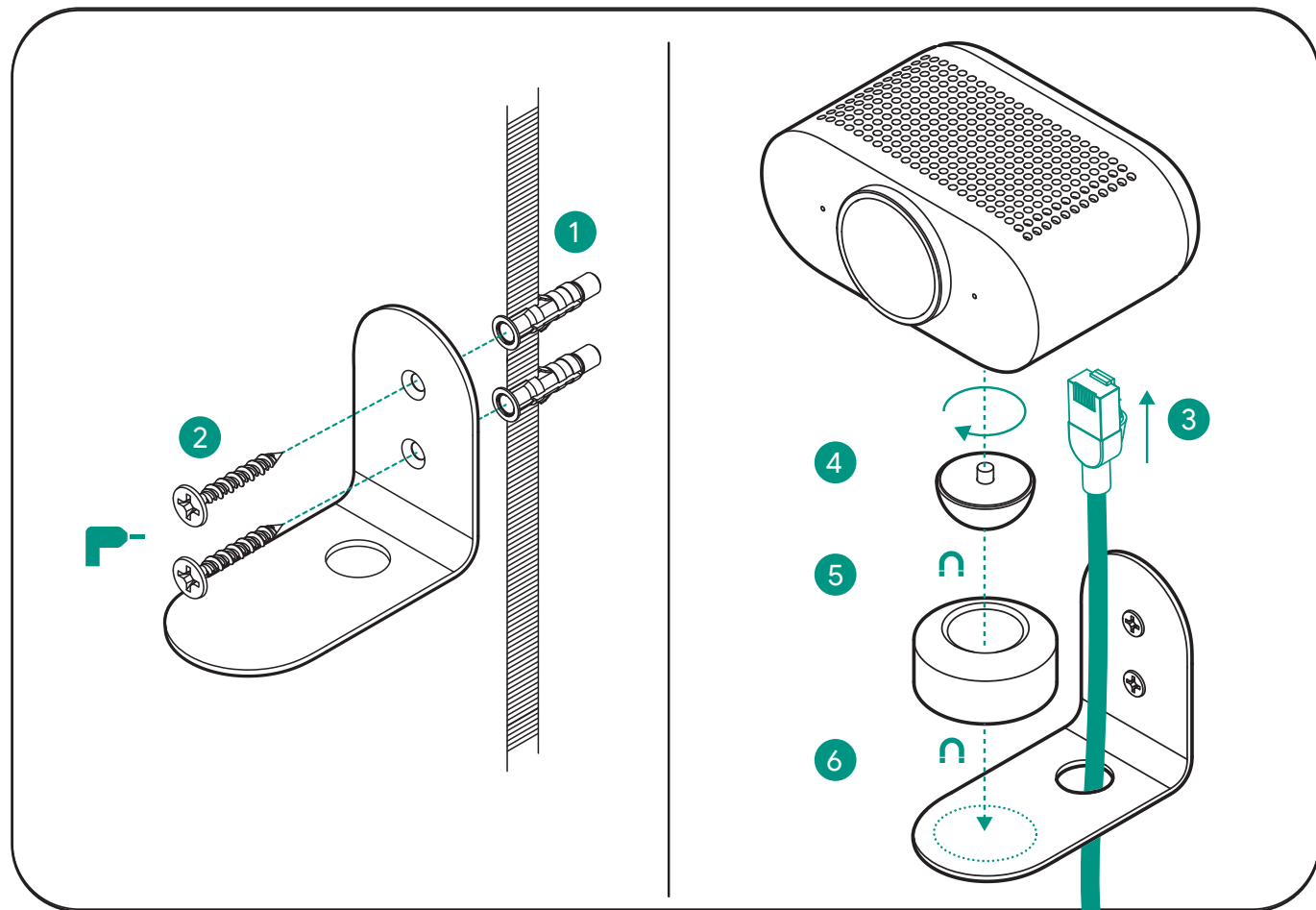
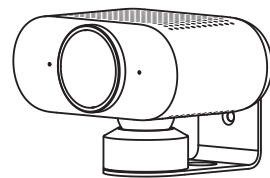


4

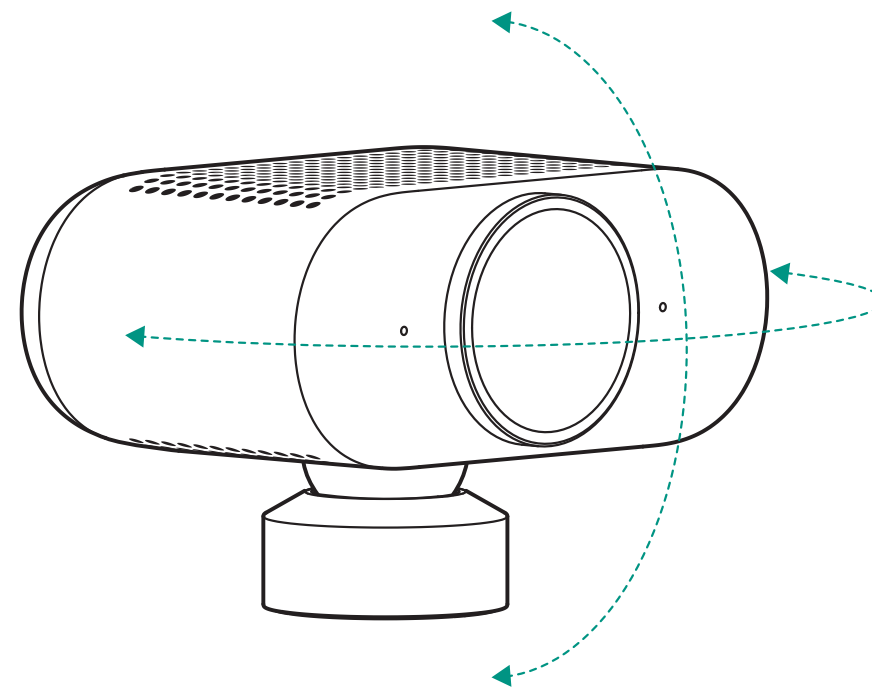


5

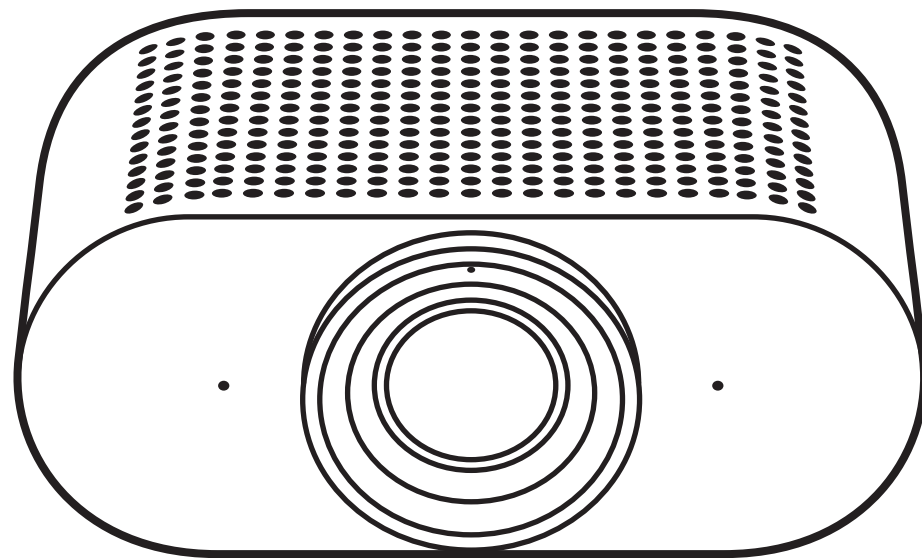




6



7



hardware.meet/start

