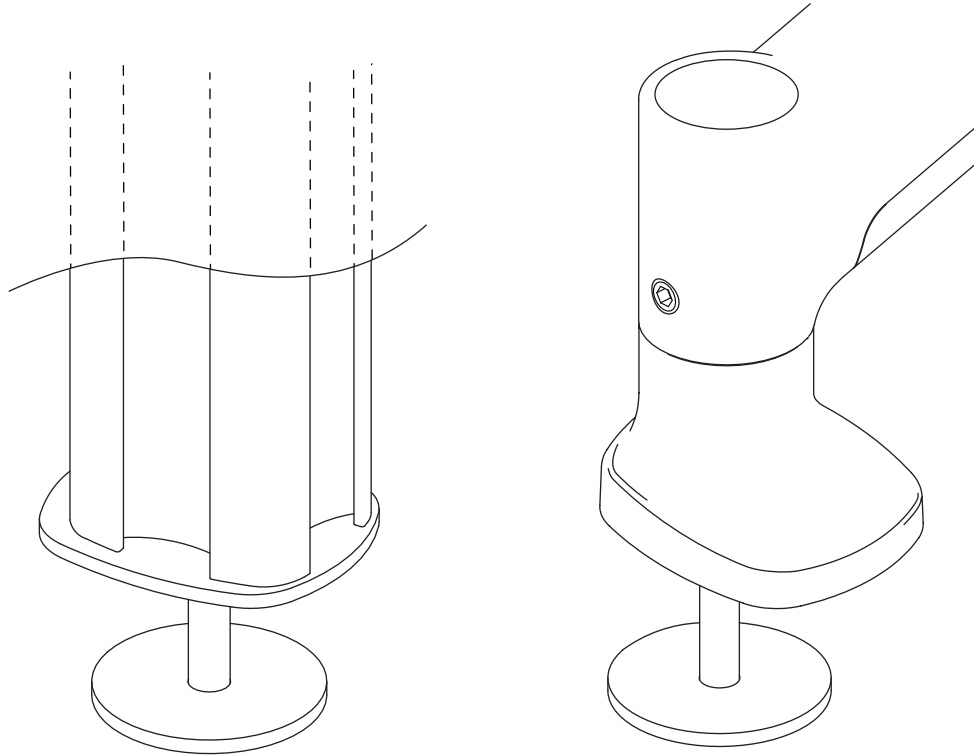
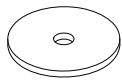


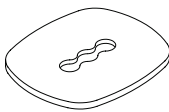
Bolt Through Kit



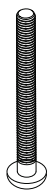
COMPONENT CHECKLIST



A
Bolt
through
washer
(x3)



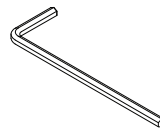
B
Bolt
through
plate
(x1)



C
Bolt
M8x55mm
(x1)



D
Screw
M8x25mm
(x1)



E
5mm
allen key
(x1)

REQUIRED TOOLS

- Power Drill
- 9mm (0.35") Drill Bit

IMPORTANT INFORMATION

- ! Please ensure this product is installed as per these installation instructions.
- ! This product is compatible with Atdec modular (AWM) products.
- ! The manufacturer accepts no responsibility for incorrect installation.

1. Drill hole in work surface

<p>1.1 Drill hole in desired post position on work surface</p>		<p>1.2 Bolt through post mounting allows for arms to be installed into all four of the post channels</p>
---	--	---

2. Configure bolt through

<p>2.1 Post - 1 x plate, 1 x washer</p>	<p>2.2 Base - 1 x washer</p>	<p>2.3 Base - 3 x washer</p>
<p>MIN THICKNESS - 0mm (0") MAX THICKNESS - 33mm (1 5/16")</p>	<p>MIN THICKNESS - 20mm (1 3/16") MAX THICKNESS - 34mm (1 5/16")</p>	<p>MIN THICKNESS - 15mm (5/8") MAX THICKNESS - 28mm (1 1/8")</p>

3. Post mount installation

<p>3.1 Attach plate to post with M8x25 Screw</p>	<p>3.2 Align rear hole with hole on desk</p>	<p>3.3 Bolt post to work surface</p>

4. Base mount installation

<p>4.1 Align rear hole with hole on desk</p>	<p>4.2 Bolt base to work surface</p>