

Fellowes Array™ Wall AW1 & Stand AS1 Coming April, 2023

Technical Specifications*	
Max Air Flow (CFM)	240
Fan Speeds (CFM)	68, 90, 110, 140, 240
Sound Pressure Levels (dB per ISO 3746)	39, 42, 46, 51, 64
Power Requirements	AC120V/60Hz/0.9A
Power Consumption (watts)	6, 9, 13, 24, 96
IoT Connectivity	LTE
Modes	Auto, Quiet, Manual
Filter Change Indicator	Yes
Air Intake	Bottom, Sides
Air Outlet	Top
Warranty	5-Year Limited



AW1

AS1

Code	Dimensions (L x W x H)	Weight (lbs.)	Color
5884801 (Wall)	20.9 x 9.7 x 19.6	20	White
5884201 (Stand)	20.9 x 10.2 x 22.8	25	

RESET Air Class B IAQ Sensors	Accuracy
PM2.5 PM10	≤ 100µg/m³: ± 15µg/m³ > 100µg/m³: ± 15%
CO2	± (30ppm+3%)
VOC/TVOC	± 30ppm
Temperature	0.2C
rH	1.80%

Area Coverage (SQFT)			
eACH	Ceiling Height (ft)		
	8	10	12
1	1,800	1,440	1,200
3	600	480	400
5	360	288	240

Virus Testing*
H1N1
Rhinovirus
SARS-CoV-2

Monitoring and Comfort Sensors
Pressure
Light
Occupancy
Sound

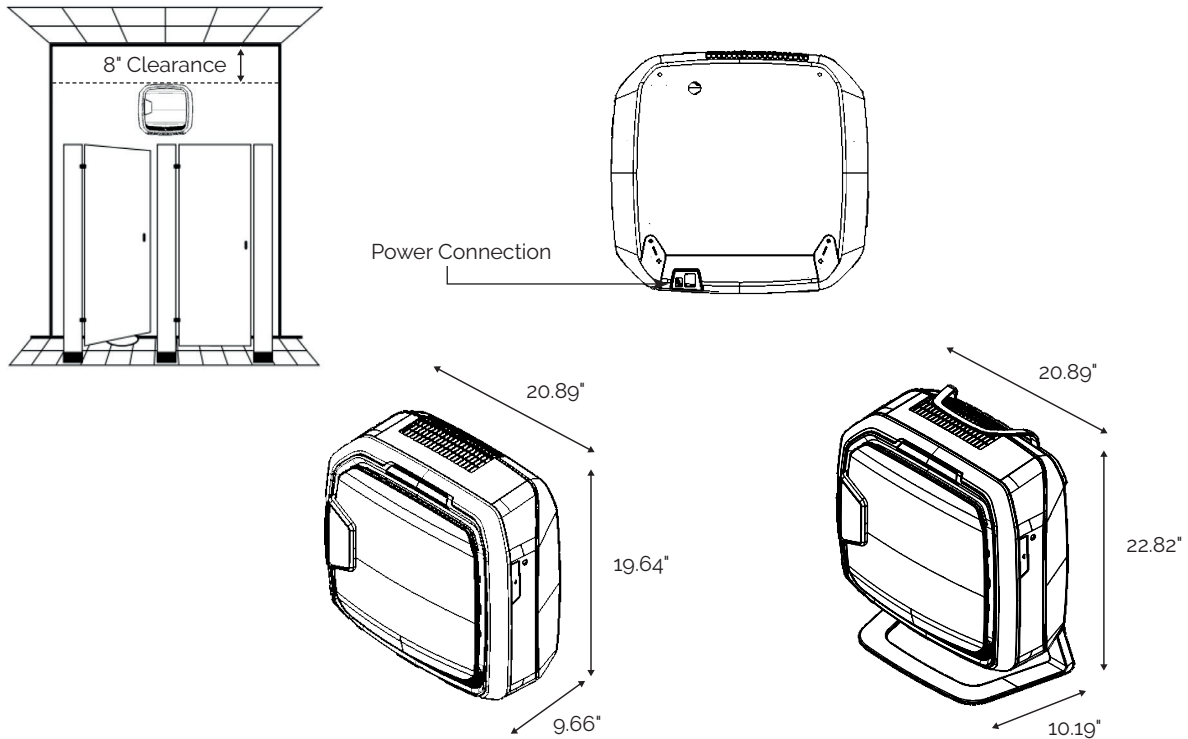
Certifications*
CARB
FCC
Energy Star 2.0
UL 507
EN1822M
AHAM Verifide



Fellowes Code: 9436902

AW1 & AS1 Filter	
Filter Type	Hybrid Filter (Carbon, H13 True HEPA)
Filter Rating	H13 True HEPA
Filter Efficiency	99.95% @ 0.1 microns
Antimicrobial Coating	Yes
Estimated Filter Life	12 months
Pack Size	2PK - Includes Pre-Filter

* Subject to final compliance certificate



	Wall AW1	Stand AS1
Mounting Type	<ul style="list-style-type: none"> • Wall mounted • Drywall anchors included 	<ul style="list-style-type: none"> • Floor stand
Electrical Requirements	<ul style="list-style-type: none"> • AC120V/60Hz/0.9A • Hardwired 	<ul style="list-style-type: none"> • AC120V/60Hz/0.9A • Grounded 3 prong AC plug included, 62" length
Hardware Provided	<ul style="list-style-type: none"> • Drywall anchors - 10mm OD • Pan Head Phyllips Screws 	<ul style="list-style-type: none"> • None, stand comes pre-installed
Anchor Materials By Others	<ul style="list-style-type: none"> • Wire nuts 	<ul style="list-style-type: none"> • None
Clearance	<ul style="list-style-type: none"> • Recommended minimum 8" of clearance above the unit 	<ul style="list-style-type: none"> • None

Fellowes Array™ Wall AW2 & Stand AS2 Coming April, 2023

Technical Specifications*

Max Air Flow (CFM)	400
Fan Speeds (CFM)	120, 150, 200, 260, 400
Sound Pressure Levels (dB per ISO 3746)	41, 43, 48, 54, 64
Power Requirements	AC120V/60Hz/1.5A
Power Consumption (watts)	10, 14, 23, 41, 152
IoT Connectivity	LTE
Modes	Auto, Quiet, Manual
Filter Change Indicator	Yes
Air Intake	Bottom, Sides
Air Outlet	Top
Warranty	5-Year Limited



AW2

AS2

Code	Dimensions (L x W x H)	Weight (lbs.)	Color
5885101 (Wall)	34.7 x 9.4 x 19.7	35	White
5884501 (Stand)	34.7 x 10.6 x 22.8	40	

RESET Air Class B IAQ Sensors

	Accuracy
PM2.5 PM10	≤ 100µg/m ³ : ± 15µg/m ³ > 100µg/m ³ : ± 15%
CO2	± (30ppm+3%)
VOC/TVOC	± 30ppm
Temperature	0.2C
rH	1.80%

Area Coverage (SQFT)

eACH	Ceiling Height (ft)		
	8	10	12
1	3,000	2,440	2,000
3	1,000	800	666
5	600	480	400

Virus Testing*

H1N1
Rhinovirus
SARS-CoV-2

Monitoring and Comfort Sensors

Pressure
Light
Occupancy
Sound

Certifications*

CARB
FCC
Energy Star 2.0
UL 507
EN1822M
AHAM Verifide

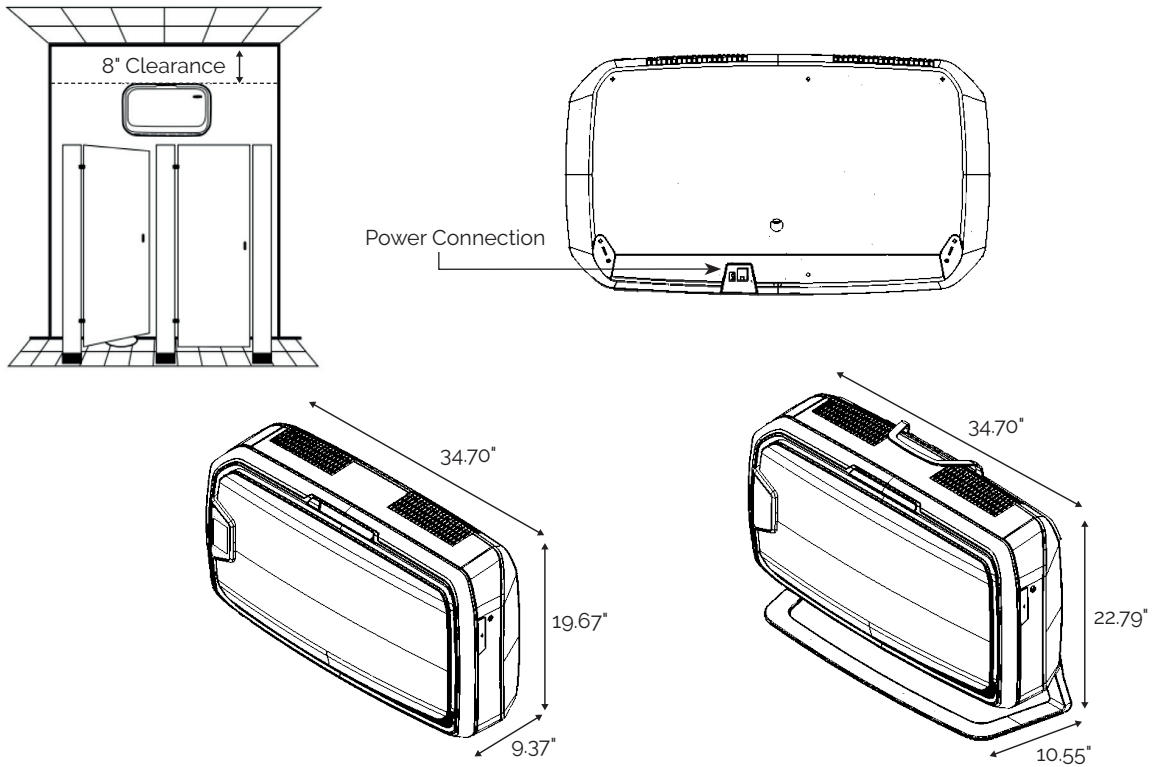


Fellowes Code: 9436902

AW2 & AS2 Filter

Filter Type	Hybrid Filter (Carbon, H13 True HEPA)
Filter Rating	H13 True HEPA
Filter Efficiency	99.95% @ 0.1 microns
Antimicrobial Coating	Yes
Estimated Filter Life	12 months
Pack Size	2PK- Includes Pre-Filter

* Subject to final compliance certificate



	Wall AW2	Stand AS2
Mounting Type	<ul style="list-style-type: none"> • Wall mounted • Drywall anchors included 	<ul style="list-style-type: none"> • Floor stand
Electrical Requirements	<ul style="list-style-type: none"> • AC120V/60Hz/1.5A • Hardwired 	<ul style="list-style-type: none"> • AC120V/60Hz/1.5A • Grounded 3 prong AC plug included, 62" length
Hardware Provided	<ul style="list-style-type: none"> • Drywall anchors - 10mm OD • Pan Head Phyllips Screws 	<ul style="list-style-type: none"> • None, stand comes pre-installed
Anchor Materials By Others	<ul style="list-style-type: none"> • Wire nuts 	<ul style="list-style-type: none"> • None
Clearance	<ul style="list-style-type: none"> • Recommended minimum 8" of clearance above the unit 	<ul style="list-style-type: none"> • None