



Electric screen

Installation Manual

To the owner

Thank you for choosing a Elunevision electric screen for your home or business, this model is designed to deliver years of superior performance.

Please take a moment to review this manual, it will help to insure a quick and easy installation of your motorized screen. included are important notes on how to maintain you screen and prolong the service life of this product.

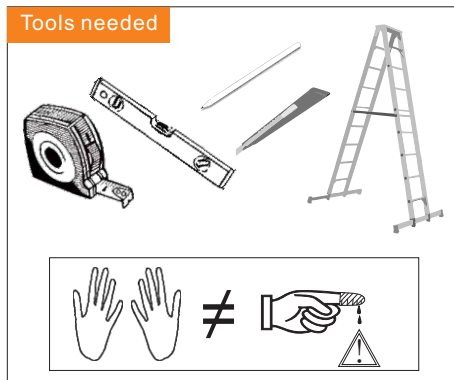
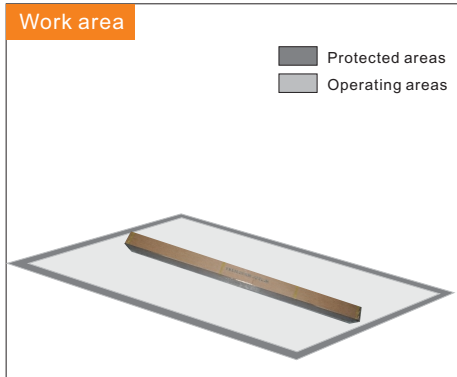
General Notes

1. Please read the user manual carefully before beginning, this will assist you in completing the installation quickly.
2. Please ensure there are no other objects such as power switches, outlets, furniture, windows, etc. occupying the space designated to hang the screen.
3. Regardless if the screen is installed inside or on the wall, make sure that the proper mounting anchors are used and the weight of the screen is supported (if unsure please consult a home improvement specialist for the best advise on installation.)
4. When not in use, roll up the screen to protect from dirt, grime or any other impurities.
5. When cleaning, use a damp soft cloth with warm water to remove any marks on the casing or the screen surface.
6. Never attempt to use any solutions containing chemicals or abrasive cleaners on the screen surface.
7. To avoid damaging the screen, do not touch the screen material directly with your fingers, tools or any other abrasive or sharp object.
8. Spare parts should parts should be stored out of reach of small children in accordance with household safety.

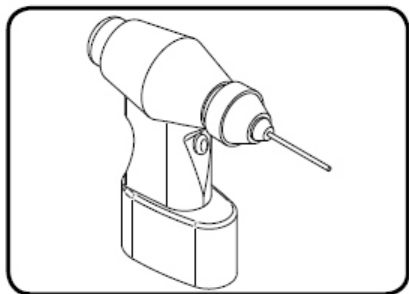
Packing List

Item	Specification	Qty
Screens		1PCS
RF Remote Control	RF Remote	1PCS
control cable	wire trigger	1PCS
Screws	M4X12	2PCS
Screws	M6X12	2PCS
Screws	M5X40	4PCS
Rubber Plug		4PCS
Rings		2PCS
Wall Bracket		2PCS
Hanging Sliding		2PCS
Hook		2PCS
Instruction		1PCS

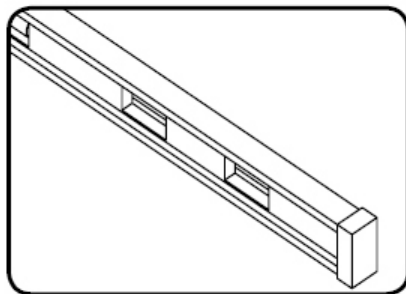
Preparation before installation



Required tools and parts



Electric drill with drill
and driver bits



Spirit level and pencil
for marking

Rolling out the screen

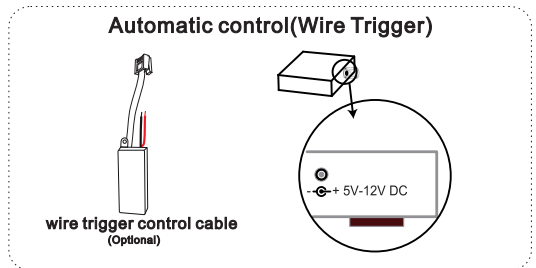
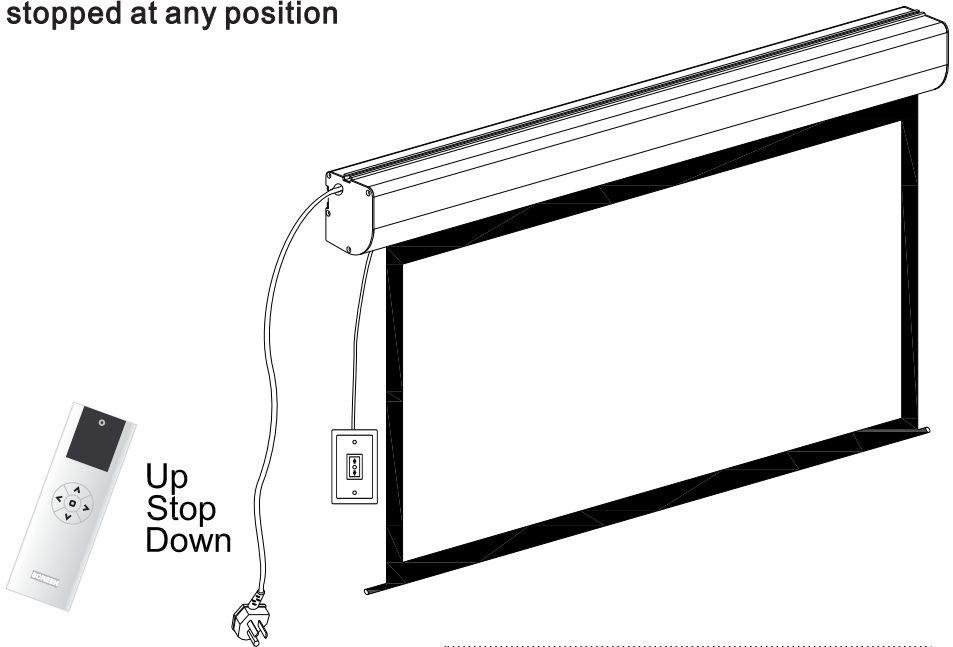
Press the down button on the switch and the screen will automatically un-roll and stop when it is fully extended.

Rolling back the screen

Press the up button on the switch and the screen will automatically roll up into the metal drum and stop when the screen is fully rolled up.

Stopping the screen

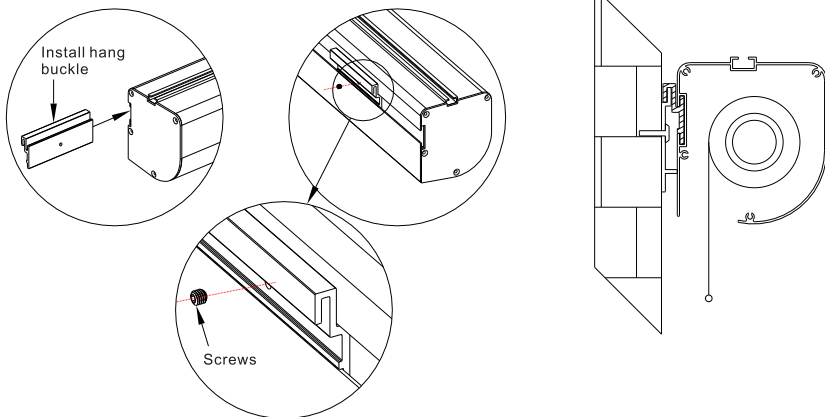
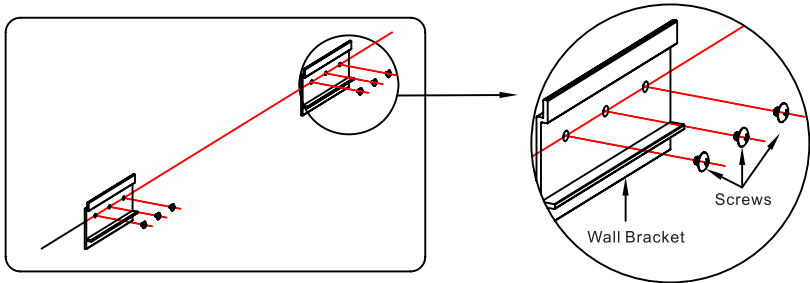
Press the middle button on the switch to stop the screen, it can be stopped at any position



Mounting the screen

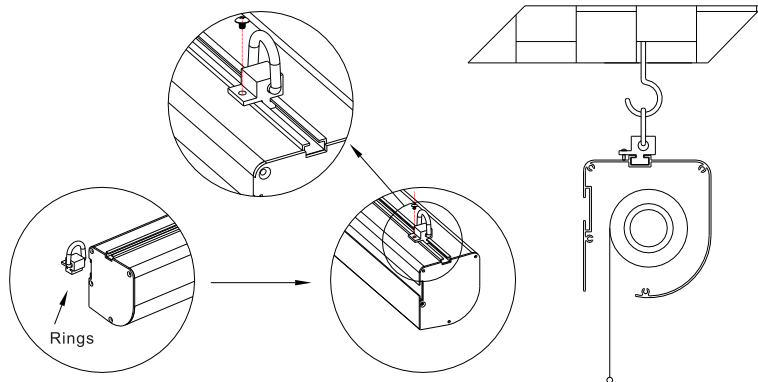
The screen can be installed in a 2 different ways with common household tools.

Wall mounting



Note: Please use proper anchoring hardware to avoid damage or injury

Ceiling mounting

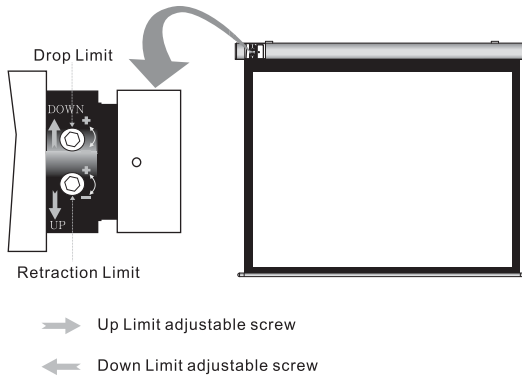


Note:

1. The control switch should be on the STOP position when the screen is not in use.
2. Before rolling back the screen, please make sure that there are no contaminants on the screen (dust, insects etc.)
3. The screen should not be continually rolled up and down over a 5 minute period as this may cause over heating of the motor. Allow the motor to cool before continuing use.

Adjusting the screen length limits

We only recommend that experienced AV installers undertake these procedures:



Up limit adjustments

1. Set the remote control to the “up” position.
2. While retracting the screen, if the screen does not fully retract, use the supplied adjustment tool to adjust the six angled adjustment screw . Turning the screw in the “+” position until the lower bar stops at the desired position
3. If the screen exceeds the desired position at the top, us the six angled adjustment tool and adjust the limit screw, turning the screw in the “-” direction. Then lower the screen and retract it, repeat this action until the screen stops in the desired position.

Down limit adjustments

1. Set the remote control to the “down” position.
2. While lowering the screen, if the screen does not fully come down, use the 6 angled adjustment tool and adjust the down limit screw, turning the screw around in the “+” position until the screen is in the desired position
3. If you want to shorten the top black border, use the six angled adjustment tool and adjust the down limit screw, turning the screw around to the “-” direction, then retract the screen and lower it, repeating this action until the screen stops in the desired position.

Screen Care

The surface of your screen is delicate. Special attention to these instructions should be followed when cleaning.

1. A draftsman style brush or feather duster may be used to lightly whisk away any loose dirt or dust particles.
2. For tougher spots, use a solution of mild liquid detergent and water. Rub lightly using a sponge or soft cloth. Blot with the sponge to absorb any excess water. Residual water marks will evaporate within a few minutes.
3. Do not use any other cleaning materials on the screen. Contact the factory if you have any questions about removing difficult spots.
4. Use a lint brush to remove any dust on the casing.

Warranty

Elunevision's warranty covers defects in workmanship and fabric, provided the screen has been install in a normal environment and maintained according to the written instructions.

Surface fabric and casing are guaranteed for (5) years from date of purchase

Motors, motor controllers and assembly hardware are guaranteed for (1) year including parts and labour - from the date of purchase.



Phone: 905-581-7752

Fax: 905-538-7968

www.EluneVision.com