

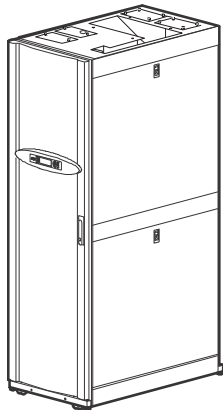
Installation Manual

150/175 KVA Modular PDU

PDPM150G6F
PDPM150L6F
PDPM175G6H

990-4384B-001

Publication Date: April, 2015



Schneider Electric IT Corporation Legal Disclaimer

The information presented in this manual is not warranted by the Schneider Electric IT Corporation to be authoritative, error free, or complete. This publication is not meant to be a substitute for a detailed operational and site specific development plan. Therefore, Schneider Electric IT Corporation assumes no liability for damages, violations of codes, improper installation, system failures, or any other problems that could arise based on the use of this Publication.

The information contained in this Publication is provided as is and has been prepared solely for the purpose of evaluating data center design and construction. This Publication has been compiled in good faith by Schneider Electric IT Corporation. However, no representation is made or warranty given, either express or implied, as to the completeness or accuracy of the information this Publication contains.

IN NO EVENT SHALL SCHNEIDER ELECTRIC IT CORPORATION, OR ANY PARENT, AFFILIATE OR SUBSIDIARY COMPANY OF SCHNEIDER ELECTRIC IT CORPORATION OR THEIR RESPECTIVE OFFICERS, DIRECTORS, OR EMPLOYEES BE LIABLE FOR ANY DIRECT, INDIRECT, CONSEQUENTIAL, PUNITIVE, SPECIAL, OR INCIDENTAL DAMAGES (INCLUDING, WITHOUT LIMITATION, DAMAGES FOR LOSS OF BUSINESS, CONTRACT, REVENUE, DATA, INFORMATION, OR BUSINESS INTERRUPTION) RESULTING FROM, ARISING OUT, OR IN CONNECTION WITH THE USE OF, OR INABILITY TO USE THIS PUBLICATION OR THE CONTENT, EVEN IF SCHNEIDER ELECTRIC IT CORPORATION HAS BEEN EXPRESSLY ADVISED OF THE POSSIBILITY OF SUCH DAMAGES. SCHNEIDER ELECTRIC IT CORPORATION RESERVES THE RIGHT TO MAKE CHANGES OR UPDATES WITH RESPECT TO OR IN THE CONTENT OF THE PUBLICATION OR THE FORMAT THEREOF AT ANY TIME WITHOUT NOTICE.

Copyright, intellectual, and all other proprietary rights in the content (including but not limited to software, audio, video, text, and photographs) rests with Schneider Electric It Corporation or its licensors. All rights in the content not expressly granted herein are reserved. No rights of any kind are licensed or assigned or shall otherwise pass to persons accessing this information.

This Publication shall not be for resale in whole or in part.

Contents

- Overview 1
 - Important Safety Information. 1
 - Related Documents. 1
 - User Comments 1

- Installation 2
 - Electrical Safety 2
 - Circuit Breaker Identification 3
 - Display Interface 4
 - Inrow Installation 5
 - Perform Equipotential Bonding 6
 - Connect and Level Enclosures 6
 - Secure the PDU 7
 - Stabilizing brackets 7
 - Circuit Breakers. 8
 - Circuit Breaker Torque Values 8
 - GEC and EGC Torque Values 8
 - Install Input Power Cables 9
 - Top entry installation 9
 - Bottom entry installation 10
 - Install Subfeed Cables 11
 - User Input/Output Contacts. 12
 - Connect the Communication Cable 13

Power Distribution Modules 14

Options 15

 Shunt Trip 15

 Tools Required (not provided) 15

 Output cables rating 15

 Installation 16

 Shielding Troughs 20

 Seismic Stability Kit 21

 Seismic side panel locks 21

 Floor brackets 24

 Install front anchoring bracket 25

 Roof stability brackets 26

Specifications 27

 Recommended conductor sizes 28

Overview

Important Safety Information

Read the instructions carefully and become familiar with the device before trying to install, operate, service or maintain it. The following messages may appear throughout this manual or on the equipment to warn of potential hazards or to call attention to information that clarifies or simplifies a procedure.



The addition of this symbol to a Danger or Warning safety label indicates that an electrical hazard exists which will result in personal injury if the instructions are not followed.



This is the safety alert symbol. It is used to alert you to potential personal injury hazards. Obey all safety messages that follow this symbol to avoid possible injury or death.

DANGER

DANGER indicates an imminently hazardous situation which, if not avoided, **will result in death** or serious injury.

WARNING

WARNING indicates a potentially hazardous situation which, if not avoided, **can result in death** or serious injury.

CAUTION

CAUTION indicates a potentially hazardous situation which, if not avoided, **can result in minor** or moderate injury.

NOTICE

NOTICE addresses practices not related to physical injury including certain environmental hazards, potential damage or loss of data.

Related Documents

Download technical publications and other technical information or look for updates to your manual at our website, www.schneider-electric.com.

User Comments

We welcome your comments about this document. Contact www.schneider-electric.com/support/

Installation

Electrical Safety

SAVE THESE INSTRUCTIONS!

DANGER

HAZARD OF ELECTRIC SHOCK

- Electrical equipment must be installed, operated, serviced, and maintained only by qualified personnel. To remove a Power Distribution Module:
 - Turn off all power supplying the equipment and perform appropriate lockout/tagout procedures before installing or removing the Power Distribution Module.
- OR
- If a Symmetra PX or Symmetra MW UPS is providing power to the Modular PDU, place the UPS into battery operation (to reduce fault current) before removing the Power Distribution Module. To place the UPS into battery operation, see the UPS Operation Manual.
- The PDU must be installed in accordance with the National Electrical Code or the Canadian Electrical Code and all applicable local codes.
- Turn off all power supplying this equipment before working on the equipment or before installing or removing a power distribution module. Perform appropriate lockout/tagout procedures.
- Service access areas are locked with a Red Key. The Red Keys must remain under the control of qualified service personnel.
- Wear appropriate personal protection equipment (PPE) when performing maintenance on this PDU.

Failure to follow these instructions will result in death or serious injury.

WARNING

TIP HAZARD

This equipment is easily tipped. Use extreme caution when unpacking and moving.

Failure to follow these instructions can result in death, serious injury, or equipment damage.

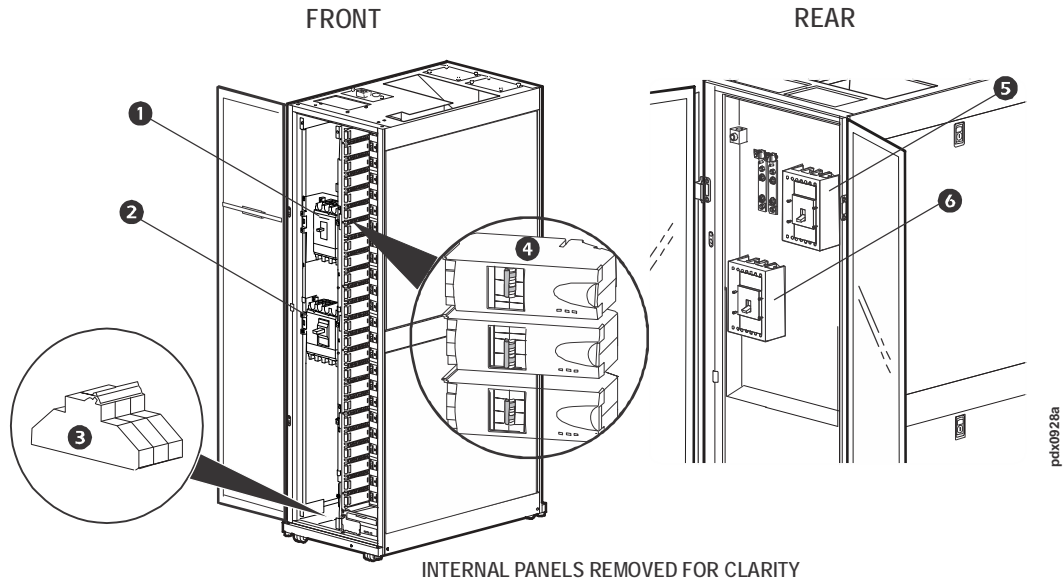
CAUTION

UNPROTECTED OUTPUTS

Remove cover plates from the unit before cutting holes or removing knockouts for cable access. Metal debris can cause serious equipment damage. A metal punch can be used to make the holes in the plates.

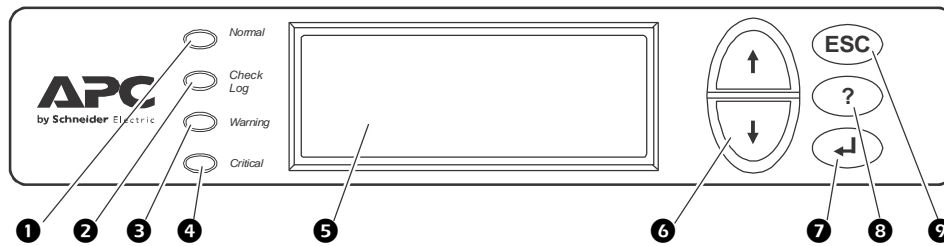
Failure to follow these instructions can result in injury or equipment damage.

Circuit Breaker Identification



Item	Description	Item	Description
①	UIB - Unit Input Breaker	④	Module Circuit Breaker
②	MOB - Main Output Breaker	⑤	UOB1 - Unit Output Breaker 1
③	Fan Tray Circuit Breaker	⑥	UOB2 - Unit Output Breaker 2

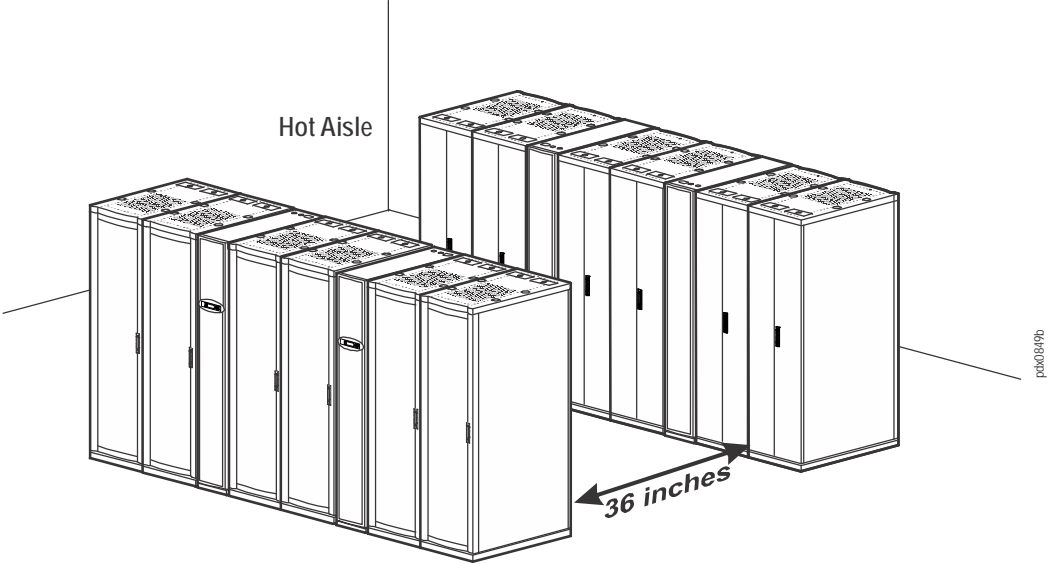
Display Interface



❶	Normal LED	Green = no alarms are present.
❷	Check Log LED	Green = a new event has been added to the log.
❸	Warning LED	Yellow = there are one or more active warning alarms in the system.
❹	Critical LED	Red = there are one or more active critical alarms in the system.
❺	LCD Screen	Displays alarms, status data, instructional help, and configuration items.
❻	UP and DOWN keys	Used to scroll through menu items.
❼	ENTER	Press to display new screens, open menu items, and finalize selections.
❽	? - HELP	Press to open content-sensitive help.
❾	ESC	Press to return to the previous screen.

Inrow Installation

Maintain 36" hot aisle and 42" cold aisle spacing.

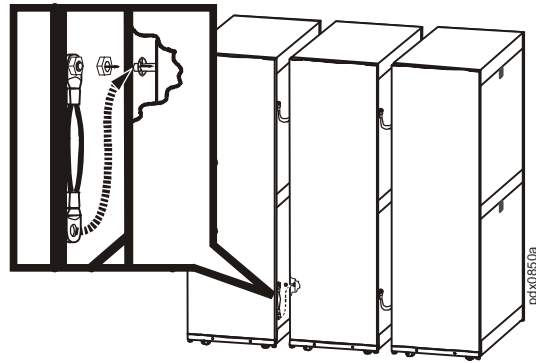


Perform Equipotential Bonding

NOTE: This task is for installations using a sidecar only.

Proper bonding is essential to create an equipotential plane between service grounds and equipment during fault and transient conditions.

Connect the two equipotential bonding conductors between adjacent enclosures in the system. The bonding conductors are pre-connected to the PDU. The M8 nuts and washers are supplied in the accessory kit. Move the equipotential bonding wires to fit your system configuration.

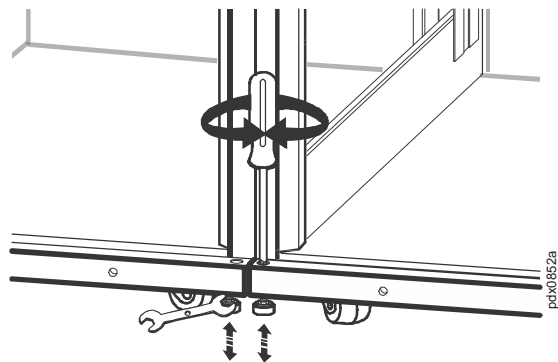


Connect and Level Enclosures

The equipment must be installed on a level floor. The leveling feet will stabilize the enclosure, but will not account for a badly sloped floor. If the PDU is on a raised-tile floor, verify that it is properly aligned with the tiles.

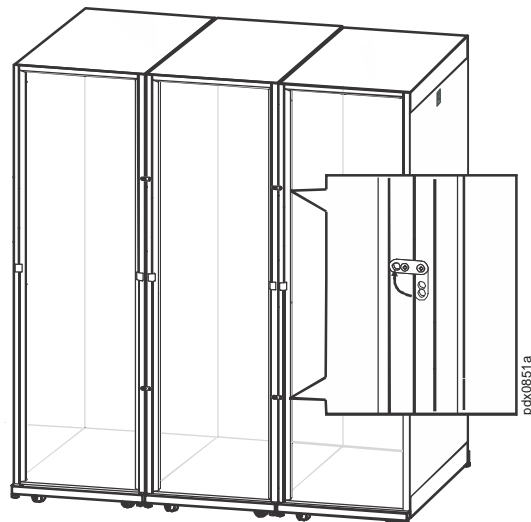
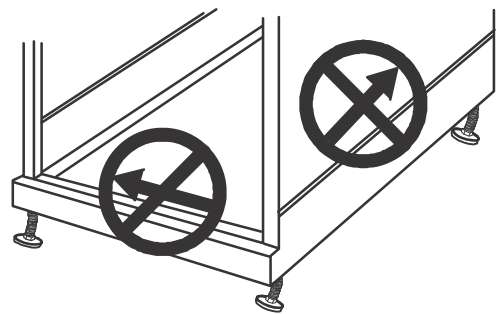
- ❶ Align the enclosures.
- ❷ Use a screwdriver to lower the four leveling feet.
- ❸ Use a 17mm wrench to adjust the leveling feet.

- ❹ Do not move the enclosure after the leveling feet have been lowered.



- ❺ Turn the joining brackets and secure with a screw to connect the enclosures.

NOTE: Joining brackets are located on the front and rear of the PDU.



Secure the PDU

⚠ CAUTION

TIPPING/HEAVY EQUIPMENT HAZARD

Anchor the unit to the floor to enhance stability.

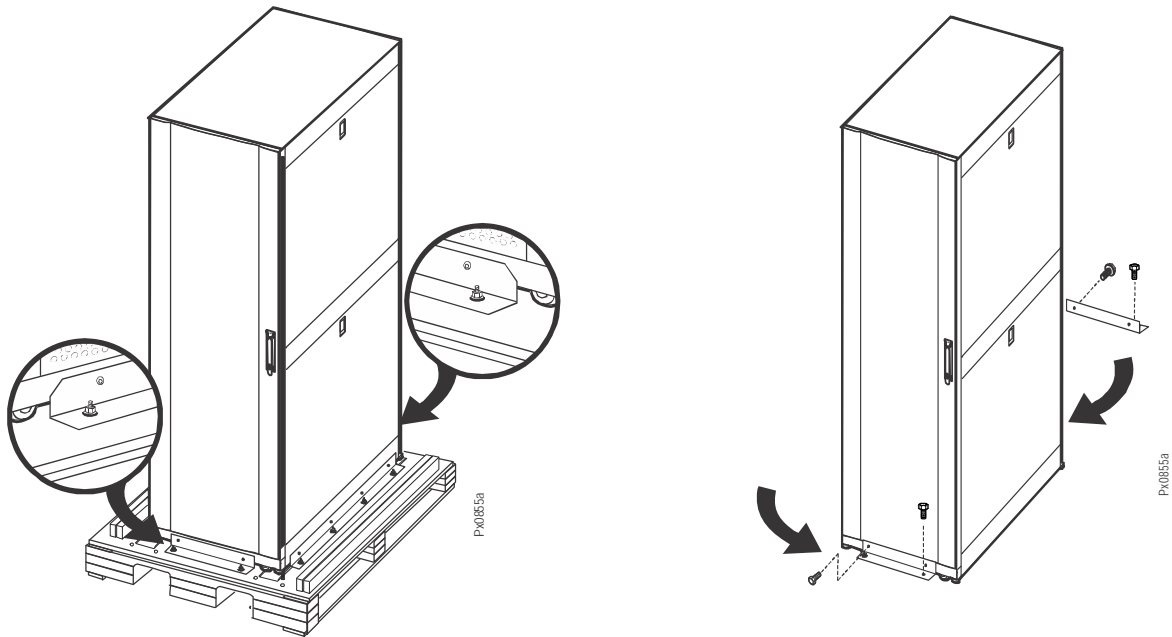
Failure to follow these instructions can result in injury or equipment damage.

Stabilizing brackets

Use the front and rear brackets from the shipping pallet to secure the PDU to the floor. Attach the front and rear brackets to the PDU.

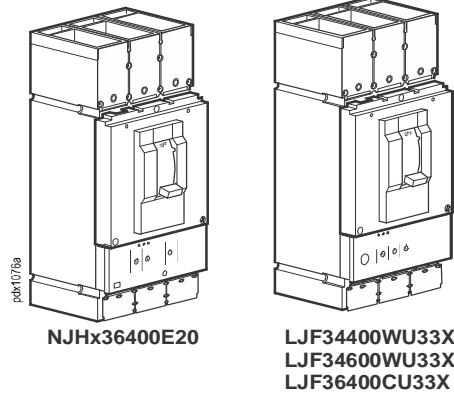
The bolts used to attach the bracket to the PDU while it was on the pallet may be reused.

Use appropriate hardware (not supplied) to attach the brackets to the floor.



Circuit Breakers

Check the part number on the circuit breaker and compare to the table below to ensure the correct torque values are applied during power cable installation.



⚠ CAUTION
HAZARD OF EXCESSIVE TERMINAL TEMPERATURE
<ul style="list-style-type: none"> • Ensure clockwise phase rotation and neutral location of the power terminal bolt. • The required torque values are: 62 N•m for the Neutral, 31 N•m for the 3 phases in the NSJ breaker, 50 N•m for the 3 phases in the L-frame and L-frame Mission Critical breaker, 5.6 N•m for the EGC.
Failure to follow these instructions can result in injury or equipment damage.

Circuit Breaker Torque Values

Torque Values for L1, L2, and L3.

SKU	UIB	UOB
PDPM150L6F	JLF36150CYE 28.3 N•m (250lb-in)	NJHx36400E20 31.1 N•m (275 lb-in)
		LJF36400CU33X 50 N•m (442 lb-in)
PDPM150G6F	NJHx36400E20 31.1 N•m (275 lb-in)	NJHx36400E20 31.1 N•m (275 lb-in)
	LJF34400WU33X 50 N•m (442 lb-in)	LJF36400CU33X 50 N•m (442 lb-in)
PDPM175G6H	NJHx36400E20 31.1 N•m (275 lb-in)	NJHx36400E20 31.1 N•m (275 lb-in)
	LJF34600WU33X 50 N•m (442 lb-in)	LJF36400CU33X 50 N•m (442 lb-in)

GEC and EGC Torque Values

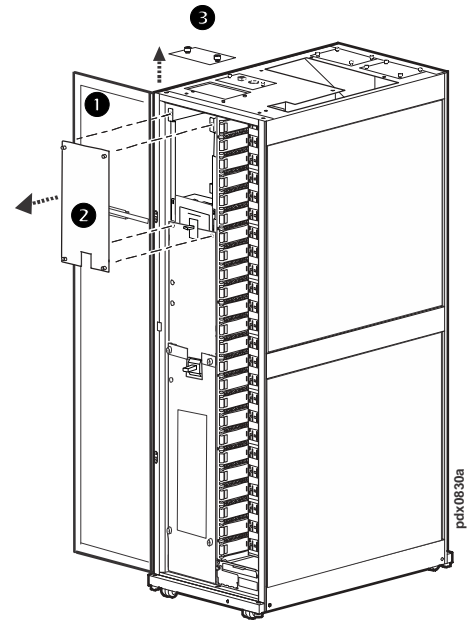
These values are the same no matter which circuit breaker is installed in your PDU.

Grounding Electrode Conductor (GEC)	550 lb-in (62.2 Nm)
Equipment Grounding Conductor (EGC)	50 lb-in (5.6 Nm)

Install Input Power Cables

Top entry installation

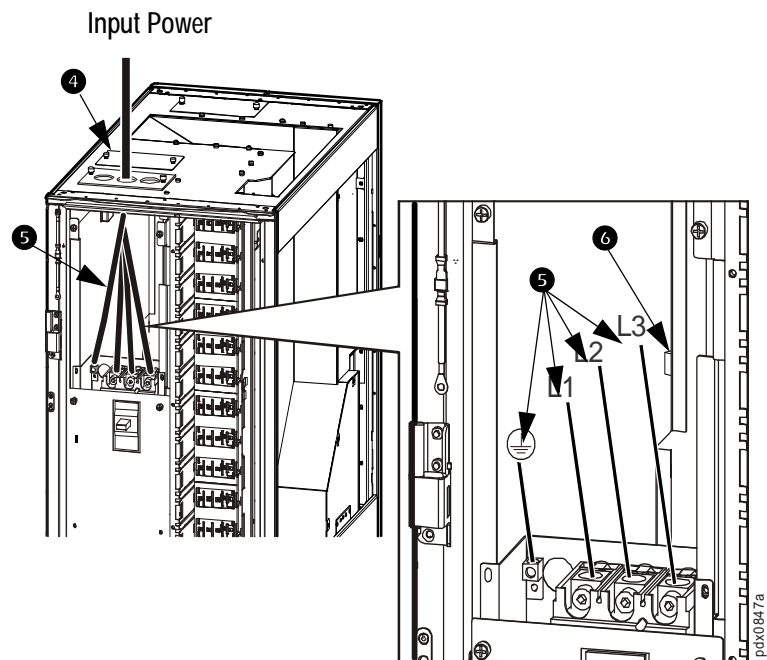
- 1 Open the front door. Unlatch and swing the display interface and bracket out towards the front door.
- 2 Loosen the captive screws and remove the top interior panel.
- 3 Loosen the captive screws and remove the front top plate.



- 4 Drill holes in the plate for conduit and re-install the plate with the conduit installed.

- 5 Connect the input power cables. L1, L2, L3:
See the table on page 8 for the torque values for the circuit breakers on your PDU.

- 6 Connect the Grounding Electrode Conductor. The torque values are available on page 8.

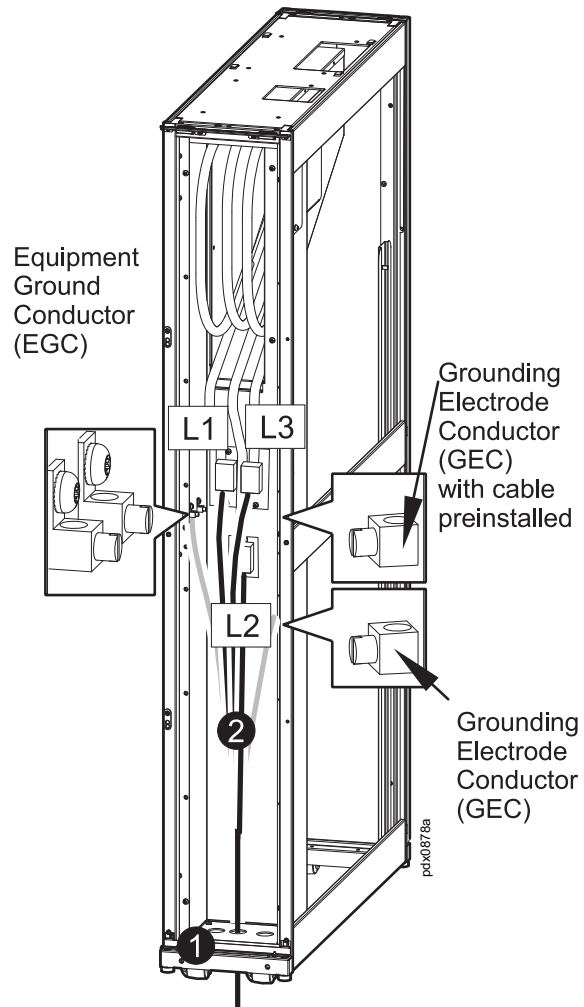
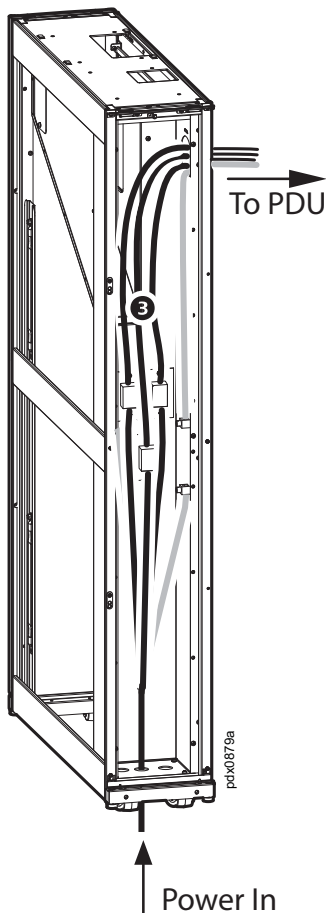


Bottom entry installation

NOTE: The sidecar is required for underfloor wiring into the PDU. The side car does not contain a switch or circuit breaker so a readily accessible disconnect device must be installed external to the equipment.

PDU Model	Sidecar Model
PDPM150G6F PDPM150L6F	PDPM150SC
PDPM175G6H	PDPM100SC

- ❶ Remove the dedicated cover plate. Drill holes in the plate for conduits and re-install the plate with the conduits installed.
- ❷ Route the conductors (input conductors in single utility systems or bypass conductors in dual utility systems) through the bottom of the side car.

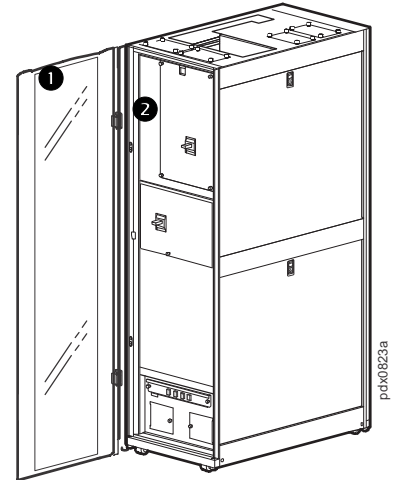


- ❸ Connect the input/bypass conductors to the L1, L2, L3, EGC, and GEC terminals and torque to the specifications on the label.

Install Subfeed Cables

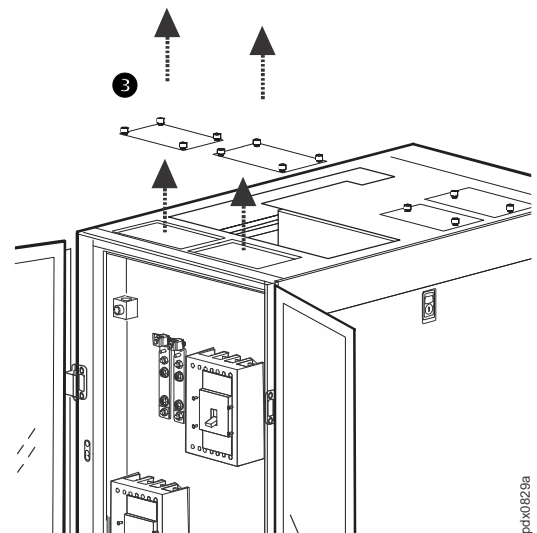
1 Open the rear doors.

2 Remove the subfeed interior panel.



3 Loosen the four captive screws on each of two dedicated cover plates on the rear of the roof. Drill holes in the plates for conduits and re-install the plate with the conduits installed.

NOTE: Remove cover plates before cutting holes.



NOTE: Make a note of the part number of the subfeed circuit breakers, Unit Output Breaker 1 (UOB1) and Unit Output Breaker 2 (UOB2), in your PDU. The torque values will differ. See page 8 for more information.

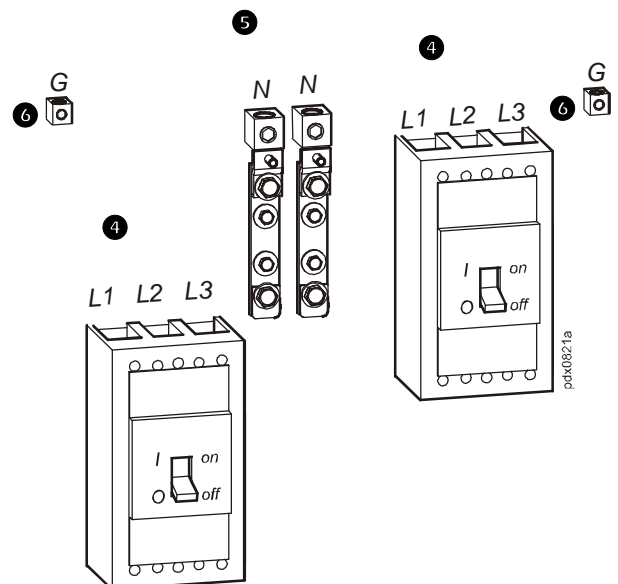
4 Connect the phase (L1, L2, L3) cables..

5 Connect the neutral (N) cable.

6 Connect the ground (G) cable.

7 Install the subfeed interior panel and close the rear doors of the PDU.

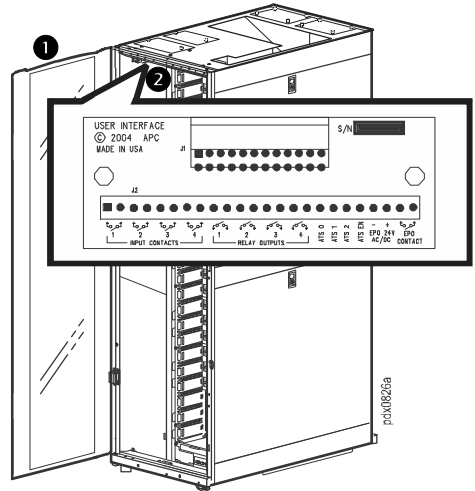
NOTE: Use the same procedure to connect UOB1 and UOB2 Circuit Breakers.



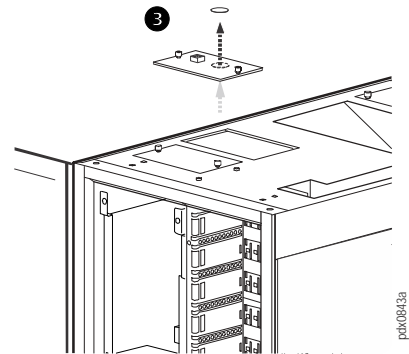
User Input/Output Contacts

NOTE: Contact wires from external signaling, alarming, and sensing devices may be connected to the interface board to allow the controller to monitor these devices and to also control outside devices through the output contacts.

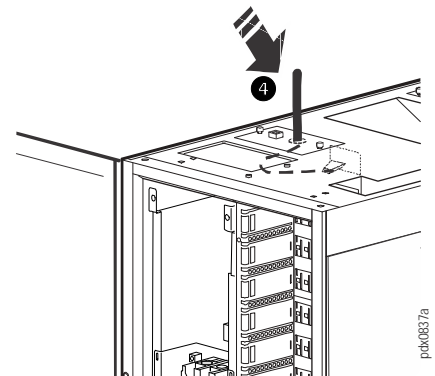
- 1 Open the front door and remove the top safety panel.
- 2 Note the location of the interface board in the top of the PDU.



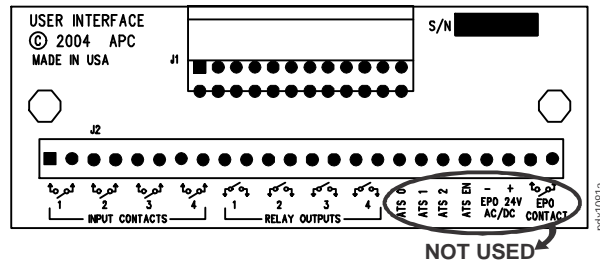
- 3 Loosen the captive screws and remove the plate. Remove the 3/4 in (19mm) knockout.



- 4 Run the contact cables through the hole to the interface board.



- 5 Make connections to the labelled terminals on the interface board.



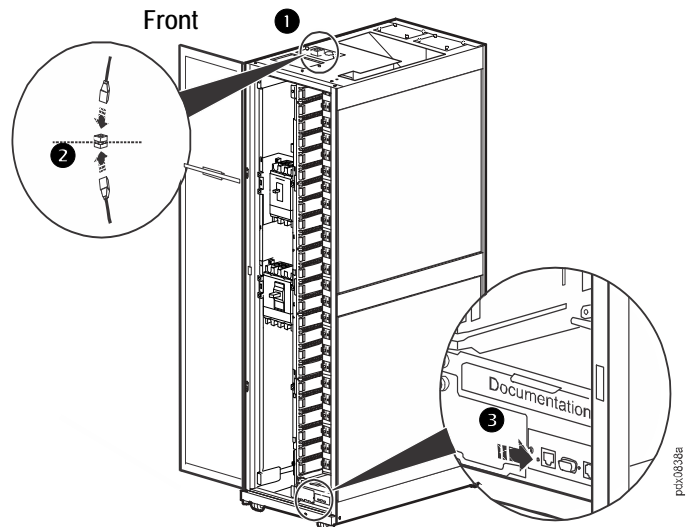
NOTE: Input Contacts are Normally open.

Output Contacts: SPST N/O, 1A@30VDC. AS0, ATS1, ATS2, ATSEN, ATS EN, the +/- EPO 24V AC/DC positions, and both EPO CONTACT positions are reserved and not available.

Wiring: 18 AWG to 24 AWG is recommended.

Connect the Communication Cable

- 1 Connect the network cable for StruxureWare or your local area network to the RJ-45 connection coupling on top of the PDU.
- 2 Inside the PDU enclosure, a second network cable is connected to the other side of RJ-45 coupling.
- 3 The other end of the internal cable is plugged into the RJ-45 port on the panel cover of the controller located at the bottom of the unit.



Power Distribution Modules

See the Power Distribution Module Installation Sheet shipped with each module or online at www.schneider-electric.com.

Factory installed filler plates and slot locks cover each module position.

Before putting the unit into service, each open module position must be covered with a filler plate or a Power Distribution Module (PDM). All positions must be secured with a slot lock.

Options

Shunt Trip

Shunt Trip models for field installation:

- S29384 for 24VAC
- S29382 for 12VAC
- S29390 for 24VDC
- S29391 for 30VDC

⚠ ⚠ DANGER

HAZARD OF ELECTRIC SHOCK, EXPLOSION, OR ARC FLASH

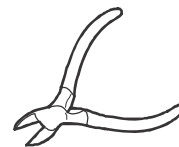
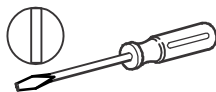
- Electrical equipment must be installed, operated, serviced, and maintained only by qualified personnel. To remove a Power Distribution Module:
 - Turn off all power supplying the equipment and perform appropriate lockout/tagout procedures before installing or removing the Power Distribution Module.
- OR
- If a Symmetra PX or Symmetra MW UPS is providing power to the Modular PDU, place the UPS into battery operation (to reduce fault current) before removing the Power Distribution Module. To place the UPS into battery operation, see the UPS Operation Manual.
- Service access areas are locked with a Red Key. The Red Keys must remain under the control of qualified service personnel.
- Wear appropriate personal protective equipment (PPE) and follow safe electrical work practices. See NFPA 70E.

Failure to follow these instructions will result in death or serious injury.

NOTICE

Manufacturer's installation instructions are available inside the Shunt Trip packaging.

Tools Required (not provided)

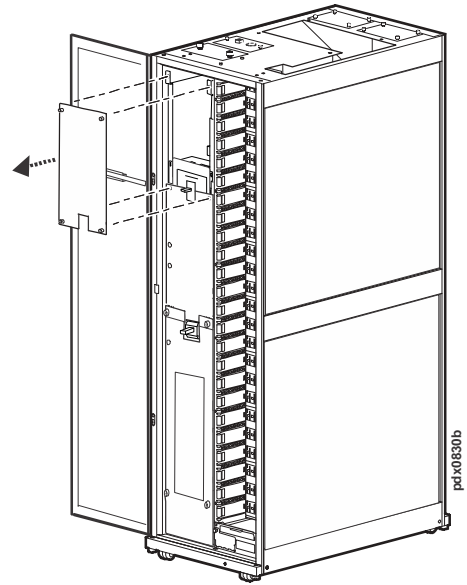


Output cables rating

Use 18 AWG - 14 AWG UL listed wires. Install Class 2 wiring with separation of circuits and wiring in compliance to NFPA/NEC 70. The wires from the Shunt Trip must not exit through the same opening as the power cables. They can exit through any other hole in the roof or a separate hole can be made in the plates to accommodate the Shunt Trip wires.

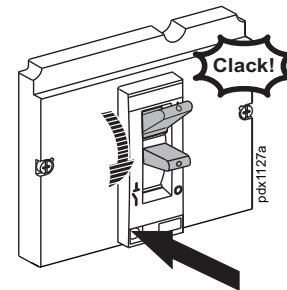
Installation

- 1 Shut off all power coming into the PDU.
- 2 Open the front door and remove the interior panels to access the circuit breaker.



- 3 Press the Red "Push to Trip" button on the circuit breaker. When the circuit breaker is tripped, the handle will be located in the middle, between the On position and the OFF position.

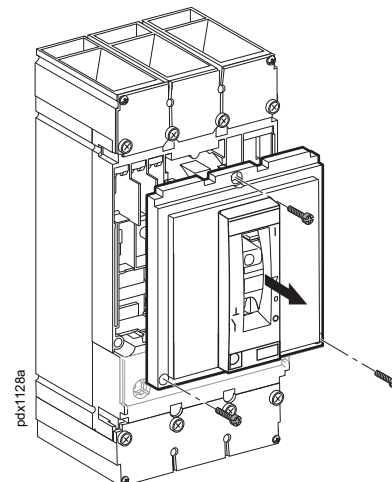
⚠ CAUTION
HAZARD OF MOVING PARTS The Circuit Breaker handle snaps to the Tripped position very quickly when the "Push to Trip" button is engaged. To keep the handle from striking your hand, use a long screwdriver to push the button. Failure to follow these instructions can result in injury.



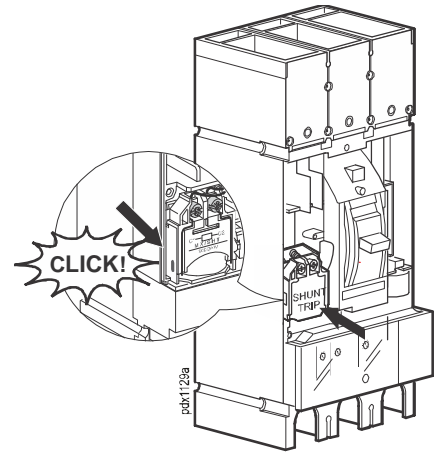
Press Red 'Push to Trip' Button

- 4 Remove three screws and the access cover from the circuit breaker.

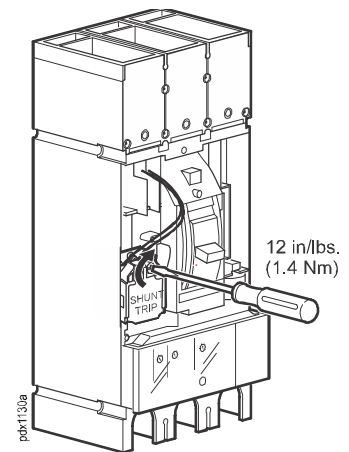
NOTICE
Some circuit breakers use screws of different lengths to attach the access cover. Observe and make note of the length of the screw removed from each location.



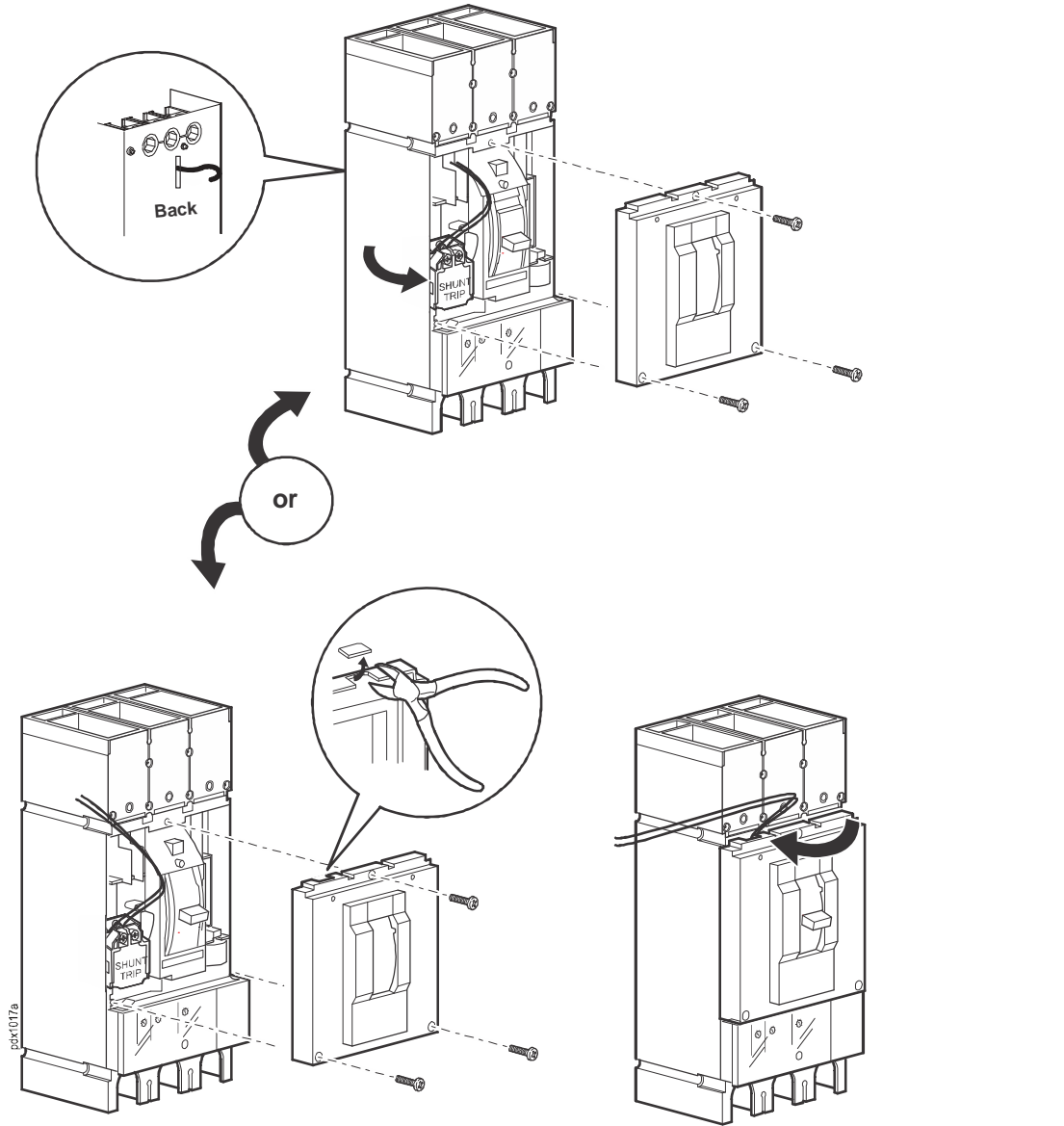
- 5 Press the Shunt Trip into the lower left compartment of the circuit breaker, according to the manufacturer's instructions.



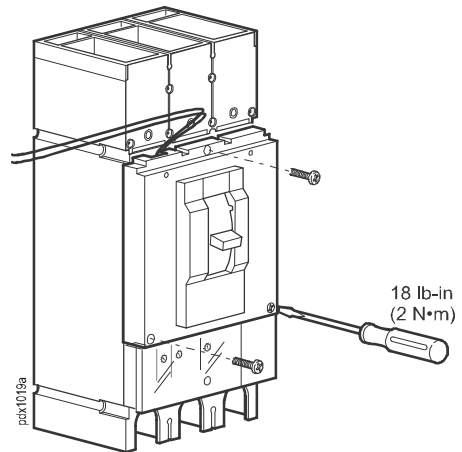
- 6 Use the screwdriver to attach the wires to the Shunt Trip. Tighten the screws. Torque to 12 lb-in (1.4 N•m).



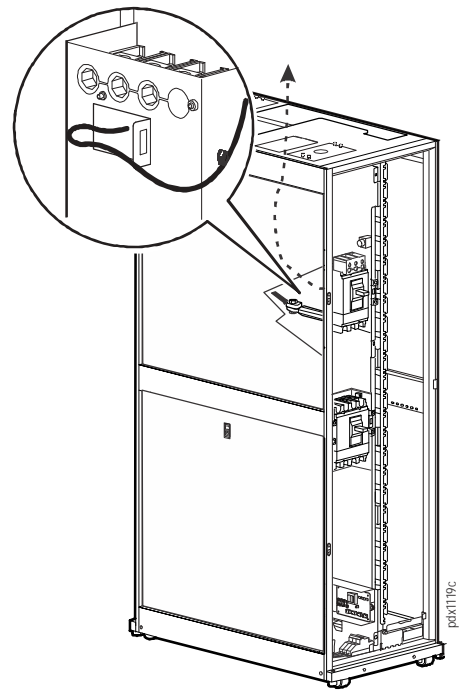
- 7 Route the wires through the circuit breaker.
 Refer to the instructions included in the Shunt Trip package for more information.
 Route the wires according to requirements and local regulations.



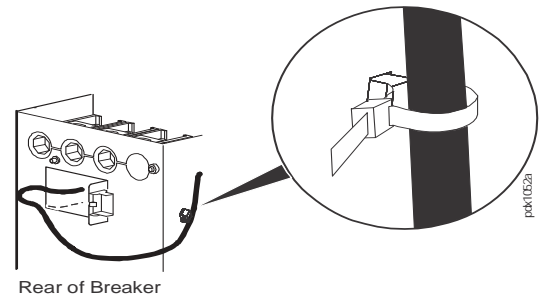
- 8 Replace the circuit breaker access cover. Torque the three screws to 18 lb-in (2 N•m).



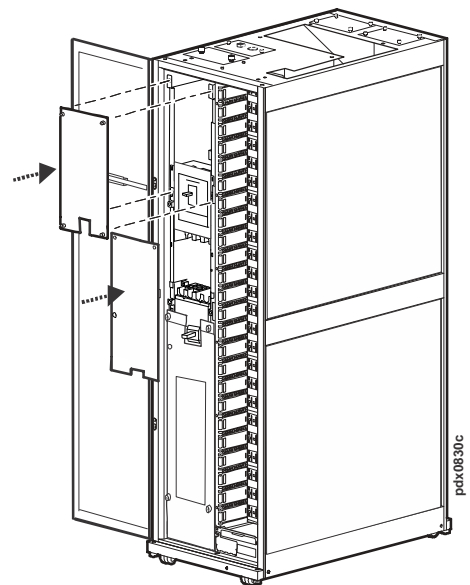
- 9 Remove the top plate and punch or drill an access hole for the Shunt Trip cable.
Route the Shunt Trip cable through the top plate using appropriate strain relief.



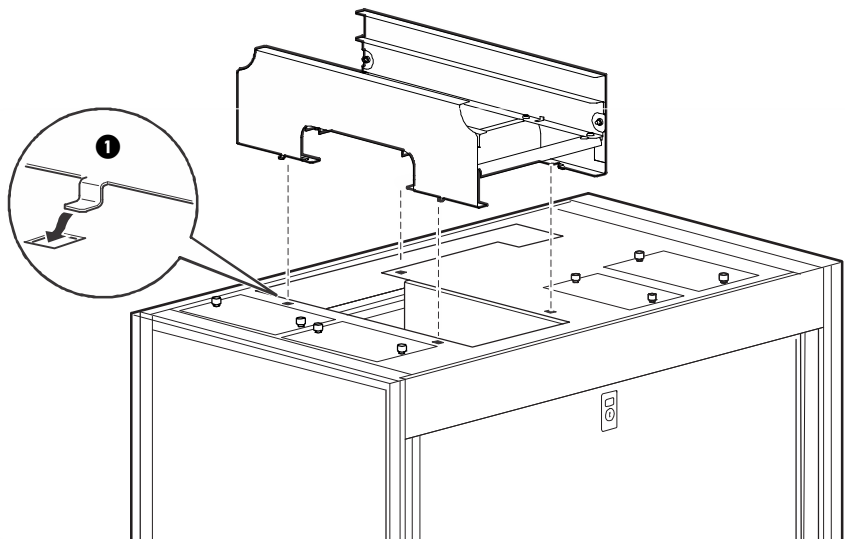
- 10 Use the tie down slots on the inside of the PDU to attach cable ties and secure the Shunt Trip cable. Maintain proper spacing from power cables.



- 11 Replace the interior covers on the PDU before closing the door.

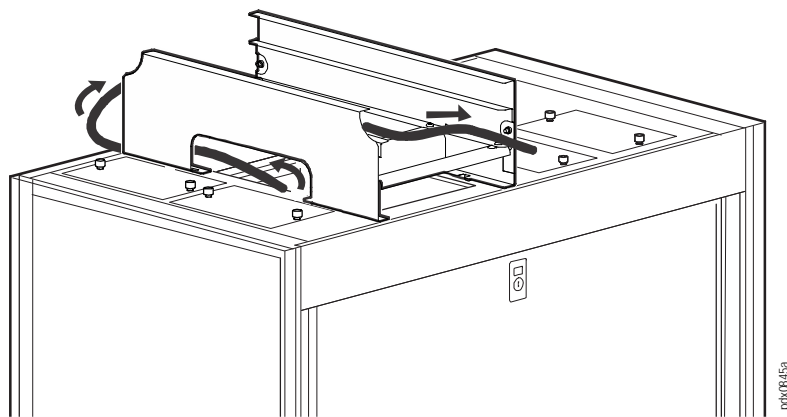


Shielding Troughs



- 1 Snap a Schneider Electric trough into slots on the roof of the PDU. The tabs at the base of the trough must fit securely into the slots.

NOTE: Align the PDU trough with troughs installed on top of the adjacent enclosures.

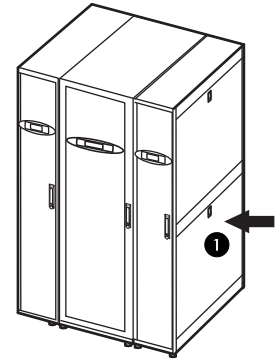


- 2 Feed PDM cables through the roof of the PDU and into the trough system for connection with the appropriate rack-mount PDUs.

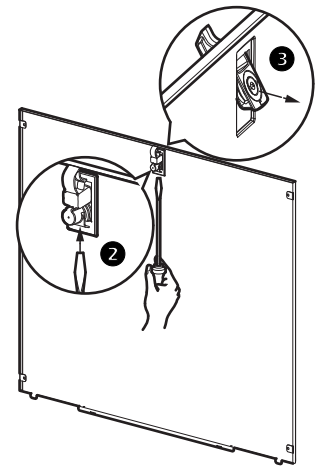
Seismic Stability Kit

Seismic side panel locks

- 1 Remove the side panels from the end of row cabinets.

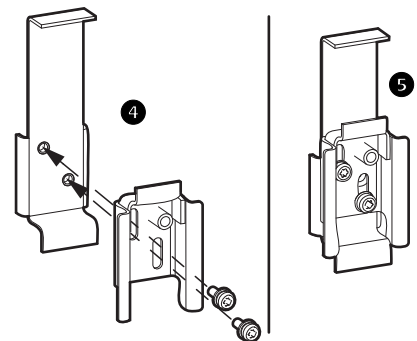


- 2 Remove the standard lock. Use a screwdriver to press on the tab that secures the lock to the side panel.
- 3 Pull the lock out and up and remove it from the side panel.

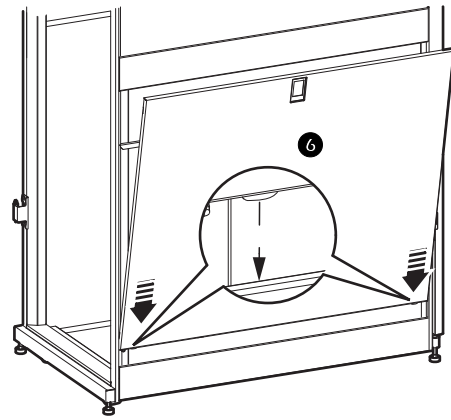


- 4 Install the seismic lock. Put the two parts together.

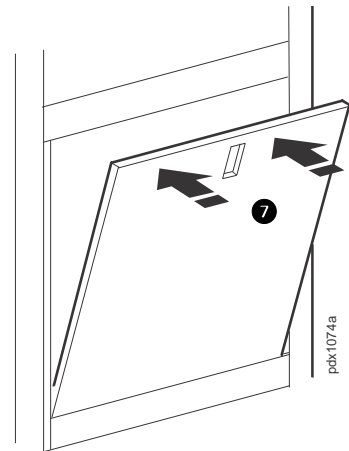
- 5 Loosely tighten the screws.



- 6 Place the side panel at an angle at the bottom of the frame.



- 7 Push the top of the side panel in place.

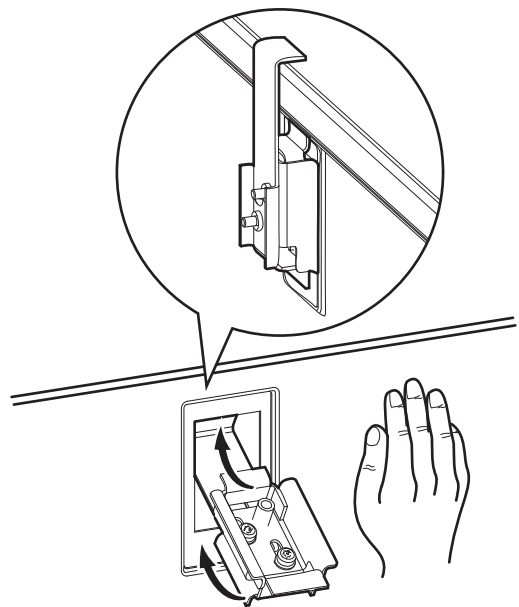


- 8 Hold the side panel with one hand.

Take the lock assembly and guide the top through the hole in the side panel.

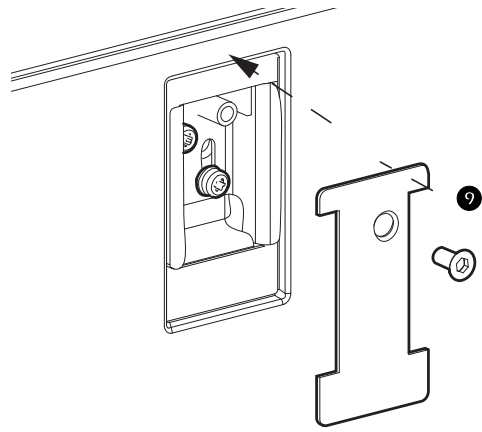
Lift the lock assembly in place.

Ensure that the upper and lower tabs are hidden behind the side panel.



- Secure the two screws in the lock assembly.

Install the lock cover using the provided screw.

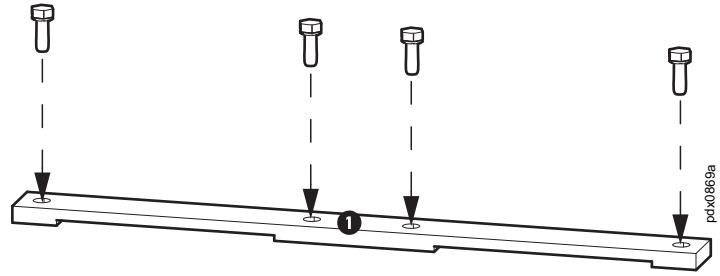


pdx1075a

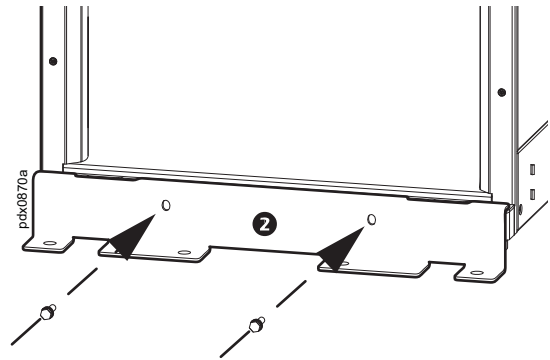
Floor brackets

Install rear anchoring brackets

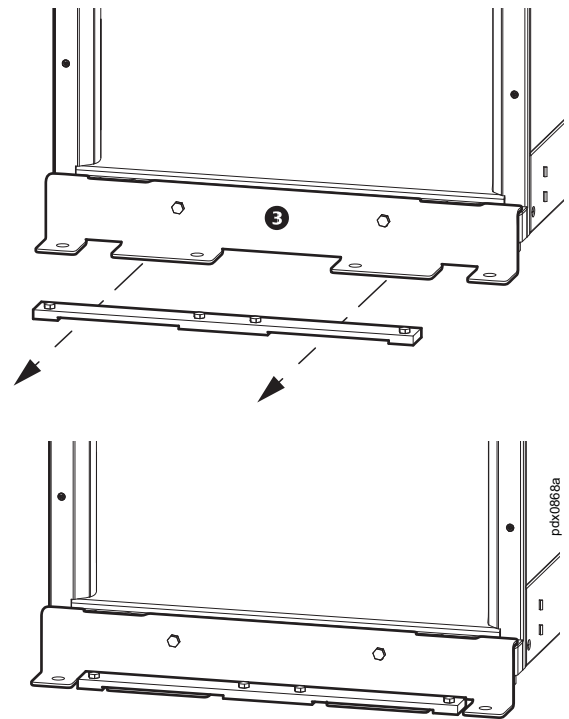
- 1 Secure the floor anchoring bracket to the floor using floor anchoring bolts (not supplied). Use M12 strength class 8.8 or 1/2 inch, grade 5 steel bolts.



- 2 Secure the other half of the bracket assembly to the back of the unit.

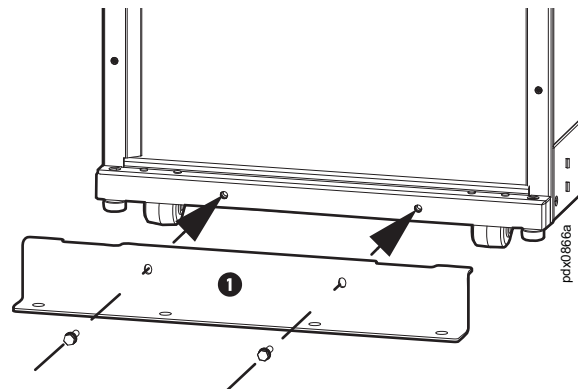


- 3 Push the PDU to slide the tabs on the bracket mounted to the PDU under the bracket bolted to the floor.

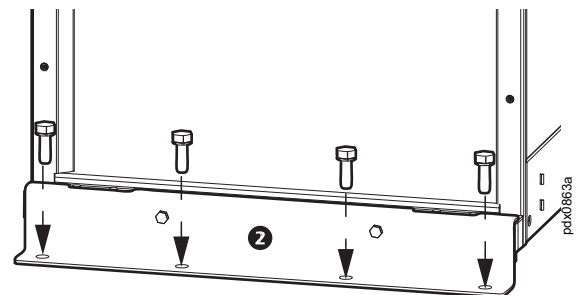


Install front anchoring bracket

- 1 Secure the front anchoring bracket to the enclosure.



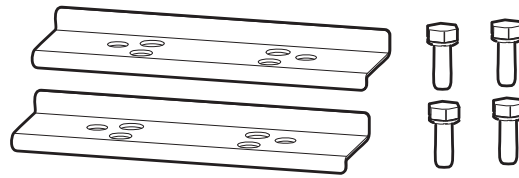
- 2 Secure the front anchoring bracket to the floor using floor anchoring bolts (not supplied). Use M12 strength class 8.8 or 1/2 inch, grade 5 steel bolts.



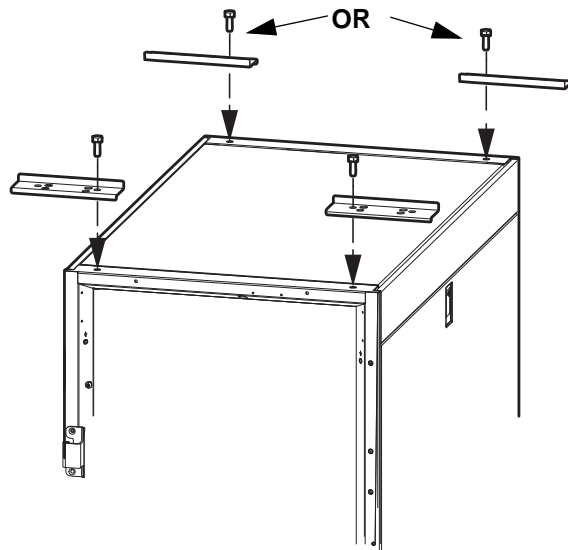
Roof stability brackets

The contents of the top stability kit are:

- two brackets
- four screws



One top assembly bracket is attached at the front and one at the back over two adjacent cabinets. Secure with the four screws (included).



Roof brackets can be mounted on either side.

Specifications

	PDPM150G6F	PDPM150L6F	PDPM175G6H
Weight	836kg (1839.2 lb)	881 kg (1938.2 lb)	941kg (2070.2 lb)
Shipping Weight	882kg (1940 lb)	927kg (2039.4 lb)	987kg (2171.4 lb)

AC Input			
	PDPM150G6F	PDPM150L6F	PDPM175G6H
Nominal voltage	480V, 3W + G + GEC	600V, 3W + G + GEC	480V, 3W + G + GEC
Frequency	60 Hz	60 Hz	60 Hz
Maximum continuous current	180 A	150 A	214 A
Nominal current	178 A	141 A	214 A
Recommended current rating of input circuit breakers			
Mains Input ¹	225 A	200 A	300 A
Inrush currents			
Inrush Current ²	2000 A	1500 A	2100 A
¹ Standard circuit breakers are rated to carry 80% of their current rating continuously. ² The supply overcurrent protective device must be able to handle the listed transformer inrush currents.			

AC Output			
	PDPM150G6F	PDPM150L6F	PDPM175G6H
Nominal voltage	208Y/120V, 3W + N + G	208Y/120V, 3W + N + G	415Y/240V, 3W + N + G
Maximum continuous current	400 A	400 A	243 A
Full load rating	144 kW @ 208V 3 PH	144 kW @ 208V 3 PH	175kW @ 415V 3 PH
Power distribution module (PDM)	208/120V, 3-pole modules	208/120V, 3-pole modules	415/240V, 3-pole modules
Power distribution poles available	72	72	72
Maximum number of PDMs	24	24	24

Distribution Transformer			
	PDPM150G6F	PDPM150L6F	PDPM175G6H
Size	150 kVA	150 kVA	175 kVA
Type	Delta/Wye	Delta/Wye	Delta/Wye
Input voltage	480V	600V	480V
Input current	180 A	150 A	214 A
Output voltage	208Y/120V	208Y/120V	415Y/240V
Output current	400 A	400 A	243 A
Thermal sensing	180 NC	180 NC	180 NC
Weight	455 kg (1003 lb)	500 kg (1102 lb)	560 kg (1235 lb)
Efficiency	98.2% min.	98.2% min.	98.5% min.
Frequency	60 Hz	60 Hz	60 Hz
Noise	< 55 db @ 1 m	< 55 db @ 1 m	< 55 db @ 1 m

Environment and Compliance	
Temperature	Operating: -5 to +40°C (23 to 104°F) Storage: -25 to +65°C (-13 to 149°F)
Humidity	Operating: 0 to 95%, non-condensing Storage: 0 to 95%, non-condensing
Maximum Operating Elevation	3000 m (9,842.5 ft)
Certification	UL and cUL
Maximum Short-Circuit Withstand Rating*	PDPM150G6F 65 kA PDPM150L6F 50 kA PDPM175G6H 30 kA
* The Maximum Short-Circuit Withstand Rating was not evaluated by Underwriters Laboratories.	

NOTE: Circuit breakers and conductor ampacity are derated in accordance with the National Electrical Code.

Recommended conductor sizes

NOTE: All wiring must comply with all applicable national and or local electrical codes.

Conductor sizing in this manual is based on Table 310-16 of the 2011 National Electrical Code (NEC) with the following assertions:

- 90°C conductors (THHN) for 75°C termination
- 3 Current Carrying Conductors for Unit Input Circuit Breaker and 4 Current Carrying Conductors for Subfeed Circuit Breaker
- An ambient temperature of 30°C
- Two conduits for each subfeed
- One Equipment Grounding Conductor for each conduit

If the ambient room temperature is greater than 30°C, larger conductors are to be selected in accordance with the correction factors of the NEC.

Equipment Grounding Conductors (EGC) are sized in accordance with NEC Article 250-122 and Table 250-122.

Grounding Electrode Conductors (GEC) are sized in accordance with NEC Article 250-66 and Table 250-66.

The conductor sizes are recommendations for maximum configurations. Even if the load is less than the maximum rating, it is wise to plan for future load increases. If the system is operated at a lower load than its rating and it is desired to supply the system with a lower rated breaker and smaller conductors, conductor ampacities are to be selected in accordance with the NEC. The transformer inrush must be taken into account when sizing conductors.

Table for 30°C ambient/ 3CCC	PDPM150G6F 480:208	PDPM150L6F 600:208	PDPM175G6H 480:415
Mains Input/IIH	Cu: 4/0 AWG Al: 300kcmil 75°C conductor minimum	Cu only: 3/0 AWG 90°C conductor minimum	Cu: 300kcmil Al: 400kcmil 75°C conductor minimum
Equipment Grounding Conductor (EGC)	Cu: 4 AWG Al: 2 AWG	Cu: 6 AWG	Cu: 4 AWG Al: 2 AWG
Grounding Electrode Conductor (GEC)	Cu: 2 AWG Al: 1/0 AWG	Cu: 2 AWG	Cu: 2 AWG Al: 1/0 AWG
Output	Supplied with Power Distribution Modules		
4CCC Subfeed Output	Cu: (2) 250kcmil IIH and N, 3 AWG EGC, GEC not required. Al: (2) 350 kcmil IIH and N, 1 AWG EGC, GEC not required. 90°C conductor minimum	Cu: (2) 250kcmil IIH and N, 3 AWG EGC, GEC not required. Al: (2) 350 kcmil IIH and N, 1 AWG EGC, GEC not required. 90°C conductor minimum	Cu: (2) 2/0 AWG IIH and N, 4 AWG EGC, GEC not required. Al: (2) 3/0 AWG IIH and N, 2 AWG EGC, GEC not required. 75°C conductor minimum
PH = phase, N = neutral (2) = two conductors per phase and neutral (when neutral is required) Subfeed is required to have two conductors per phase & N for full output due to limited wire bend space Cu= Copper conductors, Al= Aluminum conductors CCC = Current Carrying Conductor			

Radio Frequency Interference

NOTE: Changes or modifications to this unit not expressly approved by the party responsible for compliance could void the user's authority to operate this equipment.

USA—FCC

This equipment has been tested and found to comply with the limits for a Class A digital device, pursuant to part 15 of the FCC Rules. These limits are designed to provide reasonable protection against harmful interference when the equipment is operated in a commercial environment. This equipment generates, uses, and can radiate radio frequency energy and, if not installed and used in accordance with this user manual, may cause harmful interference to radio communications. Operation of this equipment in a residential area is likely to cause harmful interference. The user will bear sole responsibility for correcting such interference.

Canada—ICES

This Class A digital apparatus complies with Canadian ICES-003.

Cet appareil numérique de la classe A est conforme à la norme NMB-003 du Canada.

Worldwide Customer Support

Customer support is available at www.schneider-electric.com.

© 2016 Schneider Electric. All rights reserved.