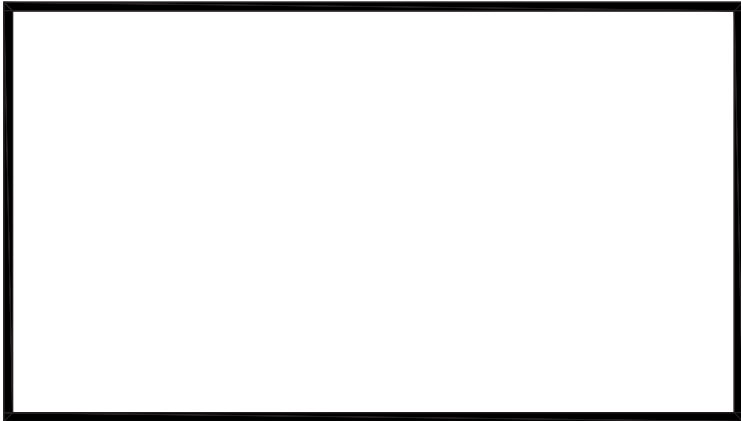




Elara NanoEdge
Fixed Frame Screen

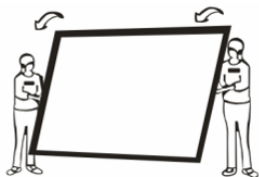


User Guide



WARNING

This product may contain sharp edges, please handle with care. Protective gloves are recommended.



A minimum of two people are needed to assemble and install the screen.



Assembling this product requires a flat ground which is free of obstacles and sharp objects. We highly recommend you supply your own floor cloth

in addition to ours to protect the screen during assembly and installation.

Thank you for choosing EluneVision for your new projection screen. We hope you enjoy your foray into a fantastic screen for many years to come. We take pride in ease of setup with our screens and should you have any questions or comments regarding your setup, please don't hesitate to call one of our technical reps for answers. We will be more than happy to answer any questions or concerns you may have and we always welcome customer feedback to make product improvements.



For general inquiries, please contact us at:

sales@elunevision.com

Phone Number: 1-877-451-5682

Fax Number: 905-538-7968

Disclaimer: We (EluneVision) are not responsible for any direct or indirect damage to property or life related to our product.

Table of Contents

Introduction	
Features	2
Getting Started	
Parts Included	3
General Dimensions	4
Projection Setup	4
Assembly	
Before You Start	5
Aluminum Frame	6
Screen Fabric	11
Velvet Cover	18
Installation	
Hanging Brackets	21
Hanging Your Screen	22
Maintenance Guide	
General Notes	23
Cleaning Guide	24
Troubleshooting	25

Features

The EluneVision Elara NanoEdge features include:

- Modern** thin frame design with black velvet border.
- Spring mount design** which ensures an even distribution of tension across fabric to avoid wrinkles on the screen surface.
- High strength aluminum frames** for long term durability.

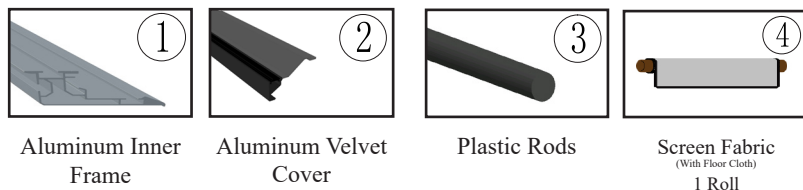
The 1.2 gain Cinema White material is designed to produce a precise image reproduction without loss of resolution. It provides an incredibly large viewing angle of 160 degrees which is perfect for use with today's high contrast projectors.

GETTING STARTED

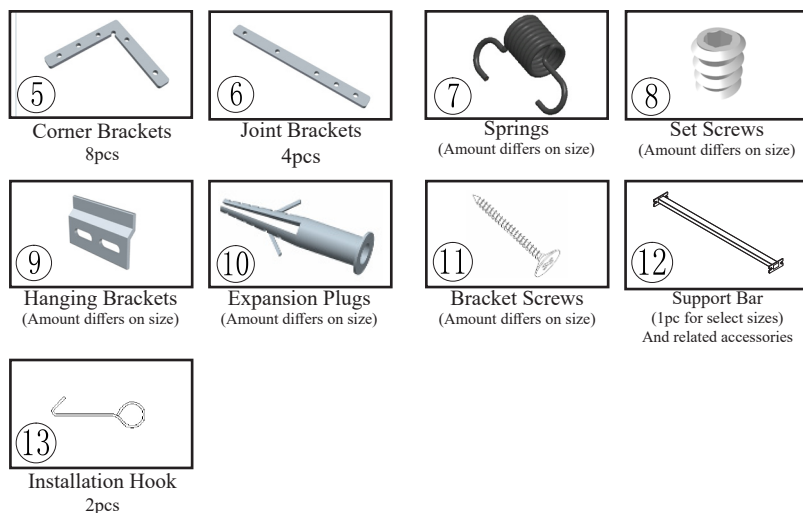
This guide will provide directions on how to correctly and safely assemble and install your screen. Please follow the steps as instructed. If difficulty arises, please see the Troubleshooting section.

Parts Included

Check the parts and accessories inside the packaging to make sure nothing is missing.



The following items will be included in the Accessories Box:



The Elara NanoEdge screen comes with an RF remote. The IR control kit is optional and available for purchase.

An LED lighting kit for the Elara NanoEdge is optional and available for purchase.

GETTING STARTED

General Dimensions

Please make sure you have sufficient space for your screen on the wall or preferred location. Refer to the table below for screen sizes:

Screen Size	Aspect Ratio	Assembled Height	Assembled Width	Assembled Depth
92"	16:9	81"	46"	2"
106"	16:9	93"	53"	2"
120"	16:9	106"	60"	2"
135"	16:9	119"	67"	2"

Projection Setup

There are two projection methods available: front projection and rear projection. The Elara NanoEdge fixed frame screen is designed for front projection; please make sure you are using the correct projection method.

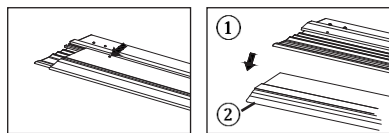


The distance required between the projection screen and the projector depends on the lens in the projector. Please refer to your projector's manual for more details.

Before You Start

You are now ready to assemble your screen. You will be assembling 3 major parts of the screen: the Aluminum Frame, Screen Fabric, and Velvet Cover. Please carefully go through the following steps one by one.

ASSEMBLY



The Aluminum Frame and Velvet Cover are pre-assembled for transportation. Separate the outer frame from the inner frame.

You will be assembling the screen on flat ground. You will need a clearance area of at least two feet away from the screen (refer to General Dimensions). Make sure no objects are underneath the screen, as they may cause permanent damage to the fabric.



Before you start handling parts, make sure the work area is safe and remains safe during assembly and installation. Please note and be aware of the following:



Parts may contains sharp edges.

You need to avoid touching the indicated spots. Do not swing the aluminum frames; be aware of the edges when you handle the frames. Protective gloves are recommended.



Beware of pinching point.

You need to be cautious joining pieces together when this icon is present. Keep body parts away from the indicated spots. Protective gloves are recommended.



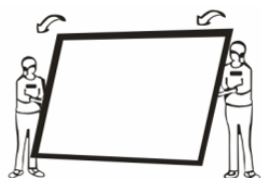
Tools required.

You need to provide your own tools for this task to be completed. Incorrect tools may cause damage to the hardware.



Special attention needed.

Please refer to the description whenever this icon present. Detailed instructions are in the description which are not present in the diagram.

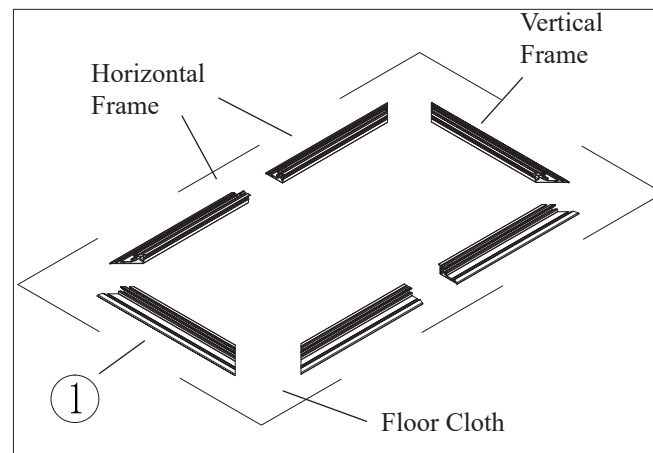


Assembling the screen requires two people, we recommend you and your partner work together to assemble the screen. Seek assistance when handling heavy objects or hanging the screen.

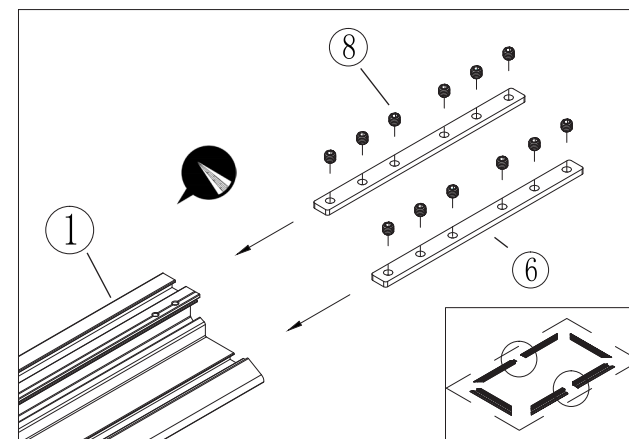
ASSEMBLY

Aluminum Frame

- 1a) Lay out the Inner Frame pieces across a flat surface. We recommend you use a floor cloth to protect the assembly process. The ends of the frame pieces will have marked numbers; lay out the frame pieces in numeric order.

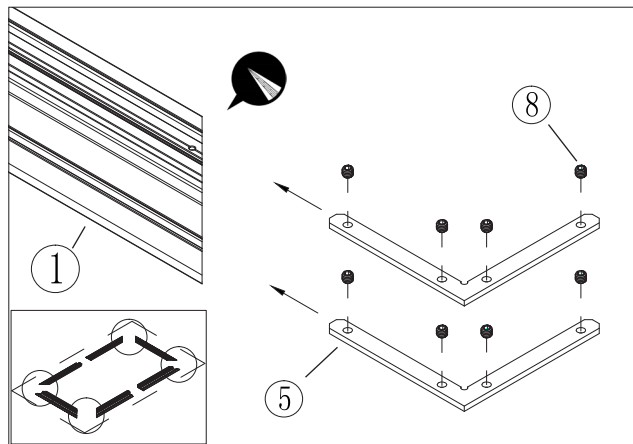


- 1b) Insert two Joint Brackets into the slots of the two horizontal frame pieces. Center the brackets, and then insert the Set Screws. Do not tighten the set screws, as shown below:

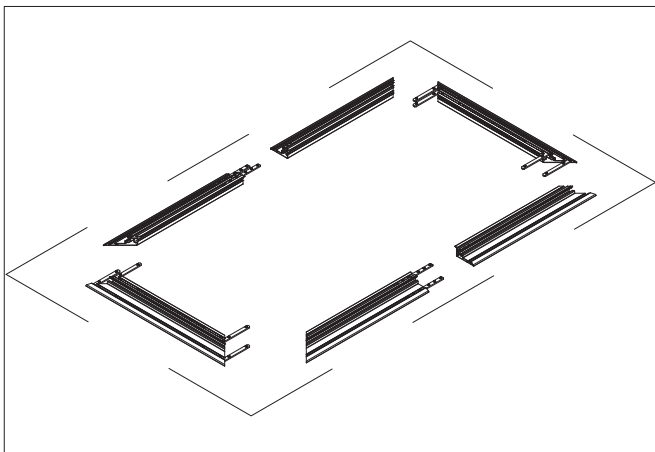


ASSEMBLY

1c) Insert two Corner Brackets into the slots on each side of the vertical frame. Center the brackets and then insert the Set Screws. Do not tighten the set screws, as shown below:

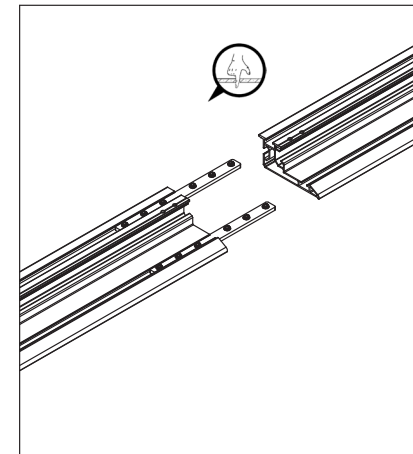


1d) Your screen now should look like the diagram shown below. Join the Inner Frame pieces together with the brackets from previous steps.

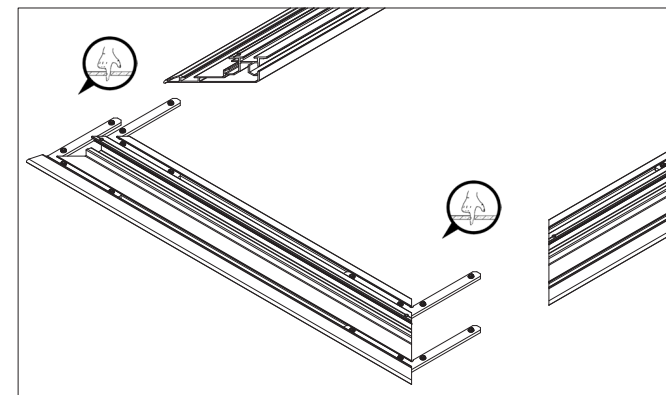


ASSEMBLY

2a) Starting with the horizontal frames, insert the Joint Brackets into the other horizontal frame and join the two horizontal frame pieces together. Push the two frames together, make sure there is no gap, and then tighten the Set Screws.



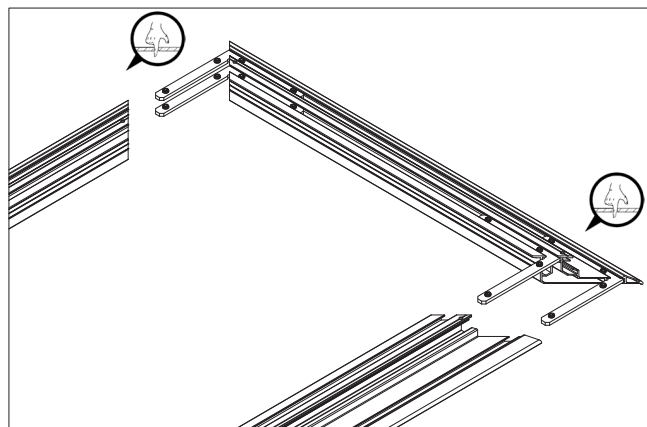
2b) Insert the Corner Brackets into both sides of the vertical frame and the horizontal frame. Align the corner pieces and push the two frame pieces together. Make sure there is no gap bigger than 1mm, then tighten the Set Screws.



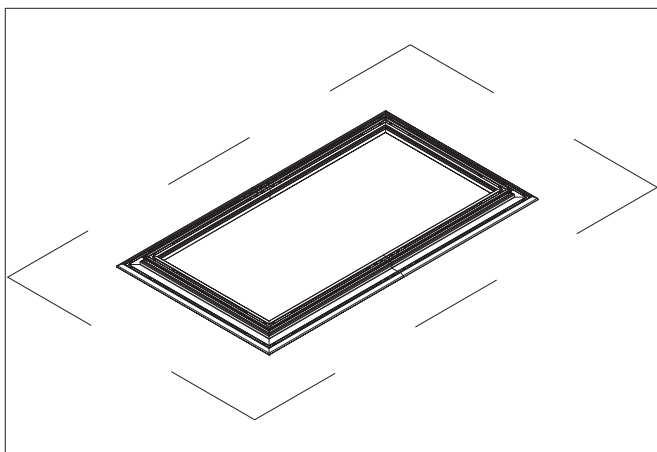
Make sure you align both sides properly and center the bracket inside its slot before tightening the Set Screws on either side.

ASSEMBLY

2c) Repeat step 2b using the other vertical frame.



2d) After you have joined the two horizontal frames and all four corners, your frame will look similar to below. Check and tighten all Set Screws as you will not be able to access them once the Outer Frame is installed.



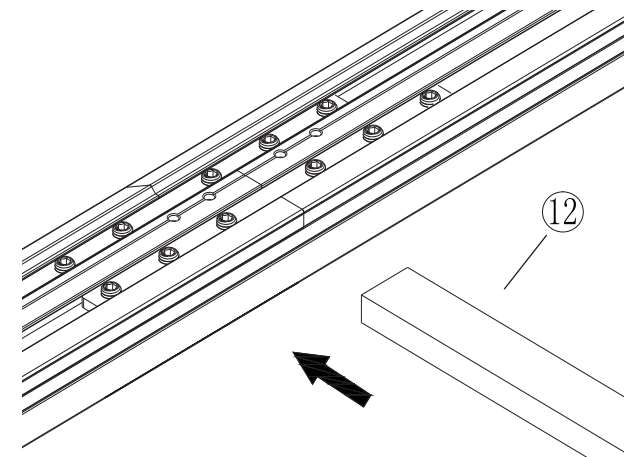
Make sure the corners are 90 degrees and the horizontal frames are straight before proceeding.



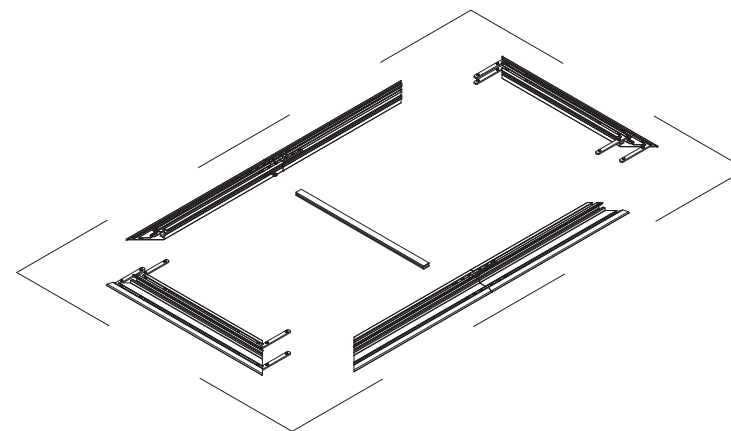
Do not proceed until all the screws are tightened. There should be no gap on the horizontal frames and less than 1mm gap on the four corners.

ASSEMBLY

2e) (Optional) On select large sized screens only, you will be provided with a middle Support Bar. Insert both ends of the support bar into the middle of the horizontal frames until snug.



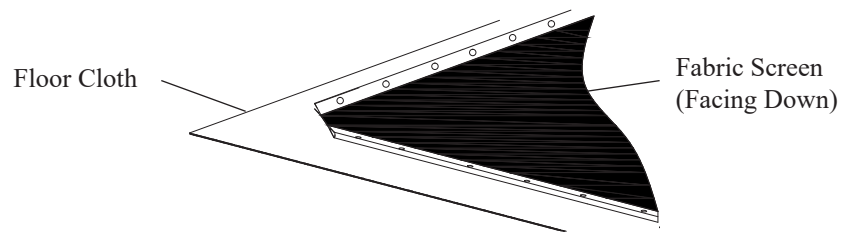
If it is difficult to put the Support Bar into the middle of the frame, try loosening the Set Screws on the four corners, inserting and securing the middle support bar, then start from 2b.



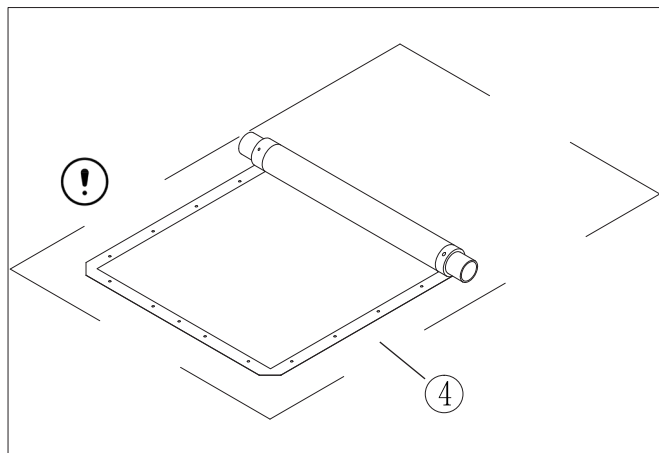
Screen Fabric

3a) Now you will unroll the screen material and mount it onto the frame assembled in the previous steps.

Make sure the ground is clear of any sharp obstacles and make sure there is a floor cloth covering the ground. Do not remove the floor cloth until the assembly is completed. The floor cloth will protect the fabric screen against dirt or other particles from the ground.

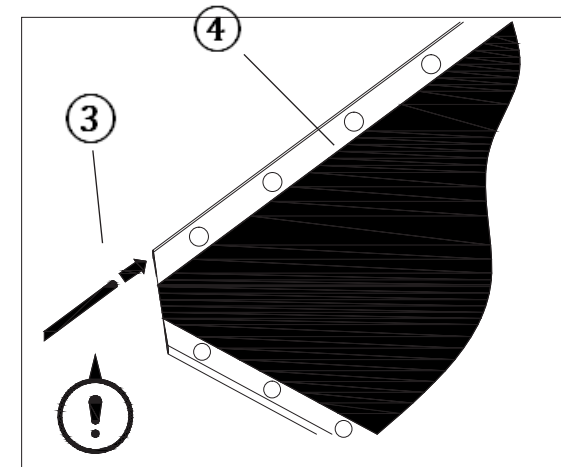


3b) Unroll the fabric screen slowly from the cardboard drum onto the ground. The front of the fabric should be facing the ground, and the back facing upwards. There will be a label indicating the back of the fabric.



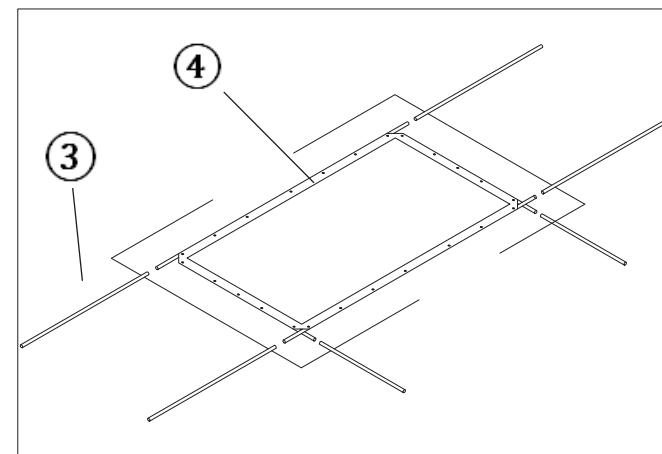
! Wear protective gloves to prevent scratches or other damage to fabric. Make sure the ground is free of sharp objects and do not put any tools or other objects onto the fabric.

4a) Gather the plastic rods and sort according to length. The plastic rods will be inserted into the sleeves on the outermost part of the fabric.



! The rods have red rubber caps on each end to protect them from damaging the fabric; do not take those caps off.

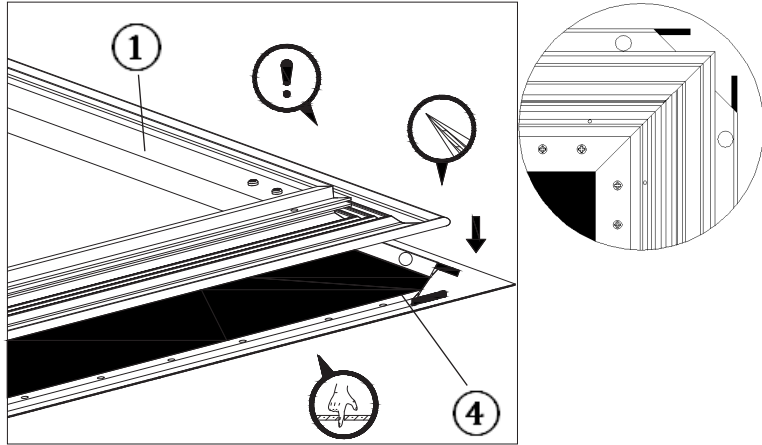
4b) Insert the plastic rods into the four sides of the fabric. Make sure you are using the correctly sized rod for the correct position as the rods should be covering the whole sleeve of the fabric.



! The four plastic rods of the same length make up the two horizontal sides and the two rods of the same length make up the vertical side of the fabric.

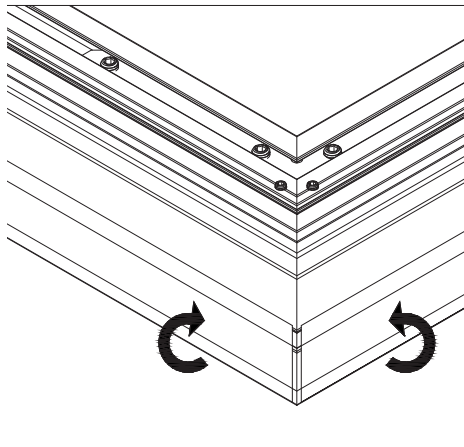
ASSEMBLY

5a) Carefully place the assembled aluminum frame onto the fabric with the frame's large flat surface against the back (labeled) of the screen as shown below. Make sure the aluminum frame is centered properly by aligning the corners of the frame to the corners of the fabric.



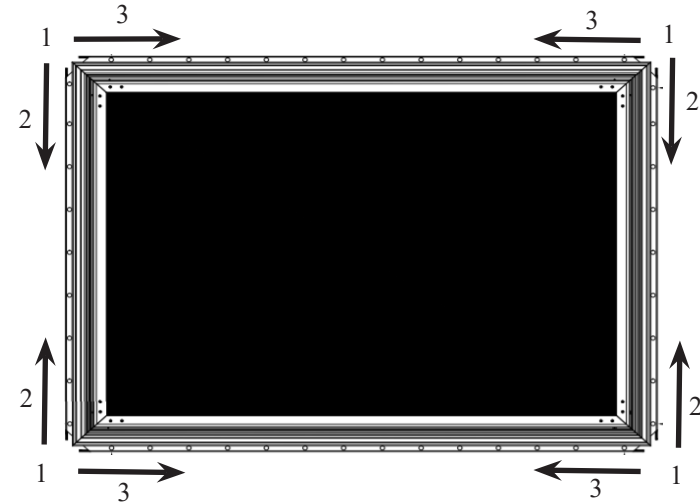
! Do not stand the frame on its corner as the sharp edge will damage the screen fabric.

5b) Flip over the sides of the fabric with plastic rods onto the edges of the aluminum frame, as illustrated below:

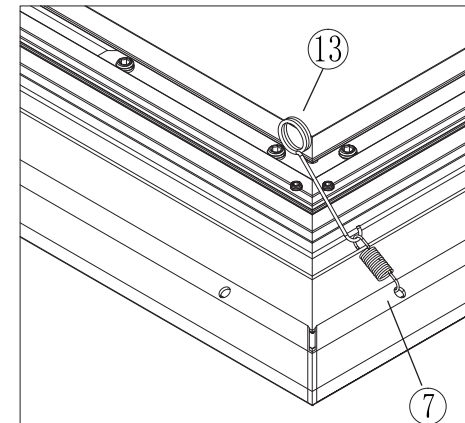


ASSEMBLY

5c) The fabric and the frame will be joined with springs. First the corners will be secured, then the sides will be secured starting from the corners and moving towards the middle. The shorter sides should be secured first for optimal tension. The priority that the springs should be secured is below.

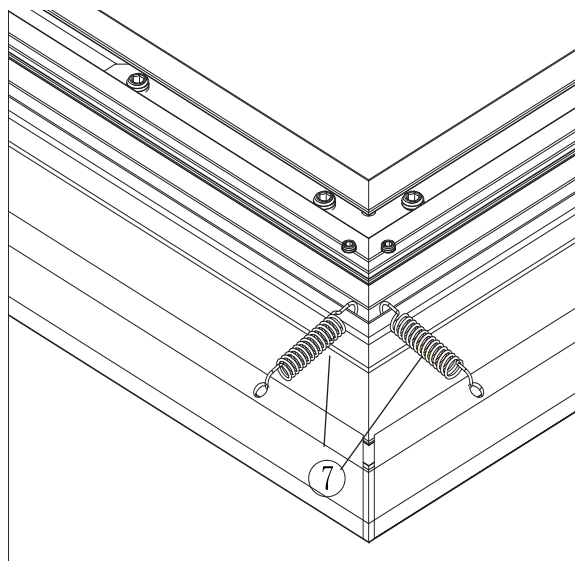


5d) Pick a corner to start working at. Mount 4 springs in the 4 holes that are closest to the corner starting with the vertical side (2). Repeat with all 4 corners.



ASSEMBLY

5e) Use the installation hook provided to mount the springs. Latch the shorter hook onto the lip of the frame. Carefully pull the larger hook through the hole in the screen and around the plastic rod. Make sure that the spring is only around the rod and not caught on any fabric before you release it.

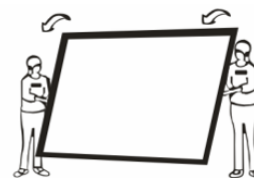


! You want to execute step e) with extra caution. When you let go of the spring, you need to make sure the spring is only lying on the plastic rod, otherwise the spring will tear through the fabric.

5f) Repeat step e) until you have mounted every hole in the fabric with a spring, in order as shown in c).

! Follow the sequence indicated above in c) to minimize the unnecessary stress to the screen fabric.

ASSEMBLY



After completing step f), you can now stand the screen up on its side as shown on the left. Make sure the ground is free of obstacles and rough objects before you do so. We recommend to stand the screen on a soft cushion in addition to the floor cloth we provided to prevent damage to the screen as well as the flooring.

! Do not slide or drag the screen across the floor.

5g) Have one person hold the screen upright by the aluminum frame on the back and not by the fabric. Carefully inspect the front of the screen fabric. The fabric must wrap around the Aluminum Frame so that the sleeve of the fabric will not be shown over the 1/2" outer frame.

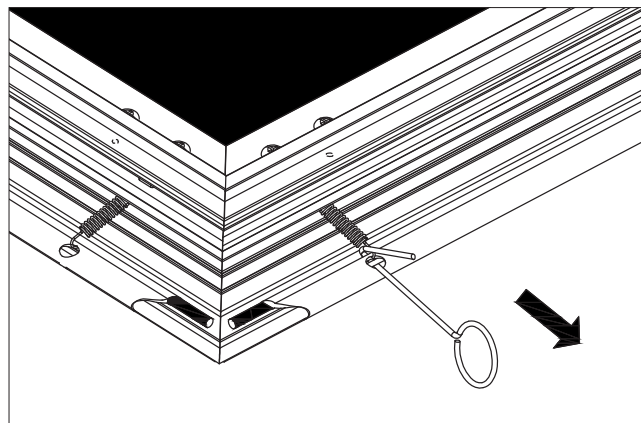
! To eliminate the wrinkles on the screen, more material needs to be wrapped around the frame for the springs to hold onto. This will tighten the screen fabric and get rid of the wrinkles in the process. This process has to be done manually and the procedure is outlined as follows.



! The below steps requires the use of tools or your hands to pull directly on the fabric, exercise with caution. Do not pull on the fabric using other methods or tools not described below.

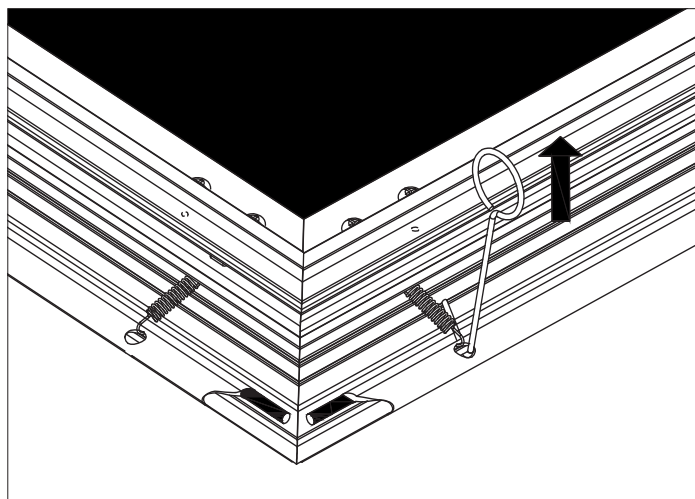
Locate the wrinkles on the screen and the springs that are near them. Start from the spring closest to the wrinkle and insert the Installation Hook directly into the fabric sleeve. Make sure the installation hook is over the fiber plastic rod and not the springs or the fabric alone. Pull the spring upwards and away from the frame.

ASSEMBLY



Pull the Installation Hook towards back of the frame. This will stretch and wrap the screen fabric around the frame.

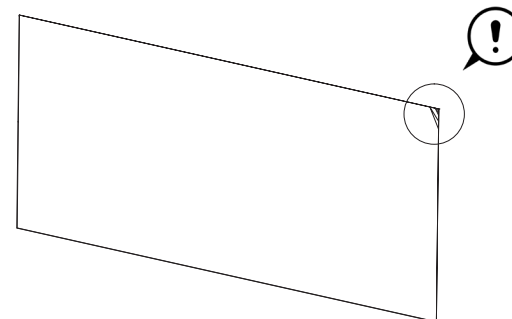
Repeat the above steps for other springs near the wrinkles. Repeat as necessary until there are no more wrinkles in the screen fabric. If necessary, you may also use your hands for this operation described above. Please wear protective gloves and only pull on the sleeve of the fabric.



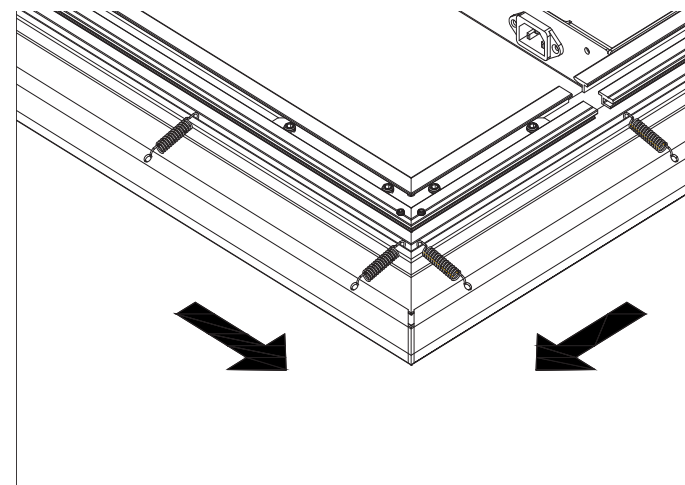
! If your screen still has wrinkles or more tension is required, repeat the above method and pull on the fabric harder until you have reached the desired effect.

ASSEMBLY

5h) Check your corners before proceeding. If there are any wrinkles on the corners, you need to tension the fabric more so that the corners will be flat.

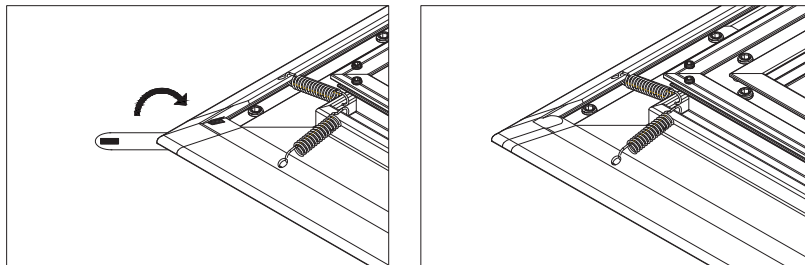


Repeat step 5g). Remove the springs around the corners and move the material towards the corner as shown below. Remount the springs and pull on the fabric manually as described above to get rid of wrinkles in the corner of the fabric. Pull on the fabric and wrap the fabric around the corner until the corner is flat and free of wrinkles.



ASSEMBLY

5i) At each of the corners of the screen material there will be a flap of material with velcro attached facing upwards. Cut off the excess velcro so that 1/4" of the velcro is left between the frame and the material at the corner as indicated by the arrow below on the left. Flip the flap of material over and stick the velcro towards the frame as shown below on the right.

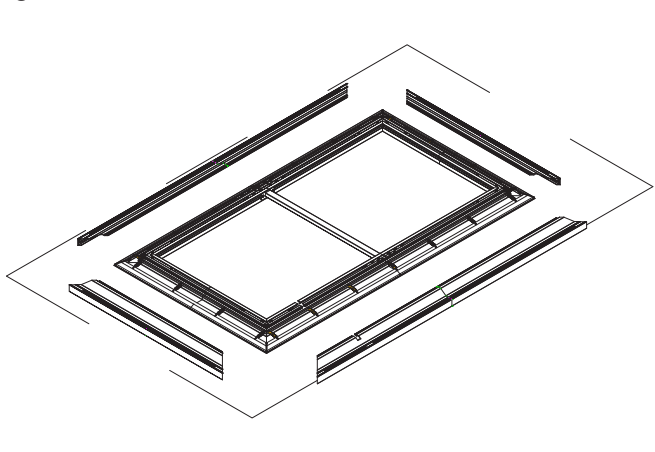


Repeat the above step for all four corners and check if all four corners are free of wrinkles. If the wrinkles still exist, repeat the above steps by pulling on the corner of the fabric a little more.

! Do not proceed until the screen fabric is in acceptable condition as described above.

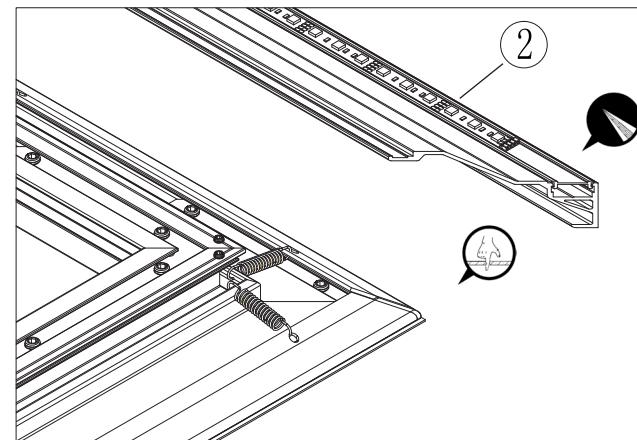
Velvet Cover

6a) Once the screen fabric is in an acceptable condition, the aluminum velvet covers can be assembled. Lay the Velvet Covers around your screen matching their numbers with the aluminum frame numbers.



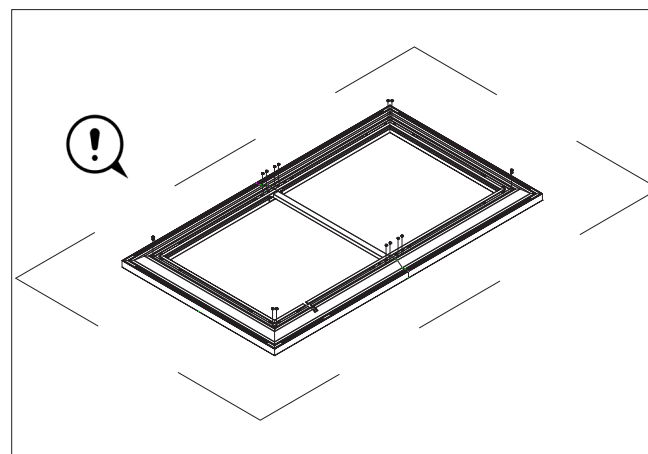
ASSEMBLY

6b) Slide the long Velvet Cover onto the border of the frame with the same length. Lift the corresponding border a tiny bit (1/4") off the ground and slide the Velvet Cover onto the border with its long side facing up as shown below.



! Make sure the Aluminum Velvet Cover you are trying to put on has the same number as the Inner Frame.

6c) After all the Velvet Covers have been mounted, tighten the Set Screws on the ends of each Velvet Covers, as shown below. The Set Screws should be already on the Velvet Covers. Make sure there are no gaps in between the Velvet Cover pieces before tightening the Set Screws.

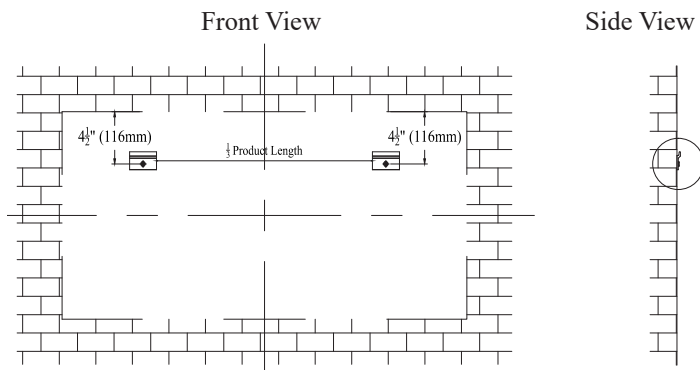


INSTALLATION

You are now ready to mount your screen. Please make sure your screen is fully assembled before proceeding.

Hanging Brackets

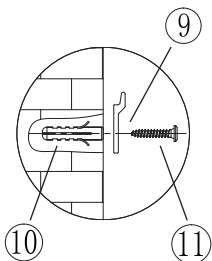
7. To mount the screen to the wall, the location of the 4 edges need to be determined. For screen specs, please refer to General Dimensions (page 4).



Draw a center line for your screen in the desired location. Mount the Hanging Bracket centered to your screen and 4 1/2" (116 mm) from the top of the screen.



Please make sure the wall you are mounting your screen to is able to support the weight of the screen. We recommend using your own hardware for the installation. If using the hardware supplied, (Wall Screws and Expansion Plug) ensure that it is compatible with the wall.

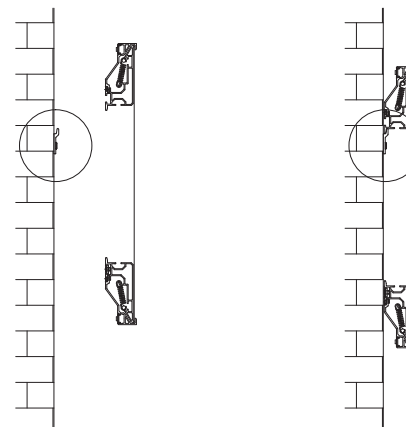


The Hanging Bracket is designed to bear the weight of the entire screen. Make sure the bracket is sturdy before mounting the screen.

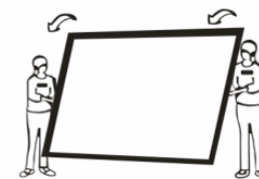
INSTALLATION

Hanging Your Screen

8. The screen is now ready to be mounted onto the wall. The upper frame of the screen needs to be lowered onto the Hanging Bracket, as shown below.



The screen needs to be stood up vertically on the floor. Two people are necessary to carry and lift the screen up onto the brackets.



Please make sure the screen's top frame is properly anchored in the Mounting Bracket before letting go of the screen.

Now you are ready to enjoy the superb performance of Elara NanoEdge.



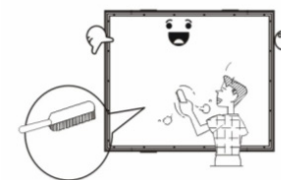
General Notes

Please handle the screen with care to keep it in good condition for many years to come.

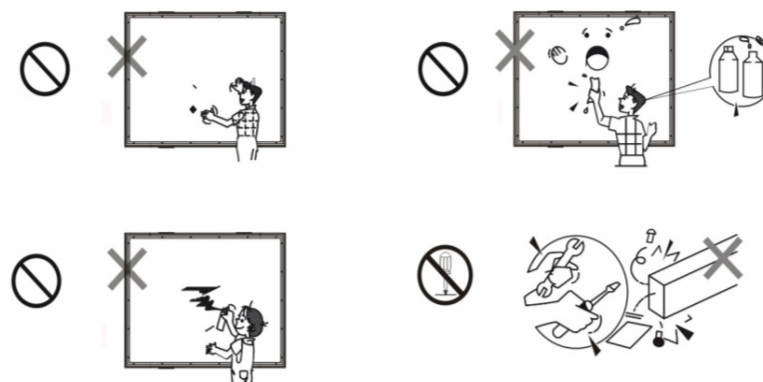
1. Do not touch the fabric surface by hand or with hard objects. Doing so may cause scratches on the projection material.
2. Do not fold the screen fabric. This will cause there to be creases in the material.
3. Do not scratch or write on the screen.
4. Do not put sharp objects on or underneath the screen during assembly or maintenance. This can damage the screen material.
5. Do not attempt to assemble or disassemble using methods not mentioned in this guide.
6. Do not clean the screen fabric with corrosive or abrasive detergent.
7. When mounting and dismounting the screen, 2 people are needed. Do not stand underneath the screen when it is being mounted or hanging.
8. Keep any spare parts and this instruction manual where they can accessed if needed. Keep out of reach of small children.
9. Make sure the mounting hardware is strong enough to support the weight of the screen and is suitable for the wall it is being installed on.
10. When working with the LED strips, ensure they are not plugged in to avoid electric shock.

Cleaning Guide

For cleaning dirt and dust off the fabric, we recommend using a soft damp cloth. For tougher stains, use a soft brush and water to clean the screen. Be very careful when cleaning the screen material so it does not become damaged and worsen the viewing image.



Do not use any corrosive or abrasive materials to clean the screen as this can damage the screen. Proper screen care and maintenance will keep your projection image looking exactly as intended.



1. *I am missing parts from my packaging.*

Solution: The Fiber Plastic Rods may be stored inside the roll of Screen Fabric. Check if your missing parts are already pre-installed onto the screen. If you still have parts missing, contact customer support.

2. *My screen fabric is damaged when I open the package.*

Solution: In case of damaged or defective product, please contact your vendor or customer support right away.

3. *It is very difficult to pull the springs.*

Solution: Make sure you are using the correct methods. Seek assistance if needed, careless operation may risk damaging the screen.

4. *I see the sleeve of the fabric shown over the Velvet Cover of the screen after I fully assembled it.*

Solution: The Velvet Covers have to be dismantled and then repeat steps 4-6 (Assembly - Fabric Screen). Make sure the screen fabric is not shifted, and the evenly distribute the fabric across the frame. Inspect the screen fabric before installing the Velvet Covers.

5. *I see wrinkles and lines on the screen projection surface.*

Solution: If you just installed this screen, and you see lines or wrinkles on the screen surface, do not panic! The screen material is a flexible projection material and depending on how the screen material is handled or installed, the screen may have wrinkles. With proper adjustments they will disappear.

Check the tension of the screen material, and smooth out the material evenly along the side of the Plastic Rod holding the screen. Go through step 5g and make sure there is sufficient tension on the screen. If done properly, you should have very few to no wrinkles on the screen. Consider leaving your screen in a warm environment for up to few weeks which will allow the fabric to relax and flatten itself overtime. Install the screen on the wall properly before doing so; do not lean the screen against other objects or leaving it on the ground. If you still have wrinkles over a few weeks or if you have any concerns, consider contact customer support.

6. *The corners of the screen material are wrinkled.*

Solution: This is a common user error when the frame is jammed against the material when installing on the ground. You can easily eliminate the wrinkles by using the flaps at each corners of the screen material. Go back to steps 5h and 5i, take out the outer frame, then tension the corners. You do not need a lot of tension to make the corners flat. *Lift* the screen from the ground and put the outer frame onto the screen. Make sure to give the outer frame enough clearance off the ground until it is in place.

7. *The Velcro at the corners of the fabric is too thick, I could put on and close the screen's outer frame.*

Solution: Go back to step 5i and consider cutting the Velcro shorter. If you still have difficulty putting the frame on, consider trimming the flaps of material at the corners thinner.

ELUNEVISION