

Owner's Manual

2-Port HDMI over Cat5 Extender Kit with Power over Cable (PoC)

Model: B126-2P2M-POC

Español 10 • Français 19 • Русский 28

PROTECT YOUR INVESTMENT!

Register your product for quicker service and ultimate peace of mind.
You could also win an ISOBAR6ULTRA surge protector—a \$100 value!

www.tripplite.com/warranty



1111 W. 35th Street, Chicago, IL 60609 USA • www.tripplite.com/support

Copyright © 2017 Tripp Lite. All rights reserved.

Product Features

- Splits and extends an HDMI signal to two HDMI displays
- Extends a 1080i signal up to 100 ft. from the source, or a 1080p (60 Hz) signal up to 50 ft. from the source
- Built-in Power-over-Cable (PoC) technology powers the receiver units over Cat5e/6/6a cable
- Built-in HDMI cable connects directly to the HDMI source
- Ultra low-profile receiver units with built-in HDMI connector directly connects to HDMI displays for discreet placement
- HDCP and 3D compliant
- Supports up to 7.1 channel surround sound (multi-channel or PCM) audio
- Plug-and-play; no software or drivers required

Package Contents

- Transmitter Unit
- Receiver Unit (x2)
- USB-A to USB Micro-B Cable – 1 ft. (x2)
- External Power Supply (Input: 100-240V, 50/60 Hz, 0.5A; Output: 5V, 2A)
- Mounting Hardware
- Owner's Manual

Optional Accessories

- N202-Series Cat6 24 AWG Solid Wire Patch Cables
- P568-Series High-Speed HDMI Cables
- P569-XXX-LOCK* High-Speed HDMI Cables with Ethernet and Locking Connectors

*Available in lengths up to 15 ft. XXX refers to length (e.g. 006 = 6 ft., 015 = 15 ft., etc.)

Mounting Instructions

The B126-2P2M-POC includes mounting hardware that allows the transmitter unit to be mounted in a variety of ways. The following images demonstrate these mounting methods.

Note: Model B126-1A1 is shown for illustrative purposes; installation of the B126-2P2M-POC is the same.

Wall-Mount



19-Inch Rack-Mount



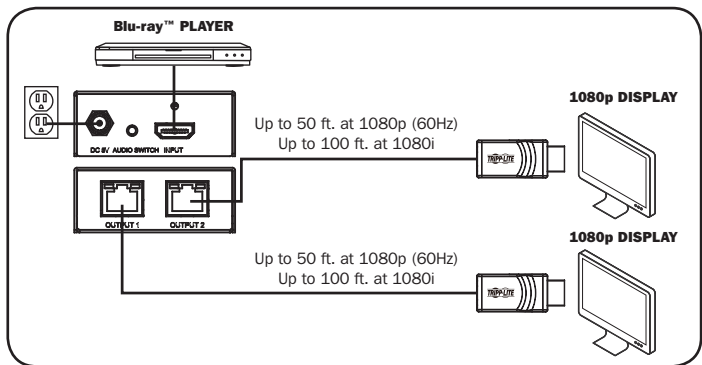
Pole-Mount



Extender Kit Installation

Notes:

1. Test to make sure the entire installation works properly before pulling cables through ceilings/walls.
2. To achieve maximum distance and performance, use 24 AWG solid wire Cat5e/6/6a cable. Using stranded wire Cat5e/6 cable, or cable with a gauge (AWG) size higher than 24 AWG, will result in shorter extension distance. Higher gauge cabling, such as 26 AWG, has a more limited transmission capability than lower gauge cabling. All Tripp Lite N202-Series Cat6 cables are made of 24 AWG solid wire cabling.



1. Make sure the HDMI source is powered OFF.
2. Using a Tripp Lite P568-Series HDMI cable, connect the HDMI source to the transmitter unit's INPUT port.
3. Connect the external power supply to the transmitter unit and plug it into a Tripp Lite Surge Protector, Power Distribution Unit or Uninterruptible Power Supply. The green RJ45 LEDs will illuminate to indicate power is being received from the external power supply.

Extender Kit Installation

4. Using a Cat5e/6/6a cable, connect the OUTPUT 1 port on the transmitter unit to the RJ45 port on a receiver unit. The green RJ45 LED on the receiver unit will illuminate to indicate the unit is receiving power. The orange RJ45 LED will also illuminate to indicate the unit is connected to a powered-on transmitter.
5. Repeat step 4 to connect the transmitter unit's OUTPUT 2 port to the additional receiver unit.
6. Connect the receiver unit's HDMI connector to the monitor's HDMI port.
7. Repeat step 6 to connect the additional remote unit to an additional HDMI monitor.
8. Turn on the power to the HDMI source. The orange RJ45 LEDs on the transmitter unit will illuminate to indicate a signal is being received from the source. The source image should now display on the connected monitors.

Note: The transmitter unit's external power supply provides sufficient power for most displays. However, in the event additional power is needed, a USB Micro-B port is provided on the Receiver units. If no image displays after following the installation instructions, use the included USB Micro-B cables to connect the receivers to the monitor's USB port or a USB wall charger.

Troubleshooting

If you are unable to get an acceptable image after following the installation instructions, try these troubleshooting tips.

- 1. Is the unit's external power supply connected and plugged into a working power source?** For the product to function properly, it must be connected to and receiving power from the external power supply.
- 2. No image displays after following the installation instructions.** The transmitter unit's external power supply provides sufficient power for most displays. However, in the event additional power is needed, a USB Micro-B port is provided on the Receiver units. If no image displays after following the installation instructions, use the included USB Micro-B cables to connect the receivers to the monitor's USB port or a USB wall charger.
- 3. Was the power to the HDMI source turned off prior to installation?** If not, restart it.
- 4. What resolution are you trying to attain?** See the **Product Features** and **Extender Kit Installation** sections in this manual for details on maximum distance and resolution. The shorter the extension distance, the higher the resolution you will be able to obtain. If you are not able to receive an acceptable image, try lowering the computer's video resolution or adjusting the refresh rate.
- 5. What type of cabling are you using?** Inferior cabling can result in poor performance. It is important the cables used can support the video resolution you are trying to attain. To achieve maximum distance and resolution, 24 AWG solid wire UTP cable (such as Tripp Lite's N202-Series cables) must be used.
- 6. Test your cables to ensure they are working properly.** For example, connect your Cat5e/6/6a cable between a computer and a network to verify it establishes a network connection.

Troubleshooting

- 7. Are any patch panels or other devices installed between the transmitter and receiver units?** Tripp Lite's HDMI over Cat5 Extender Kit was designed to be connected directly from the transmitter to the receivers via UTP cable. The more connection points between the source and the remote monitors, the more likely signal degradation will occur, causing poor performance. If a patch panel or other device is between the transmitter and receiver units, it should be removed from the installation.
- 8. Is a splitter, switch or other device installed between the video source and transmitter, or between the receivers and displays?** Tripp Lite's HDMI over Cat5 Extender Kit was designed for the transmitter to connect directly with the video source and for the receivers to connect directly to the displays. If a splitter, switch, or other device is between the video source and transmitter or between the receivers and the displays, it should be removed from the installation.
- 9. Check your cabling for any damage that may have occurred during installation.** If a cable connector is loosened from pulling through ceilings/walls or if the cable jacket is damaged, causing the wiring to be exposed, you will not be able to achieve maximum performance.
- 10. Are the transmitter and/or receiver units located in an area that exposes them to elevated temperatures?** If the product is overheating, it will not function properly.

Warranty & Product Registration

1-Year Limited Warranty

TRIPP LITE warrants its products to be free from defects in materials and workmanship for a period of one (1) year from the date of initial purchase. TRIPP LITE's obligation under this warranty is limited to repairing or replacing (at its sole option) any such defective products. To obtain service under this warranty, you must obtain a Returned Material Authorization (RMA) number from TRIPP LITE or an authorized TRIPP LITE service center. Products must be returned to TRIPP LITE or an authorized TRIPP LITE service center with transportation charges prepaid and must be accompanied by a brief description of the problem encountered and proof of date and place of purchase. This warranty does not apply to equipment, which has been damaged by accident, negligence or misapplication or has been altered or modified in any way.

EXCEPT AS PROVIDED HEREIN, TRIPP LITE MAKES NO WARRANTIES, EXPRESS OR IMPLIED, INCLUDING WARRANTIES OF MERCHANTABILITY AND FITNESS FOR A PARTICULAR PURPOSE. Some states do not permit limitation or exclusion of implied warranties; therefore, the aforesaid limitation(s) or exclusion(s) may not apply to the purchaser.

EXCEPT AS PROVIDED ABOVE, IN NO EVENT WILL TRIPP LITE BE LIABLE FOR DIRECT, INDIRECT, SPECIAL, INCIDENTAL OR CONSEQUENTIAL DAMAGES ARISING OUT OF THE USE OF THIS PRODUCT, EVEN IF ADVISED OF THE POSSIBILITY OF SUCH DAMAGE. Specifically, TRIPP LITE is not liable for any costs, such as lost profits or revenue, loss of equipment, loss of use of equipment, loss of software, loss of data, costs of substitutes, claims by third parties, or otherwise.

Product Registration

Visit www.tripplite.com/warranty today to register your new Tripp Lite product. You'll be automatically entered into a drawing for a chance to win a FREE Tripp Lite product!*

* No purchase necessary. Void where prohibited. Some restrictions apply. See website for details.

FCC Notice, Class B

This device complies with part 15 of the FCC Rules. Operation is subject to the following two conditions: (1) This device may not cause harmful interference, and (2) this device must accept any interference received, including interference that may cause undesired operation.

Note: This equipment has been tested and found to comply with the limits for a Class B digital device, pursuant to part 15 of the FCC Rules. These limits are designed to provide reasonable protection against harmful interference in a residential installation. This equipment generates, uses and can radiate radio frequency energy and, if not installed and used in accordance with the instructions, may cause harmful interference to radio communications. However, there is no guarantee that interference will not occur in a particular installation. If this equipment does cause harmful interference to radio or television reception, which can be determined by turning the equipment off and on, the user is encouraged to try to correct the interference by one or more of the following measures:

- Reorient or relocate the receiving antenna.
- Increase the separation between the equipment and receiver.
- Connect the equipment into an outlet on a circuit different from that to which the receiver is connected.
- Consult the dealer or an experienced radio/TV technician for help.

Any changes or modifications to this equipment not expressly approved by Tripp Lite could void the user's authority to operate this equipment.

Warranty & Product Registration

WEEE Compliance Information for Tripp Lite Customers and Recyclers (European Union)



Under the Waste Electrical and Electronic Equipment (WEEE) Directive and implementing regulations, when customers buy new electrical and electronic equipment from Tripp Lite they are entitled to:

- Send old equipment for recycling on a one-for-one, like-for-like basis (this varies depending on the country)
- Send the new equipment back for recycling when this ultimately becomes waste

Use of this equipment in life support applications where failure of this equipment can reasonably be expected to cause the failure of the life support equipment or to significantly affect its safety or effectiveness is not recommended.

Tripp Lite has a policy of continuous improvement. Specifications are subject to change without notice.



1111 W. 35th Street, Chicago, IL 60609 USA • www.triplite.com/support

Manual del Propietario

Juego Extensor de 2 Puertos HDMI sobre Cat5 con Energía por Cable (PoC)

Modelo: B126-2P2M-POC

English 1 • Français 19 • Русский 28



Excelencia en
Manufactura.

1111 W. 35th Street, Chicago, IL 60609 EE. UU. • www.tripplite.com/support

Copyright © 2017 Tripp Lite. Todos los derechos reservados.

Características del Producto

- Divide y extiende una señal HDMI a dos pantallas HDMI
- Extiende una señal 1080i hasta a 30.5 m [100 pies] de la fuente o una señal 1080p hasta a 15.24 m [50 pies] de la fuente
- La tecnología de Energía por Cable (PoC) alimenta a la unidad receptora sobre cable Cat5e / 6 / 6a
- Un cable HDMI incorporado se conecta directamente a una fuente HDMI
- Las unidades receptoras de perfil ultra bajo con conector HDMI incorporado se conectan directamente a las pantallas HDMI para una colocación discreta
- Compatible con HDCP y 3D
- Soporta audio y sonido envolvente de hasta 7.1 canales (Multi-canal o PCM)
- Conectar y Usar—No requiere software ni controladores

Contenido del Empaque

- Unidad Transmisora
- Unidad Receptora (x2)
- Cable USB-A a USB Micro-B – 30.5 cm [1 pie] (x2)
- Fuente de Alimentación Externa (entrada: 100V - 240V, 50/60 Hz, 0.5A; Salida: 5V, 2A)
- Accesorios de instalación
- Manual del Propietario

Accesorios Opcionales

- Cables Patch Cat6 de Alambre Sólido 24 AWG Serie N202
- Cables HDMI de Alta Velocidad Serie P568
- Cables HDMI de Alta Velocidad con Ethernet y Conectores de Seguridad P569-XXX-LOCK*

*Disponible en longitudes de hasta 4.57 m [15 pies] XXX se refiere a la longitud (p.e. 006 = 6 pies, 015 = 15 pies, etc.)

Instrucciones de Instalación

El B126-2P2M-POC incluye accesorios de instalación que permiten que la unidad transmisora se instale en una gran variedad de maneras. Las siguientes imágenes demuestran estos métodos de instalación.

Nota: Se muestra el modelo B126-1A1 con fines ilustrativos; la instalación del B126-2P2M-POC es igual.

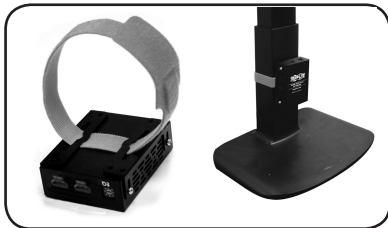
Instalación en la Pared



Instalación en Rack de 19 Pulgadas



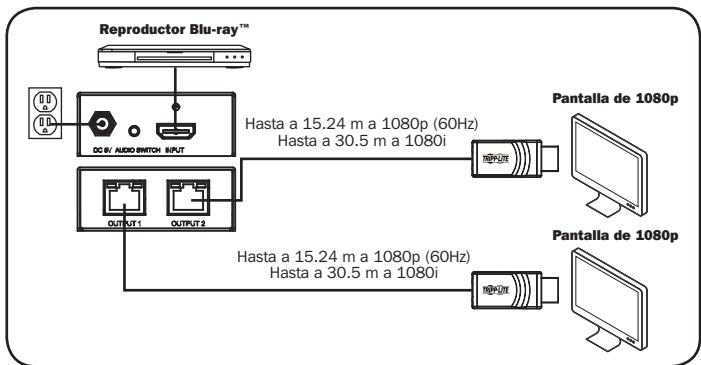
Instalación en Poste



Instalación de Juego Extensor

Notas:

1. Pruebe para asegurarse de que toda la instalación trabaje correctamente antes de jalar los cables a través de techos y paredes.
2. Para conseguir la distancia y rendimiento máximos, use un cable Cat5e / 6 / 6a de alambre sólido 24 AWG. Utilizar cable Cat5e / 6 de alambre trenzado o cable con un calibre (AWG) mayor que 24 AWG, dará lugar a una distancia de extensión más corta. Un cableado de mayor calibre, como 26 AWG, tiene capacidad de transmisión más limitada que el cableado de menor calibre. Todos los cables Cat6 serie N202 de Tripp Lite están hechos de cableado de alambre sólido de 24 AWG.



1. Asegúrese de que la fuente de HDMI esté apagada.
2. Conecte el puerto de entrada de la unidad transmisora a una fuente de HDMI usando un cable HDMI de la serie P568 de Tripp Lite (no incluido).
3. Conecte la fuente de alimentación externa a la unidad transmisora y enchúfela en un Supresor de Sobretensiones, Unidad de Distribución de Energía, o Sistema de Respaldo Ininterrumpible de Tripp Lite. Los LEDs verdes del RJ45 se iluminarán para indicar que se está recibiendo energía de la fuente de alimentación externa.

Instalación de Juego Extensor

4. Mediante un cable Cat5e / 6 / 6a, conecte el puerto de SALIDA 1 de la unidad transmisora al puerto RJ45 de una unidad receptora. El LED verde de RJ45 en la unidad receptora se iluminará para indicar que la unidad está recibiendo alimentación. El LED color naranja de RJ45 también se encenderá para indicar que la unidad está conectada a un transmisor encendido.
5. Repita el paso 4 para conectar el puerto de SALIDA 2 del transmisor a la unidad receptora adicional.
6. Conecte el conector HDMI de la unidad receptora al puerto HDMI del monitor.
7. Repita el paso 6 para conectar una unidad remota adicional a un monitor HDMI adicional.
8. Encienda la fuente de HDMI. Los LEDs RJ45 color naranja en la unidad transmisora se iluminarán para indicar que está recibiendo una señal desde la fuente. Ahora debe mostrar la imagen de la fuente en los monitores conectados.

Nota: La fuente de alimentación externa de la unidad transmisora proporciona energía suficiente para la mayoría de las pantallas. Sin embargo, en caso de que se necesite potencia adicional, se proporciona en las unidades receptoras un puerto USB Micro-B. Si no aparece ninguna imagen después de seguir las instrucciones de instalación, utilice los cables USB Micro-B incluidos para conectar los receptores al puerto USB del monitor o un cargador USB de pared.

Solución de Problemas

Si no puede conseguir una imagen aceptable después de seguir las instrucciones de instalación, pruebe estos consejos para resolver problemas.

- 1. ¿Está la fuente de alimentación externa de la unidad conectada y enchufada a una fuente de alimentación que trabaje correctamente?** Para que el producto funcione correctamente, debe estar conectado a y recibiendo energía de la fuente de alimentación externa.
- 2. No se muestra ninguna imagen después de seguir las instrucciones de instalación.** La fuente de alimentación externa de la unidad transmisora proporciona energía suficiente para la mayoría de las pantallas. Sin embargo, en caso de que se necesite potencia adicional, se proporciona en las unidades receptoras un puerto USB Micro-B. Si no aparece ninguna imagen después de seguir las instrucciones de instalación, utilice los cables USB Micro-B incluidos para conectar los receptores al puerto USB del monitor o un cargador USB de pared.
- 3. ¿Se apagó la fuente de HDMI antes de la instalación?** Si no fue así, reiníciela.
- 4. ¿Qué resolución está intentando alcanzar?** Vea las secciones **Características del Producto** e **Instalación del Juego del Extensor** en este manual para consultar los detalles sobre distancia y resolución máxima. Cuanto menor sea la distancia de extensión, cuanto mayor será la resolución usted podrá obtener. Si no puede recibir una imagen aceptable, intente bajar la resolución del equipo de video o ajustar la tasa de actualización.
- 5. ¿Qué tipo de cableado utiliza?** Cableado inferior puede resultar en un rendimiento deficiente. Es importante que los cables utilizados puedan soportar la resolución de vídeo que está intentando alcanzar. Para conseguir la distancia y resolución máximas, debe usarse un cable UTP de alambre sólido 24 AWG, (como los cables Serie N202 de Tripp Lite).

Solución de Problemas

- 6. Pruebe sus cables para asegurarse de que funcionen correctamente.** Por ejemplo, conecte su cable Cat5e / 6 / 6a entre una computadora y una red para verificar si establece una conexión de red.
- 7. ¿Existen paneles de conexiones u otros dispositivos instalados entre las unidades transmisora y la receptora?** El Juego Extensor HDMI sobre Cat5 de Tripp Lite fue diseñado para conectarse directamente del transmisor a los receptores mediante un cable UTP. Mientras más puntos de conexión entre los monitores de origen y los remotos, mayor degradación de la señal ocurrirá, causando bajo rendimiento. Si un panel de conexiones u otro dispositivo se encuentra entre las unidades transmisora y receptora, deben eliminarse de la instalación.
- 8. ¿Está instalado un divisor, switch u otro dispositivo entre la fuente de video y el transmisor o entre los receptores y las pantallas?** El Juego Extensor HDMI sobre Cat5 de Tripp Lite ha sido diseñado para que el transmisor se conecte directamente con la fuente de video y para que los receptores se conecten directamente a las pantallas. Si hay un divisor, switch u otro dispositivo entre el transmisor y la fuente de video o entre los receptores y las pantallas, deberán retirarse de la instalación.
- 9. Compruebe el cableado para detectar cualquier daño que pueda haber ocurrido durante la instalación.** Si un conector del cable se afloja al jalarlo a través de techos y paredes o el forro del cable está dañado, causando que se empongan los cables, no podrá alcanzar el máximo rendimiento.
- 10. ¿Están las unidades de transmisor y receptor situadas en una zona que las exponga a temperaturas elevadas?** Si el producto se está sobrecalentando, no funcionará correctamente.

Garantía

Garantía limitada por 1 año

TRIPP LITE garantiza por un (1) año desde la fecha de compra inicial que este producto no tiene defectos de materiales ni de mano de obra. La obligación TRIPP LITE bajo esta garantía está limitada a la reparación o reemplazo (A su entera discreción) de cualquier producto defectuoso. Para obtener servicio bajo esta garantía, debe obtener un número de Autorización de Devolución de Mercancía (RMA) de TRIPP LITE o de un centro de servicio autorizado de TRIPP LITE. Los productos deben ser regresados a TRIPP LITE o a un centro de servicio autorizado de TRIPP LITE con los cargos de transporte prepagados y deben acompañarse con una breve descripción del problema y un comprobante de la fecha y el lugar de compra. Esta garantía no se aplica a equipos que hayan sido dañados por accidente, negligencia o mal uso, o hayan sido alterados o modificados de alguna manera.

EXCEPTO COMO SE INDICA EN EL PRESENTE, TRIPP LITE NO HACE GARANTÍAS EXPRESAS O IMPLÍCITAS, INCLUIDAS GARANTÍAS DE COMERCIABILIDAD Y ADECUACIÓN PARA UN PROPÓSITO PARTICULAR. Algunos estados no permiten la limitación o exclusión de garantías implícitas; por lo tanto, las limitaciones o exclusiones antes mencionadas pueden no aplicarse al comprador.

EXCEPTO COMO SE INDICA ANTERIORMENTE, EN NINGÚN CASO TRIPP LITE SERÁ RESPONSABLE POR DAÑOS DIRECTOS, INDIRECTOS, ESPECIALES, INCIDENTALES O CONSECUENTES QUE SURJAN DEL USO DE ESTE PRODUCTO, INCLUSO SI SE ADVIERTE SOBRE LA POSIBILIDAD DE TAL DAÑO. Específicamente, TRIPP LITE no es responsable por ningún costo, como pérdida de utilidades o ingresos, pérdida de equipos, pérdida del uso de equipos, pérdida de software, pérdida de datos, costos de sustituciones, reclamaciones de terceros o de cualquier otra forma.

Garantía

Información de sobre Cumplimiento de la WEEE para Clientes de Tripp Lite y Recicladores (Unión Europea)



Según la Directiva de Residuos de Aparatos Eléctricos y Electrónicos (Waste Electrical and Electronic Equipment, WEEE) y sus reglamentos, cuando los clientes compran nuevos equipos eléctricos y electrónicos a Tripp Lite, tienen derecho a:

- Enviar equipos antiguos para reciclaje según una base de uno por uno, entre productos similares (esto varía dependiendo del país)
- Enviar el equipo nuevo de vuelta para reciclaje cuando este se convierta finalmente en desecho

No se recomienda el uso de este equipo en aplicaciones de soporte de vida en donde la falla de este equipo pueda consecuentemente causar la falla del equipo de soporte de vida o afectar significativamente su seguridad o efectividad.

Tripp Lite tiene una política de mejora continua. Las especificaciones están sujetas a cambio sin previo aviso.



Excelencia en
Manufactura.

1111 W. 35th Street, Chicago, IL 60609 EE. UU. • www.tripplite.com/support

Manuel de l'utilisateur

Trousse du prolongateur HDMI à 2 ports par câble Cat5 avec la technologie Power over Cable (PoC)

Modèle : B126-2P2M-POC

English 1 • Español 10 • Русский 28



1111 W. 35th Street, Chicago, IL 60609 USA • www.triplite.com/support

Droits d'auteur © 2017 Tripp Lite. Tous droits réservés.

Caractéristiques du produit

- Divise et prolonge un signal HDMI vers deux écrans HDMI
- Prolonge un signal vidéo 1 080i (60 Hz) jusqu'à 30,48 m (100 pi) de la source ou un signal vidéo 1 080p (60 Hz) jusqu'à 15,24 m (50 pi) de la source
- La technologie Power over Cable (PoC) intégrée alimente le récepteur via un câble Cat5e/6/6a.
- Le câble HDMI intégré se raccorde directement à la source HDMI.
- Le récepteur très peu encombrant avec un connecteur HDMI intégré se raccorde directement à l'écran HDMI pour un placement discret.
- Compatible 3D et HDCP
- Prend en charge les systèmes ambiophoniques de 7,1 canaux (à canaux multiples ou PCM)
- Prêt à l'emploi; aucun logiciel ou lecteur requis

Contenu de l'emballage

- Transmetteur
- Récepteur (x2)
- Câble USB-A à USB Micro-B – 0,30 m (1 pi) (x2)
- Source d'alimentation externe (entrée : 100 à 240 V, 50/60 Hz, 0,5 A; sortie : 5 V, 2 A)
- Quincaillerie de montage
- Manuel de l'utilisateur

Accessoires en option

- Cordons de raccordement à fils rigides 24 AWG Cat6 de série N202
- Câbles HDMI haute vitesse de la série P568
- Câbles HDMI haute vitesse P569-XXX-LOCK* avec Ethernet et connecteurs verrouillables

*Offerts en longueurs allant jusqu'à 4,57 m (15 pi) XXX se réfère à la longueur (p. ex. 006 = 6 pi (1,83 m), 015 = 15 pi (4,57 m), etc.)

Instructions de montage

Le B126-2P2M-POC inclut la quincaillerie de montage qui permet de monter le transmetteur de diverses façons. Les images suivantes illustrent ces méthodes de montage.

Remarque : Le modèle B126-1A1 est montré pour des fins d'illustration uniquement; l'installation de B126-2P2M-POC est la même.

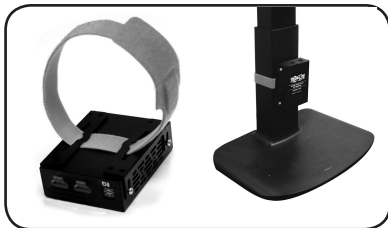
Montage mural



Montage en bâti de 48,26 cm (19 po)



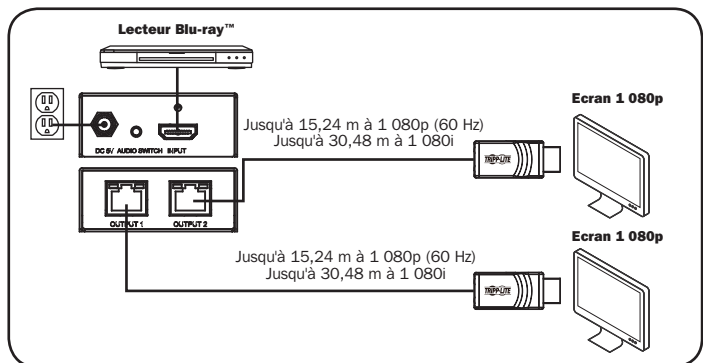
Montage sur poteau



Installation de la trousse du prolongateur

Remarques :

1. Effectuer un essai pour s'assurer que l'ensemble de l'installation fonctionne correctement avant de tirer les câbles à travers les plafonds/murs.
2. Pour obtenir la distance et la performance maximales, utiliser un câble Cat5e/6 à fils rigides 24 AWG. L'utilisation d'un câble Cat5e/6 à fils à toron (AWG) ou d'un câble dont le calibre est supérieur à 24 AWG donnera lieu à une distance d'extension plus courte. Un câble dont le calibre est supérieur, comme 26 AWG, a une capacité de transmission plus limitée qu'un câble dont le calibre est inférieur. Tous les câbles Cat6 de la série N202 Tripp Lite sont faits de câblage à fils rigides de 24 AWG.



1. S'assurer que la source HDMI est hors tension (OFF).
2. En utilisant un câble HDMI de série P568 de Tripp Lite, raccorder la source HDMI au port INPUT (entrée) du transmetteur.
3. Brancher le bloc d'alimentation externe au transmetteur et le brancher à un parasurtenseur Tripp Lite, à l'unité de distribution de puissance (PDU) ou à un onduleur. Le voyant à DEL RJ45 vert s'allume pour indiquer que l'appareil est alimenté par une source d'alimentation externe.

Installation de la trousse du prolongateur

4. En utilisant le câble Cat5e/6/6a, raccorder le port OUTPUT (sortie) sur le transmetteur au port RJ45 d'un récepteur. Le voyant à DEL vert RJ45 sur le transmetteur s'allumera pour indiquer que l'appareil est alimenté. Le voyant à DEL orange RJ45 s'allumera également pour indiquer que l'appareil est raccordé à un transmetteur sous tension.
5. Répéter l'étape 4 pour raccorder le port OUTPUT 2 (sortie 2) du transmetteur au récepteur supplémentaire.
6. Raccorder le connecteur HDMI du récepteur au port HDMI du moniteur.
7. Répéter l'étape 6 pour raccorder l'appareil à distance supplémentaire à un moniteur HDMI supplémentaire.
8. Mettre la source HDMI sous tension. Les voyants à DEL orange RJ45 s'allumeront sur le transmetteur pour indiquer qu'un signal est reçu de la source. L'image de la source devrait maintenant être affichée sur les moniteurs connectés.

Remarque : L'alimentation externe du transmetteur fournit suffisamment d'alimentation pour la plupart des écrans. Cependant, si de l'alimentation supplémentaire est nécessaire, un port USB Micro-B est fourni sur les récepteurs. Si aucune image ne s'affiche après avoir suivi les instructions d'installation, utiliser le câble USB Micro-B inclus pour raccorder les récepteurs au port USB du moniteur ou à un chargeur mural USB.

Dépannage

S'il n'est pas possible d'obtenir une image acceptable après avoir suivi les instructions d'installation, suivre les conseils de dépannage suivants.

- 1. La source d'alimentation externe de l'appareil est-elle connectée et branchée à une source en bon état de fonctionnement?** Pour que le produit fonctionne correctement, il doit être connecté à une source d'alimentation externe et alimenté par celle-ci.
- 2. Aucune image ne s'affiche après avoir suivi les instructions d'installation.** L'alimentation externe du transmetteur fournit suffisamment d'alimentation pour la plupart des écrans. Cependant, si de l'alimentation supplémentaire est nécessaire, un port USB Micro-B est fourni sur les récepteurs. Si aucune image ne s'affiche après avoir suivi les instructions d'installation, utiliser le câble USB Micro-B inclus pour raccorder les récepteurs au port USB du moniteur ou à un chargeur mural USB.
- 3. L'alimentation de la source HDMI a-t-elle été mise sous tension avant l'installation?** Si non, procéder à un redémarrage.
- 4. Quelle est la résolution cherchée?** Consulter les sections **Caractéristiques du produit** et **Installation de la trousse du prolongateur** dans le présent manuel pour des détails sur la distance et la résolution maximales. Plus la distance de la rallonge est courte, plus la résolution obtenue sera élevée. S'il n'est pas possible d'obtenir une image acceptable, essayer de réduire la résolution vidéo de l'ordinateur ou d'ajuster le taux de rafraîchissement.
- 5. Quel type de câblage est utilisé?** Le câblage de qualité inférieure peut entraîner une mauvaise performance. Il est donc important d'utiliser des câbles qui peuvent prendre en charge la résolution vidéo souhaitée. Pour obtenir la distance et la performance maximales, utiliser un câble UTP à fils rigides de 24 AWG (comme des câbles de série N202 de Tripp Lite).
- 6. Tester les câbles pour s'assurer qu'ils fonctionnent correctement.** Par exemple, raccorder le câble Cat5e/6/6a entre un ordinateur et un réseau pour vérifier qu'il s'établit une connexion réseau.

Dépannage

- 7. Y a-t-il des panneaux de câblage ou d'autres dispositifs entre le transmetteur et les récepteurs?** La trousse du prolongateur HDMI sur Cat5 de Tripp Lite a été conçue pour être raccordée directement du transmetteur aux récepteurs via le câble UTP. Plus il y a de points de connexion entre la source et le moniteur à distance, plus le signal est susceptible à la dégradation, causant une mauvaise performance. Si un panneau de câblage ou d'autres dispositifs sont présents entre le transmetteur et le récepteur, il doit être retiré de l'installation.
- 8. Y a-t-il un coupleur, un commutateur ou un autre dispositif entre la source vidéo et le transmetteur, ou entre les récepteurs et les écrans?** La trousse du prolongateur HDMI sur Cat5 de Tripp Lite a été conçue pour permettre au transmetteur de se raccorder directement à la source vidéo et pour permettre aux récepteurs de se raccorder directement aux écran. Si un coupleur, un commutateur ou un autre dispositif est présent entre la source vidéo et le transmetteur, ou entre le récepteur et l'écran, il doit être retiré de l'installation.
- 9. Vérifier le câblage pour s'assurer de l'absence de tout dommage qui aurait pu survenir durant l'installation.** Si un connecteur de câble est desserré après avoir été tiré à travers les plafonds/murs, ou si la gaine du câble est endommagée, exposant ainsi le câblage, il ne sera pas possible d'atteindre la performance maximale.
- 10. Le transmetteur ou les récepteurs se trouvent-ils dans un endroit où ils sont exposés à des températures élevées?** Si le produit surchauffe, il ne fonctionnera pas correctement.

Garantie

Garantie limitée d'un (1) an

TRIPP LITE garantit que ses produits sont exempts de vices de matériaux et de fabrication pendant une période d'un (1) an à partir de la date d'achat initiale. La responsabilité de TRIPP LITE, en vertu de la présente garantie, se limite à la réparation ou au remplacement (à sa seule discrétion) de ces produits défectueux. Pour obtenir réparation sous cette garantie, vous devez obtenir un numéro d'autorisation de retour de matériel (« RMA ») auprès de TRIPP LITE ou d'un centre de réparation autorisé par TRIPP LITE. Les produits doivent être retournés à TRIPP LITE ou à un centre de réparation autorisé par TRIPP LITE en port prépayé et être accompagnés d'une brève description du problème et d'un justificatif de la date et du lieu d'achat. Cette garantie ne s'applique pas au matériel ayant été endommagé suite à un accident, à une négligence ou à une application abusive, ou ayant été altéré ou modifié d'une façon quelconque.

SAUF INDICATION CONTRAIRE DANS LES PRÉSENTES, TRIPP LITE N'ÉMET AUCUNE GARANTIE, EXPRESSE OU TACITE, Y COMPRIS DES GARANTIES DE QUALITÉ COMMERCIALE ET D'ADÉQUATION À UN USAGE PARTICULIER. Certains États n'autorisant pas la limitation ni l'exclusion de garanties tacites, les limitations ou exclusions susmentionnées peuvent ne pas s'appliquer à l'acheteur.

À L'EXCEPTION DES DISPOSITIONS CI-DESSUS, TRIPP LITE NE POURRA EN AUCUN CAS ÊTRE TENUE RESPONSABLE DE DOMMAGES DIRECTS, INDIRECTS, SPÉCIAUX, FORTUITS OU CONSÉCUTIFS RÉSULTANT DE L'UTILISATION DE CE PRODUIT, MÊME SI AYANT ÉTÉ AVISÉE DE L'ÉVENTUALITÉ DE TELS DOMMAGES. Plus précisément, TRIPP LITE ne pourra être tenue responsable de coûts, tels que perte de bénéfices ou de recettes, perte de matériel, impossibilité d'utilisation du matériel, perte de logiciel, perte de données, frais de produits de remplacement, réclamations d'un tiers ou autres.

Garantie

L'information de conformité WEEE pour les clients de Tripp Lite et recycleurs (Union européenne)



Sous les directives et règlements de déchet d'équipements électrique et électronique (Waste Electrical and Electronic Equipment, WEEE), lorsque les clients achètent le matériel électrique et électronique neuf de Tripp Lite ils sont autorisés à :

- Envoyer le vieux matériel pour le recyclage sur une base de un-contre-un et en nature (ceci varie selon le pays)
- Renvoyer le matériel neuf pour recyclage quand ceci devient éventuellement un rebut

Il n'est pas recommandé d'utiliser cet équipement dans les applications de soutien vital où une panne de cet équipement serait susceptible de causer une panne de l'équipement de soutien vital ou d'affecter sérieusement sa sécurité ou son efficacité.

La politique de Tripp Lite en est une d'amélioration continue. Les spécifications sont sujettes à changement sans préavis.



Manufacturing
Excellence.

1111 W. 35th Street, Chicago, IL 60609 USA • www.tripplite.com/support

Руководство пользователя

Комплект 2-портовых ретрансляторов HDMI-сигнала через кабель Cat5 с питанием по кабелю (PoC)

Модель: B126-2P2M-POC

English 1 • Español 10 • Français 19



1111 W. 35th Street, Chicago, IL 60609 USA • www.tripplite.com/support

Охраняется авторским правом © 2017 Tripp Lite. Перепечатка запрещается.

Характеристики продукта

- Обеспечивает разделение и ретрансляцию HDMI-сигнала на два устройства отображения стандарта HDMI
- Ретранслирует сигнал стандарта 1080i на расстояние до 30 м от источника или сигнал стандарта 1080p (60 Гц) на расстояние до 15 м от источника
- Встроенная технология Power-over-Cable (PoC) обеспечивает питание приемных устройств по кабелю Cat5e/6/6a
- Вмонтированный HDMI-кабель подключается непосредственно к источнику HDMI-сигнала
- Сверхнизкопрофильные приемные модули со встроенным разъемом HDMI подключаются непосредственно к устройствам отображения HDMI-сигналов, что позволяет обеспечивать оптимальное размещение
- Соответствие требованиям HDCP и 3D
- Поддержка аудиосистем объемного звучания (многоканальных или ИКМ)
- Подключение по технологии Plug-and-play без необходимости использования какого-либо программного обеспечения или драйверов

Содержимое упаковки

- Передающий модуль
- Приемный модуль (2 шт.)
- Кабель с разъемами USB-A и USB Micro-B, длина 0,3 м (2 шт.)
- Внешний блок питания (Вход: 100-240 В; 50/60 Гц; 0,5 А Выход: 5 В, 2 А)
- Монтажные приспособления
- Руководство пользователя

Опциональные комплектующие

- Соединительные кабели Cat6 серии N202 с одножильными проводами калибра 24 AWG
- Высокоскоростные HDMI-кабели серии P568
- Высокоскоростные HDMI-кабели P569-XXX-LOCK* с разъемами Ethernet и фиксирующими винтами

*Длина до 4,5 м. XXX соответствует длине (например, 006 = 6 фт., 015 = 15 фт. и т.д.)

Указания по монтажу

Комплект В126-2Р2М-РОС включает в себя монтажную оснастку, позволяющую крепить передатчик различными способами. Эти методы крепления представлены ниже на рисунках.

Примечание. На иллюстрациях показана модель В126-1А1; установка модели В126-2Р2М-РОС осуществляется аналогичным образом.

Настенный монтаж



Монтаж в 19-дюймовой стойке



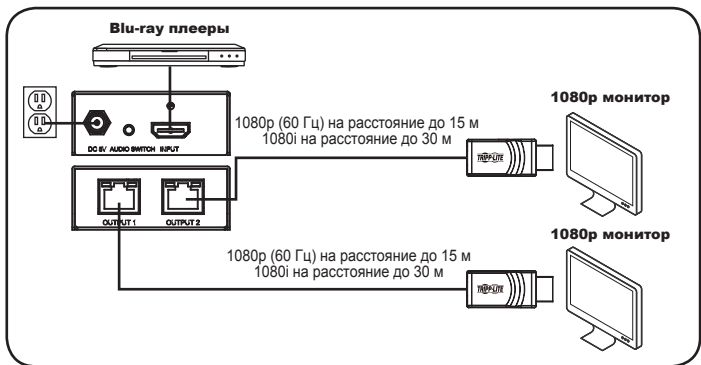
Монтаж на мачте



Установка ретранслятора

Примечания:

1. Перед протягиванием кабелей через стены/потолки необходимо проверить правильность функционирования всей установки.
2. Для достижения максимальной дистанции и производительности необходимо использовать кабель Cat5e/6a с одножильными проводами калибра 24 AWG. Использование кабеля Cat5e/6 с многожильными проводами или кабеля с проводами калибра выше 24 AWG приведет к сокращению длины ретрансляции. Кабели более высоких калибров (например, 26 AWG) имеют более ограниченную передающую способность по сравнению с кабелями более низких калибров. Все кабели Cat6 серии N202 марки Tripp Lite изготавливаются с использованием одножильных проводов калибра 24 AWG.



1. Убедитесь в том, что питание источника HDMI-сигнала отключено.
2. Подключите источник HDMI-сигнала ко входному порту (INPUT) передающего модуля с помощью HDMI-кабеля Tripp Lite серии P568).
3. Подключите внешний блок питания к передающему модулю и включите его в розетку сетевого фильтра, блока распределения питания (PDU) или источника бесперебойного питания (ИБП) Tripp Lite. Питание от внешнего источника отображается светодиодными индикаторами RJ45 зеленого цвета.

Установка ретранслятора

4. Соедините порт OUTPUT 1 передающего модуля с портом RJ45 приемного модуля с помощью кабеля Cat5e/6/6a. Наличие питания приемного модуля отображается светодиодным индикатором RJ45 зеленого цвета. Подключение модуля к запитанному передатчику отображается светодиодным индикатором RJ45 оранжевого цвета.
5. Повторите шаг 4 для подключения порта OUTPUT 2 передающего модуля к дополнительному приемному модулю
6. Соедините разъем HDMI приемного модуля с HDMI-портом монитора.
7. Повторите шаг 6 для подключения дополнительного блока дистанционного управления к дополнительному HDMI-монитору.
8. Включите питание источника HDMI-сигнала. Получение сигнала от источника передающим модулем отображается светодиодными индикаторами RJ45 оранжевого цвета. Теперь изображение, получаемое от источника, должно выводиться на подключенные мониторы.

Примечание. Внешний блок питания передающего модуля обеспечивает достаточное электропитание для большинства устройств отображения. Однако на случай потребности в дополнительном питании приемные модули оснащаются портом USB Micro-B. В случае отсутствия изображения после выполнения указаний по установке подключите приемники к USB-порту монитора или розетке USB при помощи кабелей с разъемами USB Micro-B, входящих в комплект.

Выявление и устранение неисправностей

Если выполнение указаний по установке не позволяет достичь приемлемого качества изображения, попробуйте воспользоваться приведенными ниже рекомендациями по выявлению и устранению неисправностей.

- 1. Подключен ли внешний блок питания модуля к работающему источнику питания?**
Для надлежащего функционирования данного изделия оно должно подключаться к внешнему блоку питания и запитываться от него.
- 2. После выполнения указаний по установке изображение отсутствует.** Внешний блок питания передающего модуля обеспечивает достаточное электропитание для большинства устройств отображения. Однако на случай потребности в дополнительном питании приемные модули оснащаются портом USB Micro-B. В случае отсутствия изображения после выполнения указаний по установке подключите приемники к USB-порту монитора или розетке USB при помощи кабелей с разъемами USB Micro-B, входящих в комплект.
- 3. Было ли отключено питание источника HDMI-сигнала перед началом установки?**
Если нет, выполните его перезапуск.
- 4. Какого разрешения вы пытаетесь добиться?** Подробнее о максимальных значениях дистанции и разрешения см. в разделах **Функциональные возможности изделия** и **Установка комплекта ретрансляторов**. Чем меньше длина ретрансляции, тем выше разрешение, которое вы сможете получить. В случае невозможности добиться приемлемого качества изображения попробуйте уменьшить видеоразрешение компьютера или отрегулировать частоту обновления.
- 5. Какой тип кабелей вы используете?** Использование ненадлежащих кабелей может привести к ухудшению рабочих характеристик. Необходимо использовать кабели, поддерживающие тот уровень видеоразрешения, который вы пытаетесь получить. Для достижения максимально возможных значений дистанции и разрешения необходимо использовать кабель типа UTP с одножильными проводами калибра 24 AWG (например, предлагаемые компанией Tripp Lite кабели серии N202).
- 6. Проверьте используемые кабели на предмет их надлежащего функционирования.** Например, подключите компьютер к сети при помощи кабеля Cat5e/6/6a с целью проверки того, обеспечивает ли он сетевое соединение.

Выявление и устранение неисправностей

- 7. Установлены ли какие либо коммутационные панели или другие устройства между передающим и приемным модулями?** Выпускаемые компанией Tripp Lite ретрансляторы сигнала HDMI по кабелям Cat5 рассчитаны на прямое соединение передающего и приемного модулей через неэкранированный кабель типа "витая пара" (UTP). Чем больше точек соединения между источником и удаленными мониторами, тем выше вероятность снижения качества сигнала, вызывающего ухудшение рабочих характеристик. При наличии коммутационной панели или другого устройства между передающим и приемным модулями их необходимо исключить из состава установки.
- 8. Имеется ли разветвитель, коммутатор или какое-либо другое устройство между источником видеосигнала и передатчиком или между приемниками и устройствами отображения?** Выпускаемые компанией Tripp Lite ретрансляторы сигнала HDMI по кабелям Cat5 рассчитаны на прямое подключение передающего модуля к источнику видеосигнала и прямое подключение приемников к устройствам отображения. При наличии разветвителя, коммутатора или какого-либо другого устройство между источником видеосигнала и передатчиком или между приемниками и устройствами отображения их необходимо исключить из состава установки.
- 9. Проверьте кабели на предмет наличия повреждений, которые могли произойти в процессе установки.** В случае разбалтывания кабельного разъема при протягивании кабеля через стены/потолки или повреждения кабельной оболочки, вызывающего оголение проводов, достижение максимальных рабочих характеристик не представляется возможным.
- 10. Не подвергаются ли передающий и/или приемный модули воздействию повышенных температур в тех местах, где они установлены?** В случае перегрева изделие не может функционировать надлежащим образом.

Гарантийные обязательства

Ограниченная гарантия 1 год

Компания TRIPP LITE гарантирует отсутствие дефектов материалов и изготовления в течение одного (1) года с момента первоначальной покупки. Обязательства компании TRIPP LITE по настоящей гарантии ограничиваются ремонтом или заменой (по ее единоличному усмотрению) любых таких дефектных изделий. Для получения услуг по данной гарантии необходимо получить номер Returned Material Authorization (RMA - разрешение на возврат материалов) от компании TRIPP LITE или ее авторизованного сервисного центра. Изделия должны быть возвращены в компанию TRIPP LITE или авторизованный сервисный центр TRIPP LITE с предоплатой транспортных расходов и сопровождаться кратким описанием возникшей проблемы и документом, подтверждающим дату и место его приобретения. Действие настоящей гарантии не распространяется на оборудование, поврежденное в результате аварии, небрежного обращения или неправильного использования, а также видоизмененное каким бы то ни было образом.

ЗА ИСКЛЮЧЕНИЕМ ПРЕДУСМОТРЕННЫХ ЗДЕСЬ СЛУЧАЕВ КОМПАНИЯ TRIPP LITE НЕ ПРЕДОСТАВЛЯЕТ КАКИХ-ЛИБО ЯВНЫХ ИЛИ ПОДРАЗУМЕВАЕМЫХ ГАРАНТИЙ, ВКЛЮЧАЯ ГАРАНТИИ КОММЕРЧЕСКОЙ ПРИГОДНОСТИ И ПРИГОДНОСТИ ДЛЯ КАКОЙ-ЛИБО КОНКРЕТНОЙ ЦЕЛИ. В некоторых штатах/государствах ограничение или исключение подразумеваемых гарантий не допускается; следовательно, вышеуказанное(-ые) ограничение(-я) или исключение(-я) могут не распространяться на покупателя.

ЗА ИСКЛЮЧЕНИЕМ ПРЕДУСМОТРЕННЫХ ВЫШЕ СЛУЧАЕВ КОМПАНИЯ TRIPP LITE НИ ПРИ КАКИХ ОБСТОЯТЕЛЬСТВАХ НЕ НЕСЕТ ОТВЕТСТВЕННОСТИ ЗА ПРЯМЫЕ, КОСВЕННЫЕ, СЛУЧАЙНЫЕ ИЛИ ПОБОЧНЫЕ УБЫТКИ ЛИБО УБЫТКИ, ОПРЕДЕЛЯЕМЫЕ ОСОБЫМИ ОБСТОЯТЕЛЬСТВАМИ, ВОЗНИКАЮЩИЕ В СВЯЗИ С ИСПОЛЬЗОВАНИЕМ ДАННОГО ИЗДЕЛИЯ, ДАЖЕ В СЛУЧАЕ ЕЕ ИНФОРМИРОВАНИЯ О ВОЗМОЖНОСТИ НАСТУПЛЕНИЯ ТАКИХ УБЫТКОВ. В частности, компания TRIPP LITE не несет ответственности за какие-либо издержки, такие как упущенные прибыли или доходы, потеря оборудования, потеря возможности использования оборудования, потеря программного обеспечения, потеря данных, расходы на заменители, урегулирование претензий третьих лиц и пр.

Гарантийные обязательства

Информация для клиентов компании Tripp Lite о соблюдении требований директивы ЕС об отходах электрического и электронного оборудования (WEEE)



Согласно директиве ЕС об отходах электрического и электронного оборудования (WEEE) и применимым нормам в случаях, когда покупатели приобретают новое электрическое и электронное оборудование компании Tripp Lite, они имеют право на следующее:

- Отpravку старого оборудования, которое является эквивалентным по количеству и идентичным полученному новому оборудованию, на утилизацию (это условие может отличаться в зависимости от страны)
- Отpravку нового оборудования обратно на утилизацию, когда оно в конечном итоге становится изношенным

Не рекомендуется использование данного оборудования в системах жизнеобеспечения, где его выход из строя предположительно может привести к перебоям в работе оборудования жизнеобеспечения или в значительной мере снизить его безопасность или эффективность.

Компания Tripp Lite постоянно совершенствует свою продукцию. В связи с этим возможно изменение технических характеристик без предварительного уведомления.



1111 W. 35th Street, Chicago, IL 60609 USA - www.tripplite.com/support