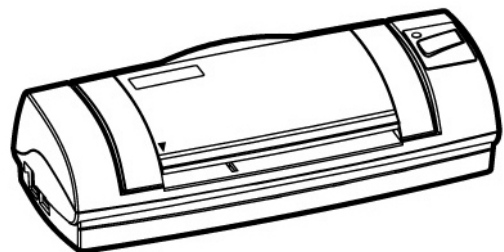




Scanner User's Guide

MobileOffice D620



Trademarks

© 2022 Plustek Inc. All rights are reserved. No portion of this document may be reproduced without permission.

Plustek is a registered trademark of Plustek Inc. OCR processing by ABBYY® FineReader®, © 2022 ABBYY. ABBYY and FineReader are trademarks of ABBYY Software, Ltd. which may be registered in some jurisdictions.

All trademarks and brand names mentioned in this publication are property of their respective owners.

Liability

While all efforts have been made to ensure the accuracy of all contents in this manual, we assume no liability for errors or omissions or by statements of any kind in this manual, whether such errors are omissions or statements resulting from negligence, accidents, or any other cause. The contents of this manual are subject to change without notice. We will not shoulder any legal liability, if users failed to follow the operation instructions in this manual.

Copyright

The scanning of certain documents, for example checks, bank notes, I.D. cards, government bonds, or public documents, may be prohibited by law and/or subject to criminal prosecution. We recommend you to be responsible and respectful of the copyrights laws when you are scanning books, magazines, journals and other materials.

Environmental Information

Recycle or disposal at end-of-life information, please ask local distributors or suppliers for recycle and disposal information. The product is designed and produced to achieve sustainable environmental improvement. We strive to produce products in compliance with global environmental standards. Please consult your local authorities for proper disposal.

The product packaging is recyclable.

Attention for recycling (For EU country only)

Protect your environment! This product should not be thrown into the household waste container. Please give it to the free collecting center in your community.

Screen Examples in This Manual

The screen shots in this guide were made with Windows 7. If you are using Windows 8 / 10 / 11, your screen will look somewhat different but functions the same.

Table of Contents

INTRODUCTION	1
How to Use This Guide	1
<i>Conventions of This Guide</i>	1
<i>A Note about Icons</i>	2
Safety Precautions.....	2
System Requirements	3
Box Contents	3
Scanner Overview	4
CHAPTER I. INSTALLING THE SCANNER	5
Software Installation Requirements	5
Hardware Requirements	5
Installing and Setting up the Scanner	6
<i>Step 1. Connecting the Scanner to Your Computer</i>	6
<i>Step 2. Installing the Software</i>	6
<i>Step 3. Testing the Scanner</i>	8
Software Setup Troubleshooting	9
Installing Additional Software.....	9
CHAPTER II. SCANNING	10
Scanning.....	10
<i>Scanning Button</i>	10
<i>Card Scanning</i>	11
<i>Document Scanning</i>	12
Scanning Methods	12
<i>Scanning via TWAIN Interface</i>	13
<i>Scanning from the Scanner's Panel or On-screen DocAction's Execute Menu</i>	13
<i>Scanning from the Icon in the Left Side of the DocAction Window</i>	15
Scanning Tips	16
Scanner Connection	17
CHAPTER III. CLEAN AND MAINTENANCE	18
Clean the Scanner	18
<i>Cleaning Materials</i>	18
<i>Clean Feed Roller and Glass</i>	18
<i>Calibrating the Scanner</i>	19
Power Save	20
Usage & Maintenance Tips.....	20
APPENDIX A: TROUBLESHOOTING	21
Scanning Problems.....	21
APPENDIX B: SPECIFICATIONS	26
APPENDIX C: CUSTOMER SERVICE AND WARRANTY	27
Service & Support Information (For EU country only).....	27
Statement of Limited Warranty	28
FCC Radio Frequency Statement.....	29

Introduction

Welcome to the world of Plustek scanners – the ultimate in computer imaging. Your new scanner will improve the professionalism of your day-to-day computing tasks by allowing you to input images and electronic text into your computer system.

Like all of our products, your new scanner is thoroughly tested and backed by our reputation for unsurpassed dependability and customer satisfaction.

Thank you for choosing us as your scanner supplier. We hope you will continue to turn to us for additional quality products as your computing needs and interests grow.

How to Use This Guide

This User's Guide provides instructions and illustrations on how to install and operate your scanner. This guide assumes the user is familiar with Microsoft Windows. If this is not the case, we suggest you learn more about Microsoft Windows by referring to your Microsoft Windows manual before using your scanner.

The Introduction section of this manual describes the box contents and minimum computer requirements to use this scanner. Before you start installing your scanner, check the box contents to make sure all parts are included. If any items are damaged or missing, please contact the vendor where you purchased your scanner or our customer service directly.

Chapter I describes how to install scanner's software and connect the scanner to your computer. Note: The scanner connects to your computer through the Universal Serial Bus (USB). If your computer does not support USB technology, you will need to purchase a USB interface card to add USB capabilities to your computer, or buy and install USB connectors if your motherboard has USB capabilities. This guide assumes that your computer is USB-ready and has a free USB port.

Chapter II and III describes how to use, maintain and clean your scanner.

Appendix A contains technical support information that can help you solve simple problems. Before calling for help, please read through Appendix A: Troubleshooting.

Appendix B contains the Specifications of the scanner you purchased.

Appendix C contains our limited warranty agreement and FCC statement concerning the product.

Conventions of This Guide

Bold — Important note or first use of an important term in a chapter.

"XXX" — Represents commands or contents on your computer screen.

A Note about Icons

This guide uses the following icons to point out information that deserves special attention.



Warning

A procedure that must be followed carefully to prevent injury, or accidents.



Attention

Instructions that are important to remember and may prevent mistakes.



Information

Optional tips for your reference.

Safety Precautions

Before using this device, please read the following important information to eliminate or reduce any possibility of causing damage and personal injury.

1. Usage, the product is for indoor use in dry locations. Moisture condensation may occur inside this device and cause malfunction at these conditions:
 - when this device is moved directly from a cold to a warm location;
 - after a cold room is heated;
 - when this device is placed in a damp room.

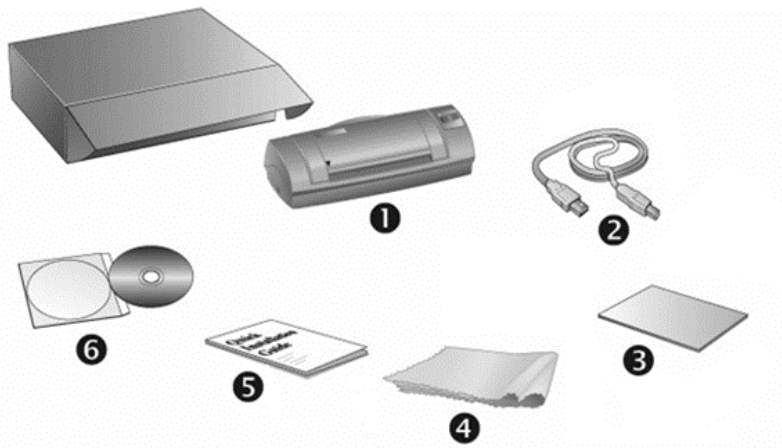
To avoid the moisture condensation, you are recommended to follow the procedure:

- i. Seal this device in a plastic bag for it to adapt to room conditions.
 - ii. Wait for 1-2 hours before removing this device from the bag.
2. Do use the AC adapter and USB cable provided with the scanner. Use of other cable may lead to malfunction.
 3. Avoid using the scanner in a dusty environment. Dust particles and other foreign objects may damage the unit.
 4. Do not subject the scanner to excessive vibration. It may damage the internal components.
 5. Unplug this device if you don't need to use for a certain period of time, such as, during night or long weekend, to avoid any risks of causing fire.
 6. Do not attempt to disassemble the scanner. There is danger of an electrical shock and opening your scanner will void your warranty.

System Requirements¹

- 2.0 GHz CPU processor or higher[1]
[1] Windows Recommended: 2.8 GHz Intel® Core™ i5 Processor with 4 CPU Cores or higher
- 4 GB RAM minimum (Recommended: 8 GB or more)
- 6 GB of hard-disk space for program installation
- BUS Powered
- Display dimensions of 1024x768 or greater
- Operating System: Windows 7 / 8 / 10 / 11

Box Contents²

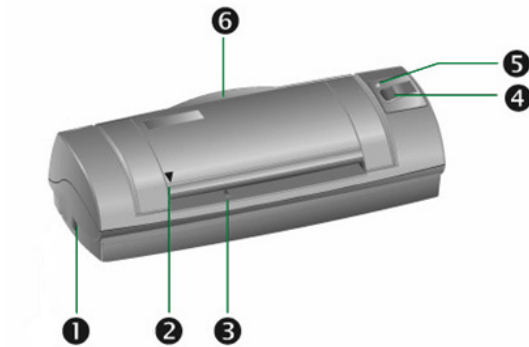


1. Scanner
2. USB Cable
3. Calibration Sheet
4. Cleansing cloth
5. Quick Guide
6. Setup/Application DVD-ROM

¹ Higher requirements might be needed when scanning or editing a large quantity of image data. The system requirements here are only a guideline, as in general the better the computer (motherboard, processor, hard disk, RAM, video graphic card), the better the results.

² Save the box and packing materials in case you need to transport this scanner in the future. The product packaging can be recycled.

Scanner Overview



1. **USB Port:** It connects the scanner to a USB port on your computer by the included USB cable.
2. **Alignment Mark:** Always align the edges of your documents to this arrow sign.
3. **Page Feed Slot:** Feed the document into the scanner from this slot. You can feel the document being grabbed by the scanner.
4. **Scan Button:** Press to perform a predefined scanning task.
5. **Power LED:** Indicates the scanner status.

Light	Status
On	The scanner is turned on, ready to scan images.
Off	The scanner is off, either because the power is not turned on, or because the AC adapter is not properly plugged into an AC power outlet.

6. **Bracket:** Open the bracket when using the scanner. Hold the document or card in place.

Chapter I. Installing the Scanner

Before installing your scanner, please verify that you have all of the proper components. A list of the package contents is provided in the *Box Contents* section of this guide.

Software Installation Requirements

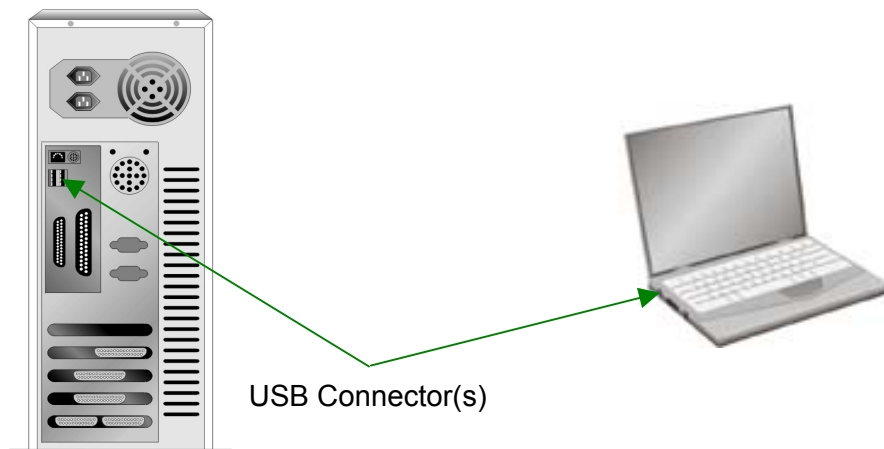
Your scanner comes with OCR software (ABBYY FineReader Sprint), the scanner's driver and the DocAction software. All of these software applications use approximately 800 megabytes of hard disk space after they are installed into your computer. To ensure ample room for the installation, as well as for scanning and saving images, a minimum of 1 gigabyte of hard disk space is recommended.

The USB scanner can only operate under the Microsoft Windows 7 / 8 / 10 / 11 operating system.

Hardware Requirements

This scanner connects to your computer through the Universal Serial Bus (USB), which supports **hot swap**. To determine whether your computer is USB-capable, you must check the rear of your PC to locate a USB jack that looks the same as the one pictured below. Note that on some computers, the USB port at the rear of the computer may be occupied and additional ports may be found on the monitor or keyboard. If you are having trouble in locating the USB port on your computer, please refer to the hardware manual that came with your computer.

Upon examination, you should find one or two rectangular USB ports, which usually appear as shown below.

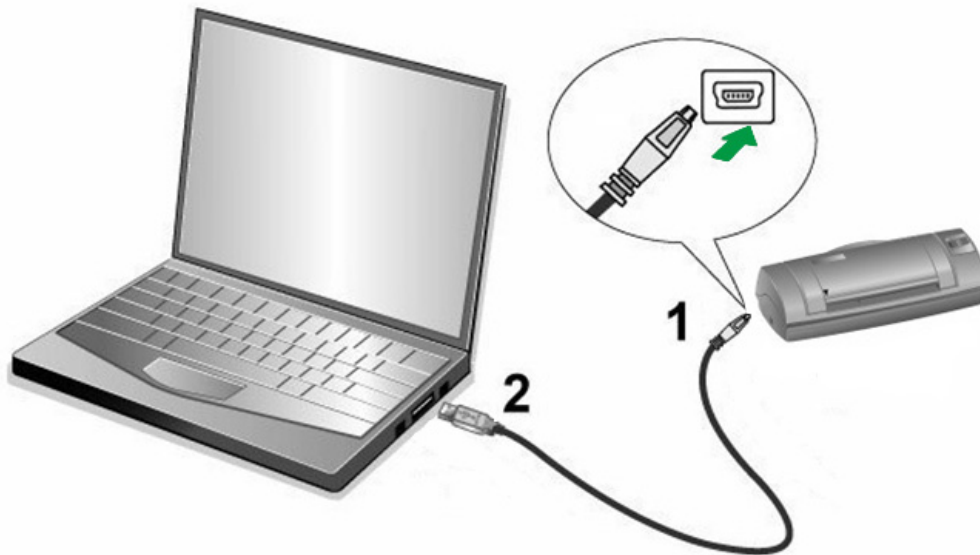


If you don't find such USB ports on your computer, then you need to purchase a certified USB interface card to add USB capabilities to your computer.

Installing and Setting up the Scanner

Please follow the step-by-step procedures described below to install the Plustek scanner.

Step 1. Connecting the Scanner to Your Computer



1. Plug the square end of the included USB cable to the USB port of the scanner.
2. Plug the rectangular end of the USB cable to the USB port of your computer.

Step 2. Installing the Software

1. If the USB components on your computer are functioning correctly, they will automatically detect the scanner causing the “Add New Hardware Wizard” or “Found New Hardware Wizard” to be launched.

Note: If your computer was off when you connected the scanner, the “Add New Hardware Wizard” message will be displayed when you turn the computer on and when Windows starts.

2. For Windows 7:

When the Setup/Application DVD is for several scanner models

- a. Insert the Setup/Application DVD-ROM, included with your scanner, into your DVD-ROM drive. Click **Run install.exe** in the **AutoPlay** window.
- b. Click on the **Yes** button if the **User Account Control** dialog pops up. Follow the instructions in the pop-up installation message.

- c. In the **Device Manager** window, right-click on this scanner under **Other devices** and select **Update Driver Software** from the pop-up menu. Click **Browse my computer for driver software** in the window that appears, and click the **Browse** button.
- d. In the **Browse For Folder** window, select the folder or the DVD-ROM drive that contains this scanner's driver and click the **OK** button to return to the previous screen. Click the **Next** button and click **Install this driver software anyway** if the **Windows Security** window appears. Afterwards, please skip to procedure 4.

When the Setup/Application DVD is for one scanner model

- a. Insert the Setup/Application DVD-ROM, included with your scanner, into your DVD-ROM drive. Click **Run install.exe** in the **AutoPlay** window.
 - b. Click on the **Yes** button if the **User Account Control** dialog pops up. Afterwards, please skip to procedure 4.
3. For Windows 8 / 10 / 11:
- a. Insert the Setup/Application DVD-ROM, included with your scanner, into your DVD-ROM drive. Click on the pop-up notification, then click **Run install.exe** in the pop-up window. If you miss the pop-up notification, please eject and re-insert the Setup/Application DVD-ROM.
 - b. Click on the **Yes** button if the **User Account Control** dialog pops up. Afterwards, please skip to procedure 4.
4. Follow the on-screen instructions to install all software that your new USB scanner requires. If the pop-up wizard window appears click **Next**, and click **Install this driver software anyway** in the **Windows Security** window then click **Finish** in the wizard window.
5. After the software is installed, you will be prompted to perform the scanner calibration.
6. Insert the special calibration sheet, included with the scanner, face up into the page feed slot of the scanner.



7. Follow the on-screen instructions to complete the scanner calibration.
8. After the installation is complete, close all open applications and click on the **Finish** button to restart your computer.





Attention

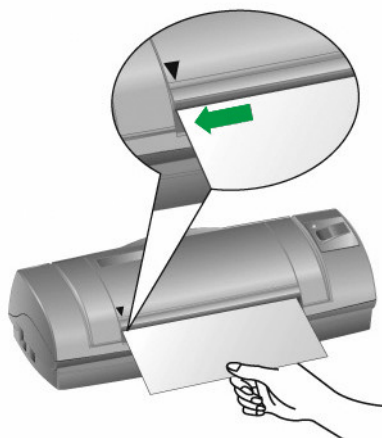
- Alternatively you may also use any plain white sheet of paper sized in A6 (105 x 148 mm) instead; however, the calibration effect may be less good than the special calibration sheet.
 - Save the Setup/Application DVD in case you need to reinstall the driver and software in the future.
 - Save the Calibration Sheet in case you need to calibrate the scanner in the future.
-

Step 3. Testing the Scanner

The following test procedure checks to see if the scanner is properly functioning with your computer and the scanning software. Before testing your scanner, double check to make sure that all connections are securely fastened.

To properly test your scanner, please perform the following steps:

1. Do one of the following to open the Button Configuration window:
 - Double-click the DocAction icon  in the Windows system tray.
 - Right-click the DocAction icon  in the Windows system tray, and then choose **Button Configuration...** in the pop-up menu that opens.
2. In the Button Configuration window, choose from the dropdown list of Button Template to select "File Utility", and keep in mind the default saving folder show in the "Saving folder" dropdown list.
3. Insert the document face up into the scanner. Align the paper to the arrow sign on the left of the scanner.



4. Click the **Scan** button, and the scanning starts immediately. After the scanner pulls through the paper, you'll see a scanned image of the document in the default saving folder; your scanner is working properly.

**Attention**

If the test failed in any way, please refer to “Appendix A: Troubleshooting” section of this manual and follow the instructions therein.

Software Setup Troubleshooting

Carefully review the steps outlined in this guide and the Quick Guide that accompanied your scanner.

If you are still having problems, please check that:

- You have 800 MB of free space on your hard disk drive.
- The scanner is plugged in and has power.
- You are using the USB cable supplied with the scanner.
- The square end of the USB cable is plugged into the rear of the scanner.
- The rectangular end of the USB cable is plugged into the back of your computer.

If you deviated from the installation procedures defined in this manual, please unplug the USB cable from the scanner and reinstall the software from the DVD-ROM.

Installing Additional Software

Your scanner is TWAIN compliant and functions with virtually all available TWAIN compatible software. If you purchase additional software to be used with your scanner, please make sure that it conforms to the TWAIN standard.

Chapter II. Scanning

Your scanner needs to be driven by certain type of software program. Since all documents or images (whether text or pictures) that are acquired from the scanner are treated by your computer as images, most scanning will probably be done from an image-editing program where you can view, edit, save and output the scanned images.

What about scanning text documents and editing them in a word processor? This is the role of Optical Character Recognition (OCR) software. OCR software converts the image files that are created from scanning text documents into text files that can be viewed, edited and saved by word processors. An OCR program has also been bundled on the included Setup/Application DVD-ROM, and if you wish to use the scanner in this way you should install the OCR software that is included.

The DocAction program, seamlessly integrating the operation of your scanner with your computer and other peripherals, provides a quick and convenient way to perform various scanning functions. With DocAction, you don't need to adjust settings every time you scan. Simply press any button on the scanner's front panel or click any scanning menu item of DocAction on the screen. The scanner starts to scan your paper documents and transfer them to your assigned destination. The destination can be a printer, your E-mail program, files on your disk drives, an image-editing program, etc.

Please refer to the online help of each program to guide you through any questions you may have while scanning within that program.

Scanning

Scanning Button

Your scanner is equipped with one button designed to make your scanning experience more convenient and efficient.



Attention

To use the button, ensure you have installed the relevant software (e.g., the printer driver is required for using the printer function) beforehand.

Card Scanning

This is the special design for plastic card scan. Besides A6 documents, you can insert up to 1.2 mm thickness plastic card for scanning. Plastic cards include: emboss/credit card, driver license, ID card, medic-care or any membership cards. Make sure to load the embossed face of the embossed card face up into the scanner.

Plastic card scanning

To scan the plastic card, please follow the steps:

1. Please change the button setting from the DocAction window. Align the plastic card to the arrow sign on the left of the scanner.



2. Press the Scan Button. The scanning starts immediately.
3. If you have the "Continuous scan" option checked, insert another card until you have scanned all.
4. When the scan completes, the scanned images will be saved to the defined file path as separate image files and sent to the assigned post-processing software. (e.g. File, Program, PDF, OCR, E-mail, or Printer)

Business card scanning

To scan the business card, please follow the steps:

1. Please change the button setting from the DocAction window. Align the business card to the arrow sign on the left of the scanner.

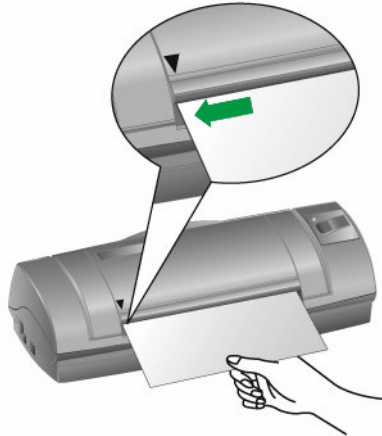


2. The steps 2 to 4 please refer to the same steps of the "Plastic card scanning".

Document Scanning

Actually, document scanning is similar with the card scanning, however, we'll describe the steps simply for you:

1. Please change the button setting from the DocAction window. Align the document to the arrow sign on the left of the scanner.



2. The steps 2 to 4 please refer to the same steps of the "Plastic card scanning".

Scanning Methods

There are 3 different ways to operate the scanner:


1. By acquiring images from the scanner through our TWAIN interface within any TWAIN-compliant application programs.
2. By scanning from the button on the scanner front panel.
3. By scanning from DocAction's Execute menu on the screen.

The TWAIN interface and DocAction software are automatically installed to your system along with the scanner driver.



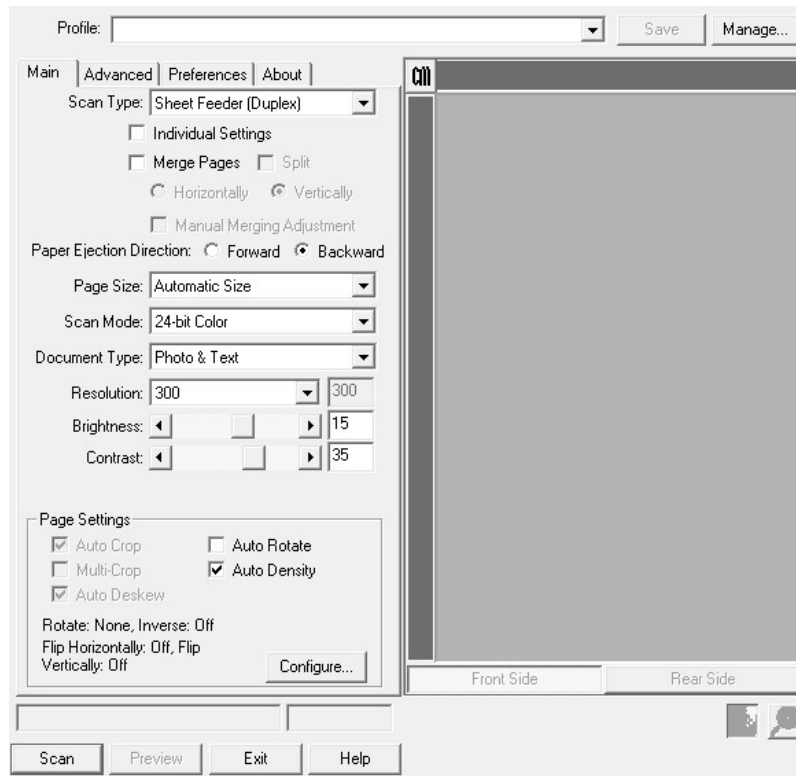
Attention

Before you start scanning, check the following:

1. The power of both your computer and scanner is turned on.
 2. The icon  appears on the Windows system tray.
 3. Paper is appropriately loaded into the scanner.
-

Scanning via TWAIN Interface

The TWAIN program is a very important piece of software that comes with your scanner. This program acts as an interface between the scanner hardware and the image-editing software you are using to view and edit images. The TWAIN program allows you to adjust a number of settings to define the quality of the scanned image.



Scanning from the Scanner's Panel or On-screen DocAction's Execute Menu


The settings for the button on the scanner's panel are configured through DocAction. DocAction offers you quick access to the most frequently-used scanning functions. They are especially useful when you need to repeatedly scan with the same settings and send images to the same destination.

The button on the scanner panel will be used in this guide to demonstrate the scanner operations. You may also use DocAction's on-screen Execute menu to perform the same scanning tasks.

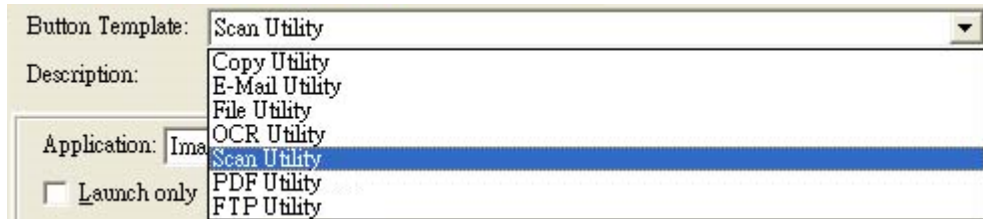
Configure Button Settings

Before performing your first scan via scanner buttons, you are recommended to configure the button settings to your needs and preferences first. There are two ways to configure or view the button settings of DocAction:

- Double-click the icon  in the Windows system tray.

- Right-click the icon  in the Windows system tray, and then choose **Button Configuration** in the pop-up menu that opens.

Within the “Button Configuration” window, you can find Custom icon on the left side of the window. Clicking the icon on the left pane and its current button settings are displayed immediately on the right pane. Select the desired function from the drop-down list of Button Template. You may adjust the settings as desired.

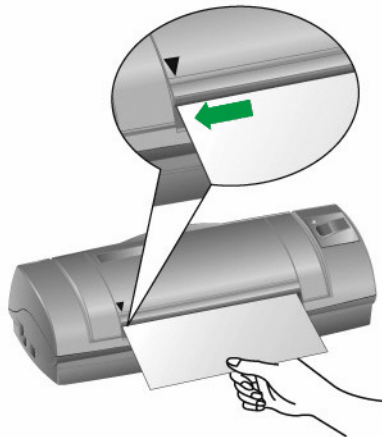


Click the **Help** button within the Button Configuration window for more information about the settings.

Scan from the Button


Scanning documents or images from this scanner is very easy. Follow the two steps described below:

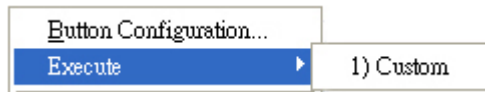
1. Place the document or image onto the scanner.



2. Do one of the following to start scanning:
 - Press the button from the scanner's panel.



- Right-click the icon  in the Windows system tray, and then choose Execute in the pop-up menu that opens. Click the Custom button function item in the pop-up menu.



The scanner starts to scan immediately and carry out the corresponding action according to the settings you have set up in the Button Configuration window.



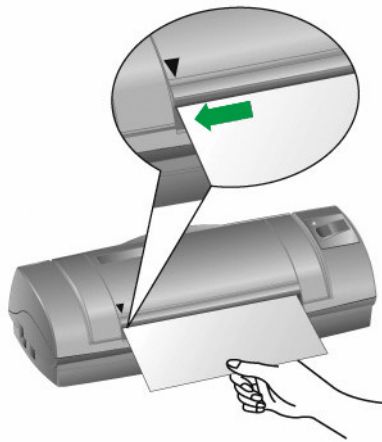
Attention

The [Custom] button can function with the default setting “Scan”, even though you didn’t define the function by using DocAction beforehand.

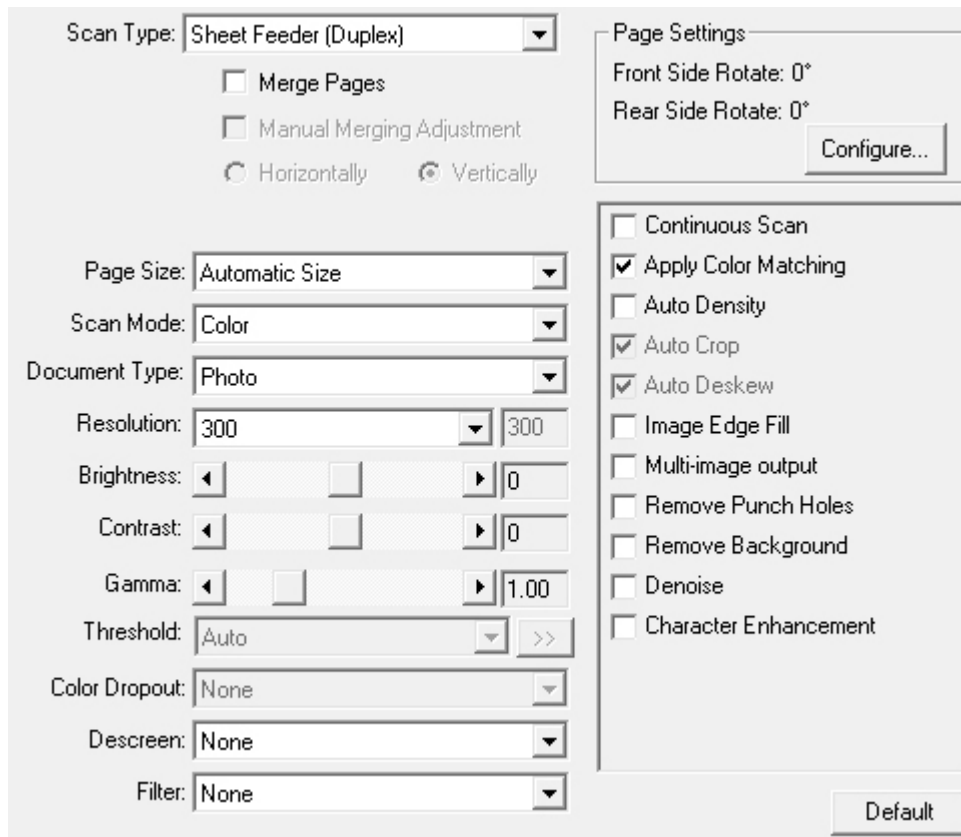
Scanning from the Icon in the Left Side of the DocAction Window

You can perform scanning task by double-clicking the icon in the left side of the DocAction window. Follow the steps described below:

1. Place the document or images onto the scanner.



2. Check current button settings by viewing the Button Configuration window. If needed, you may also modify settings to meet your current needs.



3. Double-clicking the desired icon in the left side of the DocAction window.



The scanner starts to scan immediately and carry out the corresponding action according to settings you have set up in the Button Configuration window.

Scanning Tips

Reducing the File Size of Images:


- Change the scan mode. Color mode collects the most amount of information and therefore requires more memory than either grayscale or black and white mode.
- Reduce the resolution.
- Reduce the scan area.



Determining the Correct Amount of Resolution:

- In many cases a high-resolution image will do nothing more but dramatically increase the file size, take up more disk space, and slow down the process.

- Internet Applications: For e-mailing color photos or pasting images on Web sites, a resolution of 100 dpi is the best choice. This is because the actual viewable resolution of the average monitor is 72 dpi. Additionally, download times are dramatically reduced.
- Printing to Ink Jet Printers: Check your printer documentation for recommended printer resolution settings. We recommend ranges between 75-300 dpi in general. Only use a higher scanning resolution (300 dpi and above) for smaller images when detail must be captured in a small area because it will be enlarged later.
- Laser and Commercial Printers: When printing an image to a laser printer or commercial printing press, it is important to understand the process in terms of line screen (a.k.a., LPI). Line screens are the number of screen lines per inch when an image is halftoned. Halftoning is the process of breaking the image down into a series of dots to reproduce continuous-tone art when printing on a press. A general rule when printing in one of these two manners is to scan one and a half to two-times the amount of the line screen. Laser printers that have resolution ranges of 300 and 600 dpi will have line screens between 50 and 100. Typical commercial printing is done at an average line screen of about 150. Therefore, an optimal scanning resolution would be 200 or 300 dpi.

Scanner Connection

The first step to take when troubleshooting connection problems with your scanner is to check all physical connections. The DocAction icon  , located on the Windows system tray, indicates if the scanner software is properly launched and the scanner and computer are communicating with each other.

Appearance	Status
	The program has been successfully launched and the scanner is connected with the computer, ready to scan images.
	The scanner is not connected with the computer. Or, the scanner power is not switched on.
No Display	You have chosen to terminate the program, no matter the scanner is connected or disconnected with the computer.

Chapter III.

Clean and Maintenance

Your scanner is designed to be maintenance-free. However, constant care and maintenance can keep your scanner working smoothly.

Clean the Scanner

Paper powder, dust, ink and toner from paper being scanned may make the inner scanner dirty, which leads to poor image quality or document-feeding errors. Often clean your scanner could ensure your scanning better efficiency.



- Before cleaning the scanner, turn off the scanner and disconnect the scanner's power cable and USB cable, and then wait a few minutes for the glass and/or the inner scanner to cool to ambient temperature.
- Wash your hands with soap and water after cleaning the scanner.

Cleaning Materials

Have the following cleaning materials ready to clean the scanner:

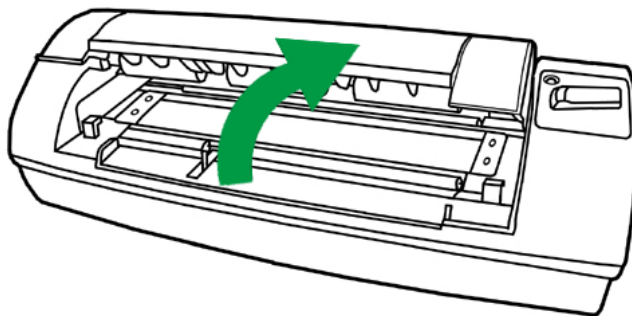
- **Cleansing cloth (or a cotton swab)**
- **non-abrasive cleaner** - Isopropyl alcohol (95%). DO NOT use water.



- Alternatively you can use glass cleaner or neutral detergent for windows cleaning to clean the scanner glass.
- However, DO NOT use either of them to clean the scanner.
- Use of other cleaning materials could damage your scanner.

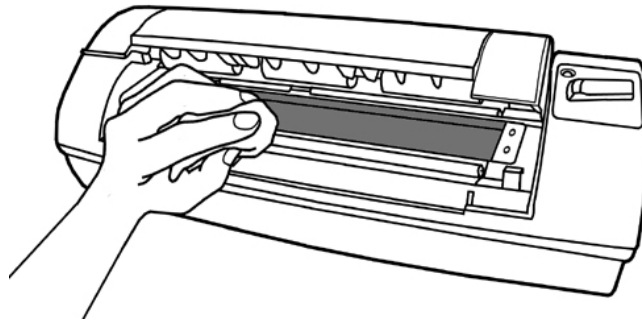
Clean Feed Roller and Glass

1. Open the scanner cover gently.



2. Wipe the Feed Roller from side to side and then roll it.

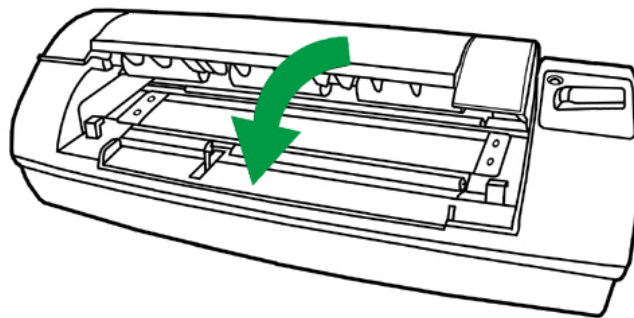
3. Clean the glass side to side. Repeat this until its entire surface is cleaned.



Do not spray cleaner directly onto the scanner glass. Excess liquid residue may fog or damage the scanner.

Attention

4. Wait for cleaned areas to dry completely.
5. Press down the revolt bracket until it snaps back into place.

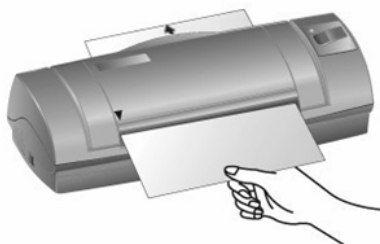


Calibrating the Scanner

Calibrate the scanner if colors appear in areas that should be white, or colors of the scanned image and the original vary a lot. This allows you to adjust and compensate for variations that can occur in the optical component over time by its nature.

The following describes how to calibrate the scanner:

1. Insert the special calibration sheet face up into the page feed slot of the scanner.





Attention

Please insert the special calibration sheet included with the scanner. Alternatively you may also use any plain white sheet of paper sized in A6 (105 x 148 mm) instead; however, the calibration effect may be less good than the special calibration sheet.

2. Click **Start** > **All Programs** > **Your scanner model name** > **Calibration Wizard**. (For Windows 8.1 users: Point your mouse cursor to the upper or lower right corner of your screen to open the **Charm** bar. Click on the **Start** charm, then click on the downwards arrow button in the lower left corner of the screen. The **Apps** screen will be shown. Move your cursor to the right edge of the screen to scroll right until you find **Your scanner model name**, and then click on **Calibration Wizard**.)
3. Click **Next** from the Calibration Wizard that pops up and then click **Calibrate Now....**
4. Click on the **Start** button to begin the calibration process.
5. The scanner pulls the calibration sheet through the scanner, which completes this scanner calibration. After the calibration is complete, click **OK** and then click **Finish**.

Power Save

To save power consumption, when the scanning process is finished, the scanner light source will turn itself off and the scanner will enter a lower-power mode without delay time.

Usage & Maintenance Tips



Attention

To keep your scanner working smoothly, take a moment to review the following usage & maintenance tips.

- Do not insert any document into the scanner with small objects such as paper clips, pins, staples or any other fasteners attached.
- Do not insert damp, curled or wrinkled documents into the scanner for scanning. These documents can cause paper jams and possibly damage the unit.

Appendix A: Troubleshooting

Scanning Problems

Most problems are easily solved, and some of the most common questions and their recommended solutions are listed below.

Symptom: After following the installation instructions, my computer cannot find the scanner.

Cause 1: Your software may have not been successfully installed.

Solution 1: Please insert the DVD-ROM and reinstall the scanner software. Follow the on-screen instructions carefully when installing the software.

Cause 2: Some aspect of your computer system does not support USB.

Solution 2: Download and execute the file USBREADY.EXE at <http://www.usb.org/home> to determine the level of your computer's USB support.

Cause 3: USB is not enabled in your BIOS settings.

Solution 3: Enable the USB controller in your BIOS settings. This is typically done by pressing a key³ (usually , <F1> or <F10>) during startup. In the BIOS Settings screen that appears, find the option for USB and enable it. Exit and Save the changes you made. Your computer is rebooted automatically. Please consult your computer vendor before attempting to do this change.

Cause 4: The USB controller was improperly installed on your computer.

Solution 4: To reinstall the USB controller, click on the Start button, choose Settings and select Control Panel. In the window that opens, double-click on the Add New Hardware icon. Carefully follow the instructions that appear on your screen.

³ Please consult your computer manual on how to modify your BIOS/CMOS settings.

Symptom: The scanned image looks grainy on the screen.

Cause: Your video mode is not set to show more than 256 colors.

Solution: We recommend that you set your video mode to 16 bits per pixel (65536 colors) or higher. Please consult your video card, computer or Windows documentation to change the video mode.

Symptom: The scanner scans very slow.

Cause 1: You are running other applications in the background.

Solution1: Close all the other applications that are running in the background.

Cause 2: You are scanning at a high resolution (DPI).

Solution 2: Reduce the resolution.

Symptom: The scanned document comes out as strange characters on the screen after the OCR process is completed.

Cause 1: Text page was scanned upside down.

Solution 1: Reverse the page and scan again.

Cause 2: The OCR software is limited to certain types of documents, fonts and formats. You might be trying to scan a form, spread sheet, a hand written letter or a document with color text or color page.

Solution 2: Scan a clean document that contains, preferably, one column and has black text on a white page.

Symptom: The scanner is not in the list of supported scanners in other commercial software.

Solution: Select TWAIN as the scanner.

Symptom: Unable to scan from other software other than the one that came with the scanner.

Solution: Enter the Scanner Setup within the program, Select TWAIN and you will see your scanner listed (e.g., Your Scanner Model Name).

Symptom: The image looks good in the software that came with the scanner but it does not look good when I export the image to another program.

Cause: Different imaging programs use different Monitor Gamma settings.

Solution: Change the Monitor Gamma settings in either of the programs so that they match. Please consult the help files for each program to find out how to adjust the Monitor Gamma.

Symptom: The image looks good in the screen but is very dark when printed.

Cause1: The Monitor Gamma Settings or the scanner brightness settings are not set properly.

Solution 1: 1) Change the Monitor Gamma to a value between 1.0 and 1.5. Please consult your help file for information on how to adjust the Monitor Gamma.
2) Adjust the brightness control in the TWAIN window before scanning.

Cause2: The printer brightness setting is not set properly.

Solution 2: Adjust the brightness in the printer. Some printers allow you to change the brightness settings. Please consult your printer documentation.

Symptom: The scanned image takes too long to be sent with an email message.

Cause1: The image was scanned at a high resolution or is physically large.

Solution1: Scan at a lower resolution (DPI).

Cause 2: The Internet might be congested.

Solution 2: Try sending the message at a later time.

Symptom: The image that I sent through email looks good in my computer but it looks dark in the recipient computer.

Solution: The Monitor gamma settings should be approximately the same in your and the recipient computer.

Symptom: A. -Disk is full- error is displayed when I click on the scan button.

Cause: Your computer is running low in resources. Your computer hard disk drive does not have enough space to process the image. This may be because you are scanning at too high of a resolution.

Solution: Obtain a larger hard disk or rescan at a lower resolution.

Symptom: A -Disk I/O error- message is displayed.

Cause 1: This error is caused if the hard disk drive does not have enough space available to process the image.

Solution 1: Make some space available in the hard disk drive by deleting any programs or files that you do not need.

Cause 2: Your hard disk drive might be heavily fragmented or it might contain some bad sectors.

Solution 2: Run the Scan Disk utility that came with your Windows computer. Please consult your computer documentation or the Windows help files on how to run the Scan Disk Utility.

Symptom: The error “Scanner not Found” that is displayed.

Cause 1: The USB cables are not connected properly.

Solution 1: Make sure that the cables are connected tightly and to the proper port.

Cause 2: The USB cable might be too long.

Solution 2: Please use the USB cable that comes with your scanner.

Symptom: The document or photo has been inserted into the scanner but is not fed through the scanner.

Cause 1: The document or photo was not correctly inserted into the scanner.

Solution 1: Make sure the document or photo is properly inserted into the page feed slot of the scanner.

Solution 2: The paper may be too thin or too thick.

Cause 2: The thickness of the paper is out of scanner specifications.

Symptom: The document or photo got jammed while getting fed into the scanner.

Cause: The document or photo was not correctly inserted into the scanner.

Solution: Grab the jammed paper and pull it through the scanner. Try to avoid creasing, wrinkling or tearing the paper.

Appendix B: Specifications⁴

Image Sensor	CIS x 2
Optical Resolution	600 dpi
Hardware Resolution	600 x 600 dpi
Scan Modes	Color: 48-bit Input; 24-bit Output Grayscale: 16-bit Input; 8-bit Output B/W: 1-bit
Scanning Speed	Simplex: 5 sec (Color, 300 dpi, A6) Duplex: 7 sec (Color, 300 dpi, A6)
Scanning Area (W x L)	Max: 104.9 x 593.3 mm (4.13" x 23.36") Min: 40 x 45 mm (1.57" x 1.77")
Acceptable Paper Sizes (W x L)	Max: 107 x 593.3 mm (4.21" x 23.36") Min: 40 x 45 mm (1.57" x 1.77")
Acceptable Paper Weight (Thickness)	Paper: 50 g/m ² to 120 g/m ² Plastic card: Non-Embossed up to 1.0 mm & Embossed up to 1.2 mm
Action Button	Scan
Power Supply	USB Power: 5V / 0.5A
Interface	USB 2.0
Net Weight	0.45 Kgs (1 Lbs)
Dimensions (W x D x H)	194 x 75 x 55 mm (7.63" x 2.95" x 2.17")
Protocol	TWAIN Compliant

⁴ Hardware specifications may change at any time without prior notice.

Appendix C: Customer Service and Warranty

If you encounter problems with your scanner, please review the installation instructions and troubleshooting suggestions contained in this guide.

Visit our website www.plustek.com for more customer service information. To avoid delays, please have the following information available:

- Scanner name and model number
- Scanner serial number (Located at the bottom of the scanner)
- A detailed description of the problem
- Your computer manufacturer and its model number
- The speed of your CPU (2.0 GHz CPU processor, etc.)
- Your current operating system and BIOS (optional)
- Name of software package(s), version or release number and manufacturer of the software
- Other USB devices installed

Service & Support Information (For EU country only)

Where appropriate, the period of availability of spare parts and the possibilities of upgrading products information. Please ask local distributors and suppliers for spare parts information and product upgrade information.

Information requested by relevant Implementing Measure. Please ask local distributors and suppliers for the related information of Implementing Measure test report.

Do not dispose anything of products before you ask local distributors and suppliers to get correct information for decreases of environmental impact with right methods and procedures.

If you want to disposals the product and/or an accessory, please ask local distributors and suppliers to get the contact information of nearest disposal manufactures.

If you have any maintenance inquiry, please ask local distributors and suppliers to get the contact information of nearest maintenance center in order to extend the product usage life time.

If you want to maintain and clearance the product, please ask local distributors and suppliers to get the right information of nearest stores.

Statement of Limited Warranty

This Statement of Limited Warranty applies only to the options you originally purchase for your use, and not for resale, from an authorized reseller.

The manufacturer warranty includes all parts and labor, and is not valid without the receipt of original purchase. To obtain warranty service, you may contact the authorized dealer or distributor, or visit our website to check out the available service information, or send a request via E-mail for further help.

If you transfer this product to another user, warranty service is available to that user for the remainder of the warranty period. You should give your proof of purchase and this statement to that user.

We warrant that this machine will be in good working order and will conform to its functional descriptions in the documentation provided. Upon provision of proof of purchase, replacement parts assume the remaining warranty of the parts they replace.

Before presenting this product for warranty service, you must remove all programmes, data and removable storage media. Products returned without guides and software will be replaced without guides and software.

This Limited Warranty service does not provide for carry-in exchange when the problem results from accident, disaster, vandalism, misuse, abuse, unsuitable environment, programme modification, another machine or non-vendor modification for this product.

If this product is an optional feature, this Limited Warranty applies only when the feature is used in a machine for which it was designed.

If you have any questions about your Limited Warranty, contact the approved retailer from whom you bought the product or the manufacturer.

THIS LIMITED WARRANTY REPLACES ALL OTHER WARRANTIES, EXPRESS OR IMPLIED, INCLUDING, BUT NOT LIMITED TO, THE IMPLIED WARRANTIES OF MERCHANTABILITY AND FITNESS FOR A PARTICULAR PURPOSE. HOWEVER, SOME LAWS DO NOT ALLOW THE EXCLUSION OF IMPLIED WARRANTIES. IF THESE LAWS APPLY, THEN ALL EXPRESS AND IMPLIED WARRANTIES ARE LIMITED IN DURATION TO THE WARRANTY PERIOD. NO OTHER WARRANTIES APPLY AFTER THAT PERIOD.

Some jurisdictions do not allow limitations on how long an implied warranty lasts, so the above limitation may not apply.

Under no circumstances are we liable for any of the following:

1. Third party claims against you for losses or damages.
2. Loss of, or damage to, your records or data; or
3. Economic consequential damages (including lost profits or savings) or incidental damages, even if we are informed of their possibility.

Some jurisdictions do not allow the exclusion or limitations of incidental or consequential damages, so the above limitation or exclusion may not apply to you.

This Limited Warranty gives you specific legal rights, and you may also have other rights that vary from jurisdiction to jurisdiction.

FCC Radio Frequency Statement

This equipment has been tested and found to comply with the limits for a Class B digital device, pursuant to part 15 of the FCC rules. These limits are designed to provide reasonable protection against harmful interference in a residential installation.

This equipment generates, uses and can radiate radio frequency energy and, if not installed and used in accordance with the instructions, may cause harmful interference to radio communications. However, there is no guarantee that interference will not occur in a particular television reception (which can be determined by turning the equipment off and on), the user is encouraged to try to correct the interference by one or more of the following measures:

- Reorient or relocate the receiving antenna.
- Increase the separation between the equipment and receiver.
- Connect the equipment to an outlet on a circuit different from that which the receiver is connected.
- Shielded interconnect cables and shielded power cord which are supplied with this equipment must be employed with this equipment to ensure compliance with the pertinent RF emission limits governing this device.
- Consult the dealer or an experienced radio/TV technician for help if the conditions persist.
- Changes or modifications not expressly approved by the manufacturer or authorized service center could void the user's authority to operate this equipment.

This device complies with Part 15 of the FCC Rules. Operation is subject to the following two conditions: (1) this device may not cause harmful interference, and (2) this device must accept any interference received, including interference that may cause undesired operation.