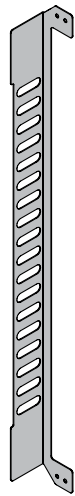
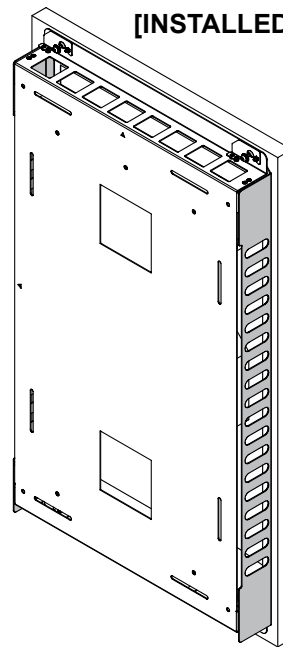

INSTALLATION INSTRUCTIONS



[PSMO2168SC]



[INSTALLED TO PSMO2168]

Outdoor Static Wall Mount Side Covers

CHIEF[®]

A brand of  legrand

PSMO2168SC

DISCLAIMER

Legrand | AV and its affiliated corporations and subsidiaries (collectively "Legrand | AV"), intend to make this manual accurate and complete. However, Legrand | AV makes no claim that the information contained herein covers all details, conditions or variations, nor does it provide for every possible contingency in connection with the installation or use of this product. The information contained in this document is subject to change without notice or obligation of any kind. Legrand | AV makes no representation of warranty, expressed or implied, regarding the information contained herein. Legrand | AV assumes no responsibility for accuracy, completeness or sufficiency of the information contained in this document.

Chief® is a registered trademark of Legrand AV Inc.

DEFINITIONS

MOUNTING SYSTEM: A MOUNTING SYSTEM is the primary Chief product to which an accessory and/or component is attached.

ACCESSORY: AN ACCESSORY is the secondary Chief product which is attached to a primary Chief product, and may have a component attached or setting on it.

COMPONENT: A COMPONENT is an audiovisual item designed to be attached or resting on an accessory or mounting system such as a video camera, CPU, screen, display, projector, etc.



WARNING: A WARNING alerts you to the possibility of serious injury or death if you do not follow the instructions.



CAUTION: A CAUTION alerts you to the possibility of damage or destruction of equipment if you do not follow the corresponding instructions.



IMPORTANT SAFETY INSTRUCTIONS



WARNING: Failure to read, thoroughly understand, and follow all instructions can result in serious personal injury, damage to equipment, or voiding of factory warranty! It is the installer's responsibility to make sure all accessories are properly assembled and installed using the instructions provided.



WARNING: Failure to provide adequate structural strength for this accessory can result in serious personal injury or damage to equipment! It is the installer's responsibility to make sure the structure to which this accessory is attached can support five times the combined weight of all equipment. Reinforce the structure as required before installing the accessory.



WARNING: Exceeding the weight capacity can result in serious personal injury or damage to equipment! It is the installer's responsibility to make sure the combined weight of all components attached to PSMO2168 mounting system does not exceed 125 lbs (56.7 kg).



WARNING: Use this accessory only for its intended use as described in these instructions. Do not use attachments not recommended by the manufacturer.



WARNING: Never operate this accessory if it is damaged. Return the accessory to a service center for examination and repair.

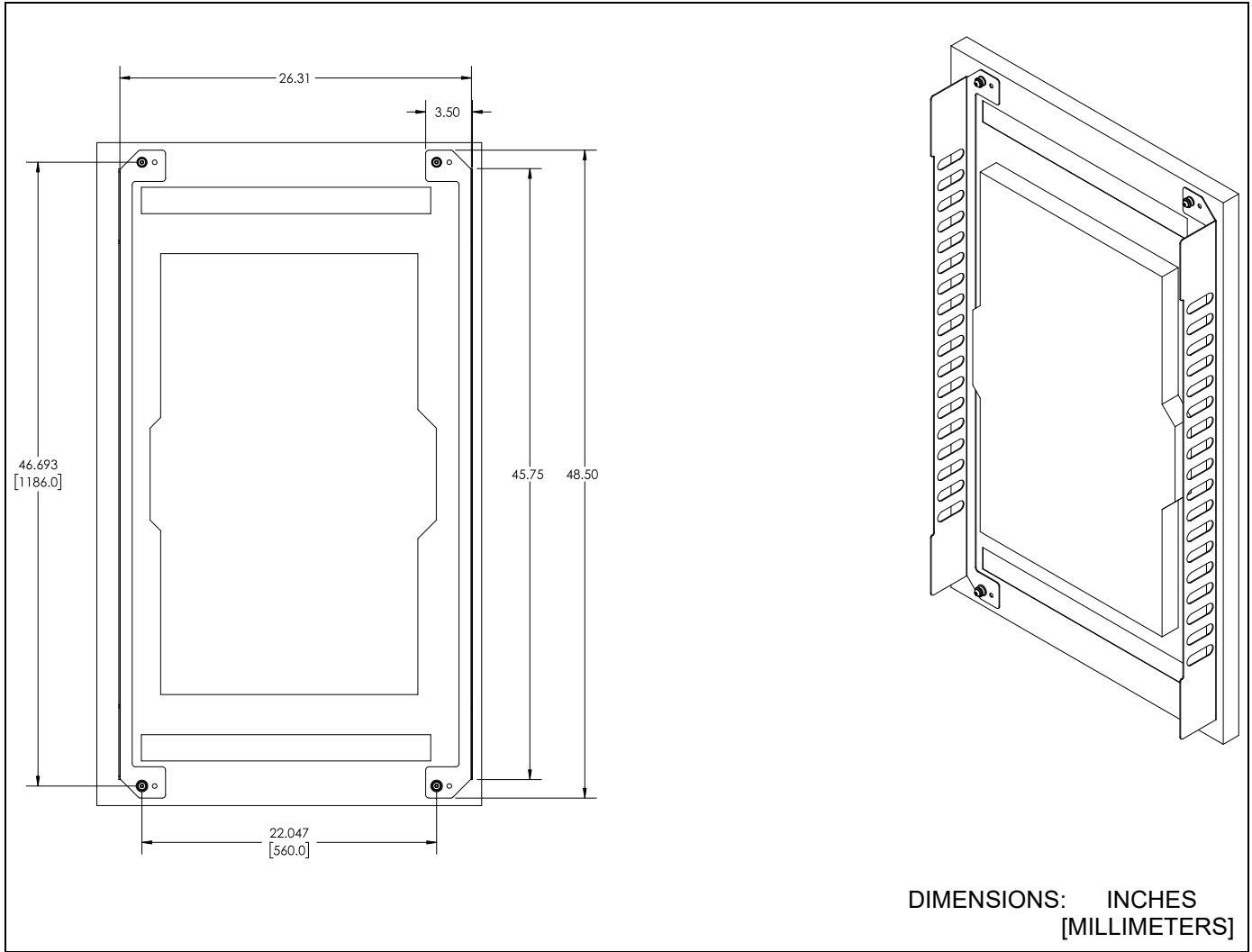
IMPORTANT ! : The PSMO2168SC accessory is designed to be mounted to:

- PSMO2168 Heavy-Duty Custom Outdoor Mount

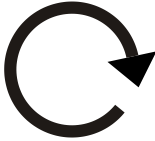

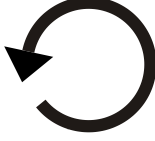


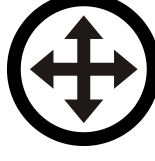






IMPORTANT ! : The PSMO2168SC side covers are only designed to be used when the display is mounted in a portrait orientation.

--SAVE THESE INSTRUCTIONS--

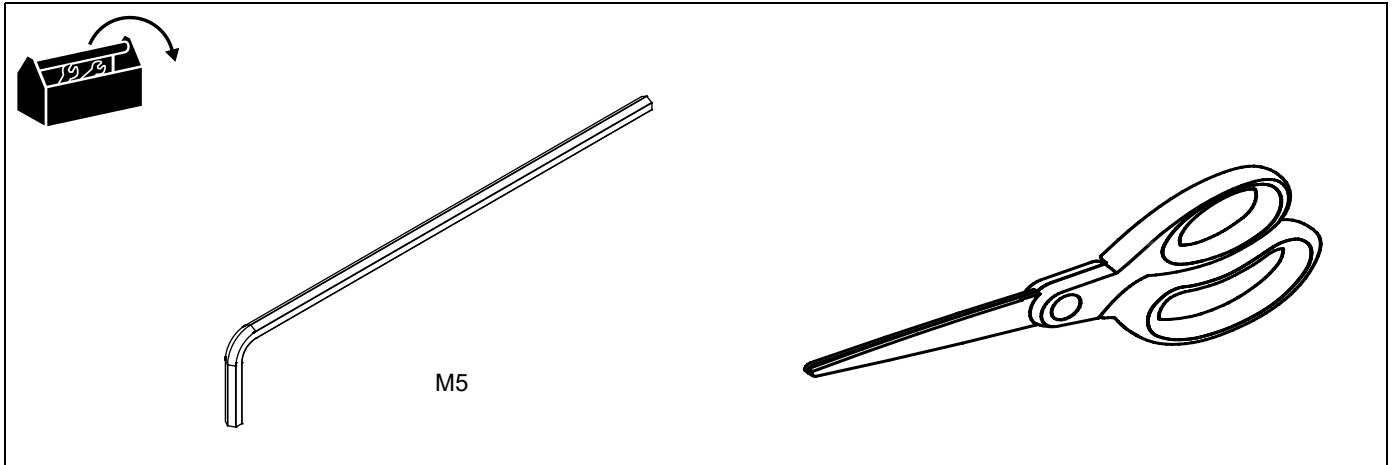
DIMENSIONS



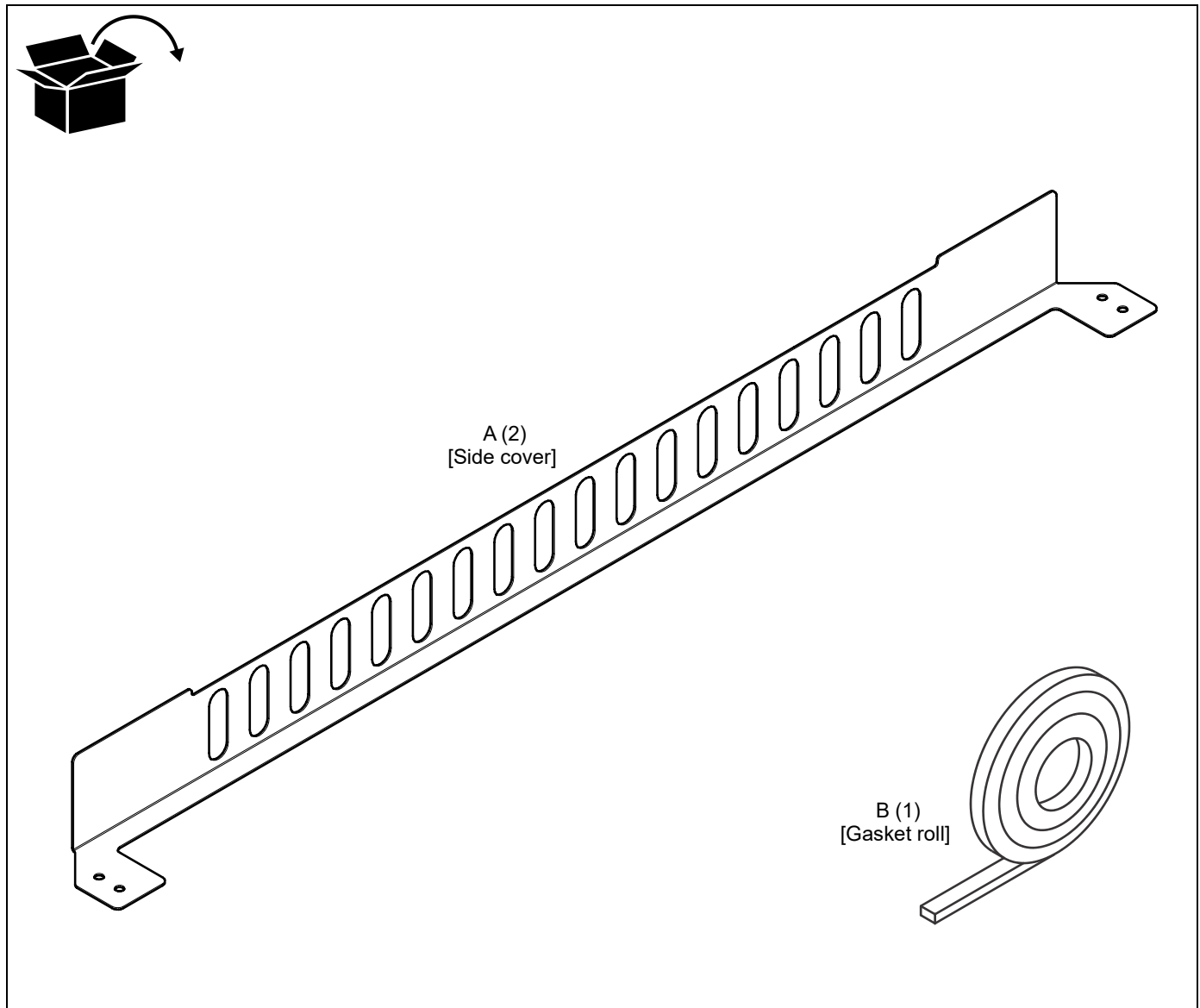
LEGEND

	Tighten Fastener Apretar elemento de fijación Befestigungsteil festziehen Apertar fixador Serrare il fissaggio Bevestiging vastdraaien Serrez les fixations		Pencil Mark Marcar con lápiz Stiftmarkierung Marcar com lápis Segno a matita Potloodmerkteken Marquage au crayon
	Loosen Fastener Aflojar elemento de fijación Befestigungsteil lösen Desapertar fixador Allentare il fissaggio Bevestiging losdraaien Desserrez les fixations		Drill Hole Perforar Bohrloch Fazer furo Praticare un foro Gat boren Percez un trou
	Phillips Screwdriver Destornillador Phillips Kreuzschlitzschraubendreher Chave de fendas Phillips Cacciavite a stella Kruiskopschroevendraaier Tournevis à pointe cruciforme		Adjust Ajustar Einstellen Ajustar Regolare Afstellen Ajuster
	Open-Ended Wrench Llave de boca Gabelschlüssel Chave de bocas Chiave a punte aperte Steeksleutel Clé à fourche		Remove Quitar Entfernen Remover Rimuovere Verwijderen Retirez
	By Hand A mano Von Hand Com a mão A mano Met de hand À la main		Optional Opcional Optional Opcional Opzionale Optie En option
	Hex-Head Wrench Llave de cabeza hexagonal Sechskantschlüssel Chave de cabeça sextavada Chiave esagonale Zeskantsleutel Clé à tête hexagonale		Security Wrench Llave de seguridad Sicherheitsschlüssel Chave de segurança Chiave di sicurezza Veiligheidssleutel Clé de sécurité

TOOLS REQUIRED FOR INSTALLATION



PARTS



Assembly And Installation

IMPORTANT ! : The PSMO2168SC side covers are only designed to be used when the display is mounted in a portrait orientation.

1. If installed, remove the display from the PSMO2168 mount. Move latching flags to the **OPEN** position, then lift display up and pull it away from the mount. (See Figure 1)

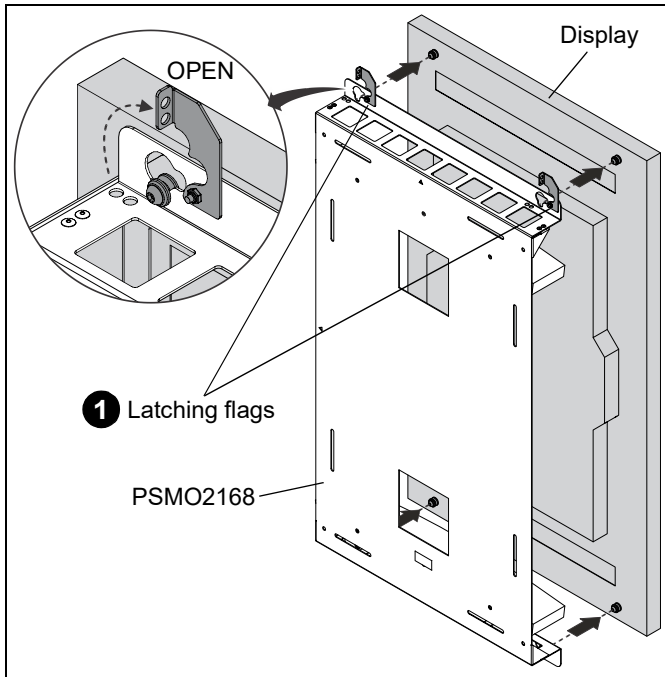


Figure 1

2. Remove four mounting buttons and screws from back of display and set aside. (See Figure 2)

NOTE: Hardware will be reinstalled in a later step.

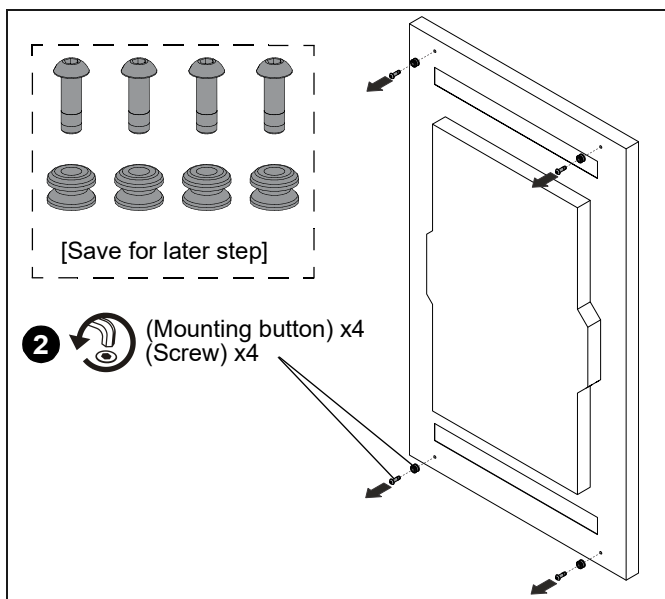


Figure 2

3. Cut four pieces from gasket roll (B) and install to inside edges of both side covers (A). (See Figure 3)

NOTE: Approximate gasket length per piece is 5.1" (130 mm).

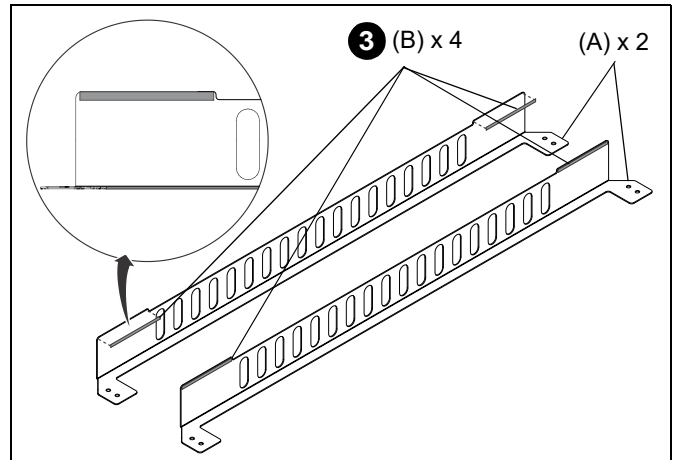


Figure 3

4. Install side covers to back of display using mounting buttons and screws removed in Step 2. (See Figure 4)

IMPORTANT ! : Side covers need to be installed using the correct holes depending on which side of the display it is being installed on. (See Figure 4)

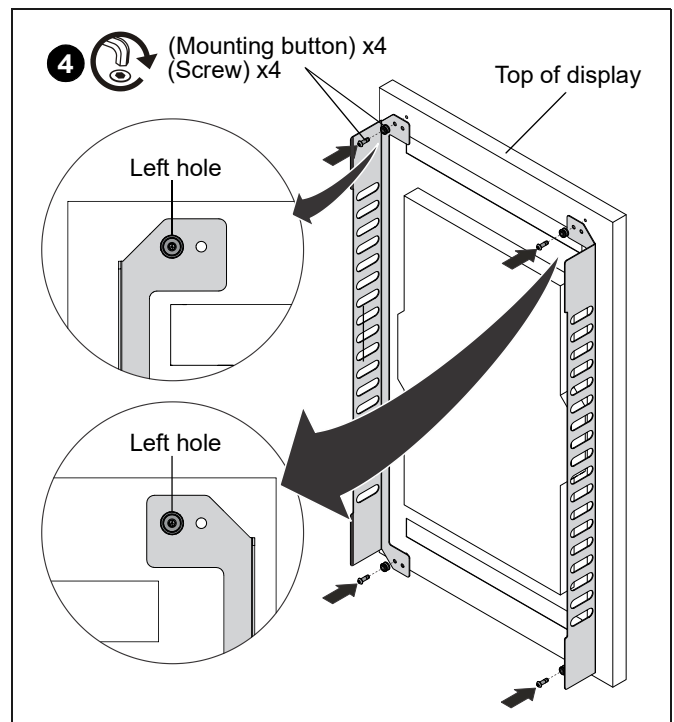


Figure 4

5. Align mounting buttons on display with teardrop mounting holes in mount. (See Figure 5)
6. Move display forward until recessed area of mounting buttons is positioned over lower area of teardrop mounting holes. (See Figure 5)

7. Lower display until recessed area of mounting buttons is seated in lower area of teardrop mounting holes.



CAUTION: Lift display following lifting instructions provided by display manufacturer to avoid damaging equipment.

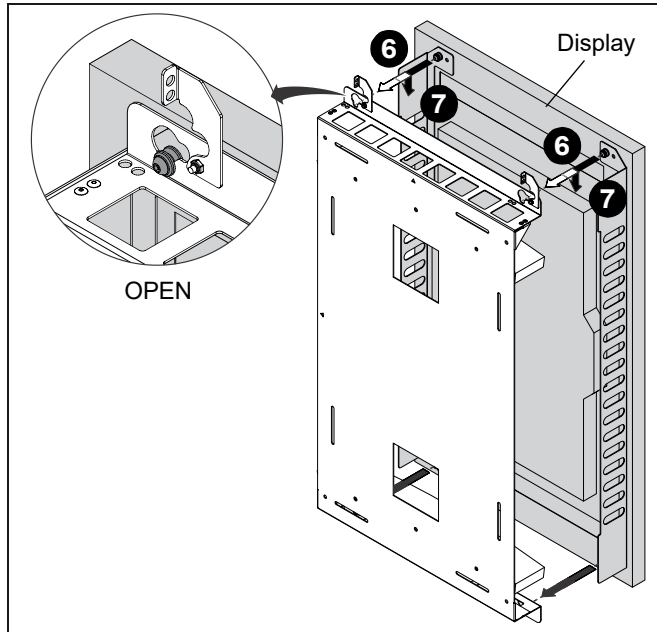


Figure 5

8. Move latching flags to **CLOSED** position. (See Figure 6)
9. **OPTIONAL:** Lock latching flags in place if desired. (See Figure 6)

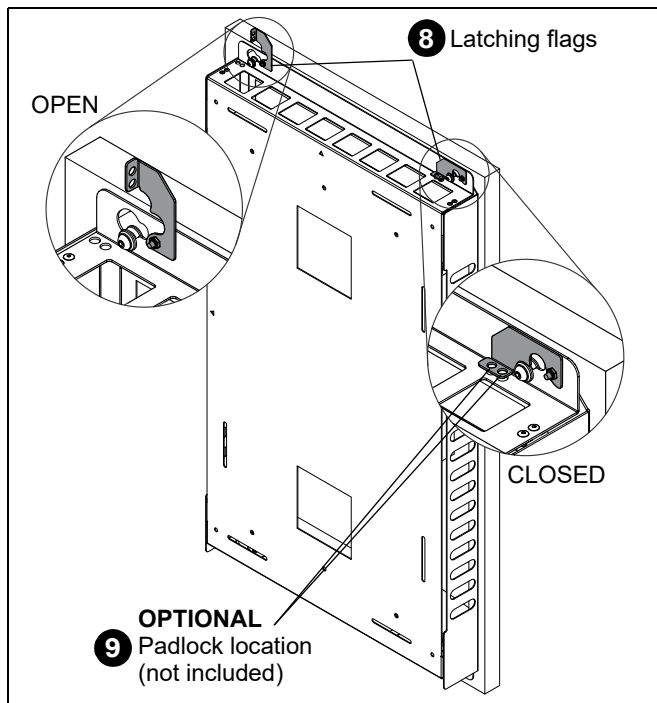


Figure 6

CHIEF®

A brand of  **legrand**

8800-003374 Rev00
©2022 Legrand | AV
www.legrandav.com
11/2022

USA/International	A 6436 City West Parkway, Eden Prairie, MN 55344 P 800.582.6480 / 952.225.6000 F 877.894.6918 / 952.894.6918
Europe	A Franklinstraat 14, 6003 DK Weert, Netherlands P +31 (0) 495 580 852 F +31 (0) 495 580 845
Asia Pacific	A Office No. 918 on 9/F, Shatin Galleria 18-24 Shan Mei Street Fotan, Shatin, Hong Kong P 852 2145 4099 F 852 2145 4477

