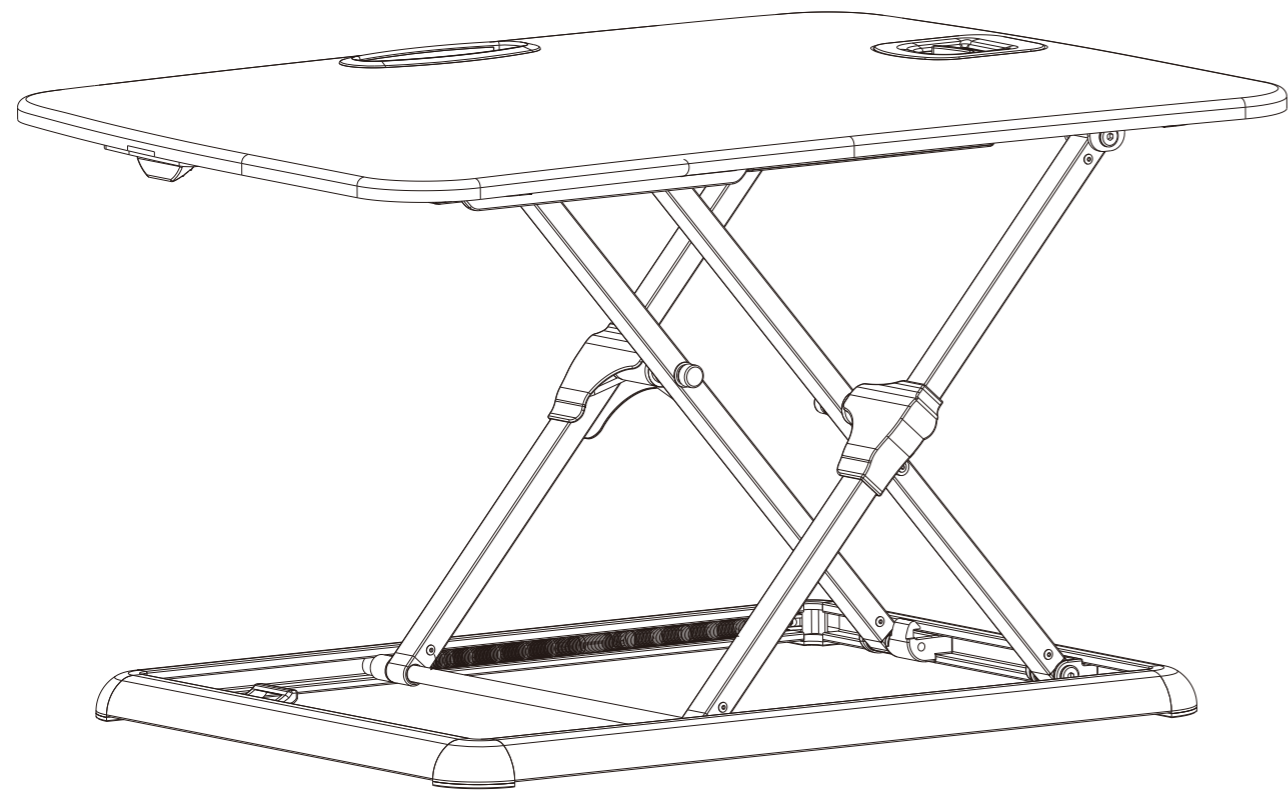
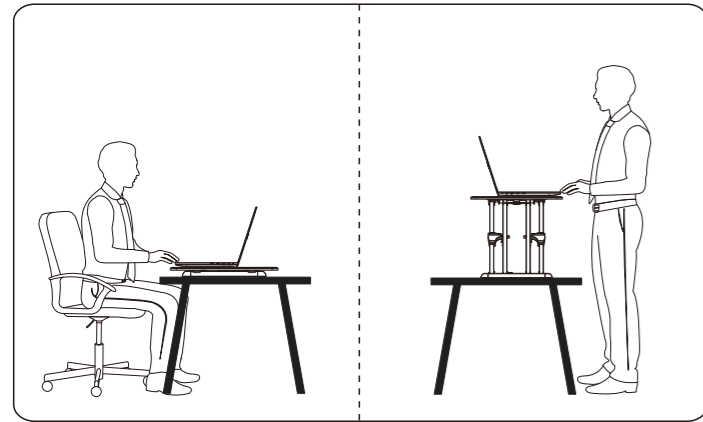


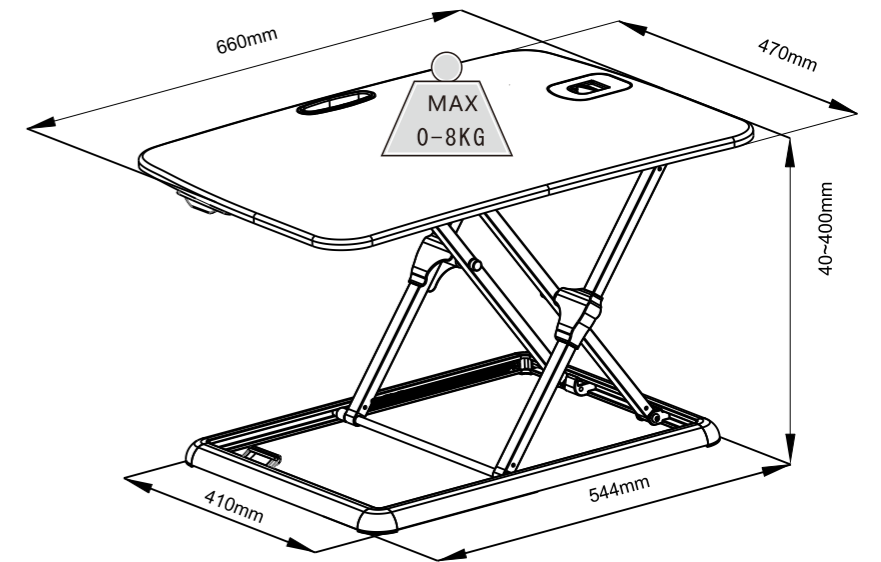
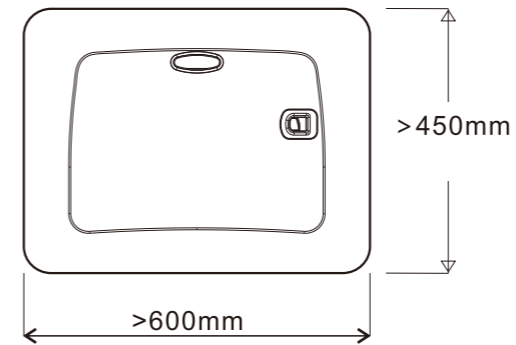
# EXPONENT

## SIT-STAND STATION Instructions#50901

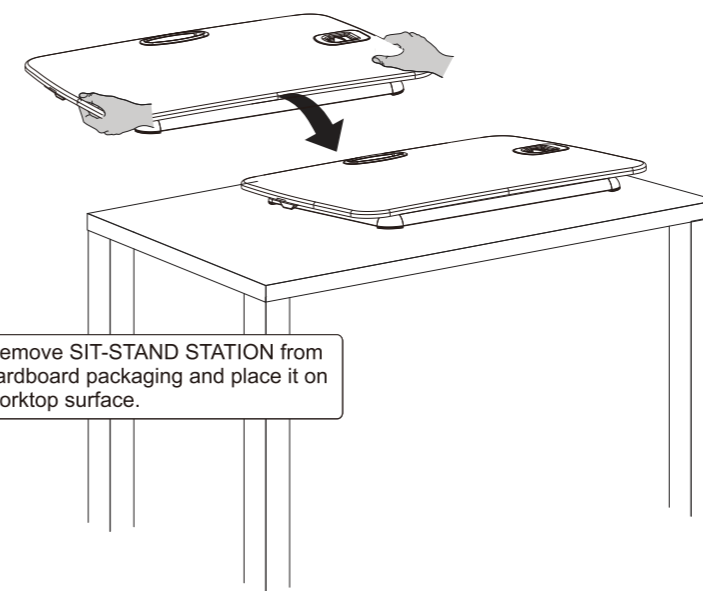


### Specification

Table size:

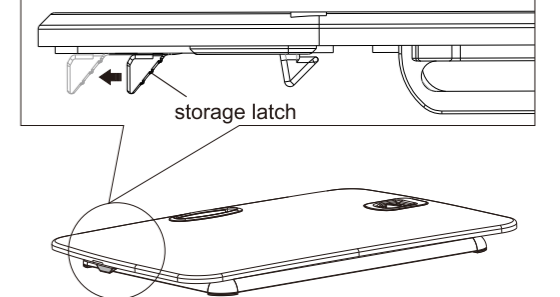


### STEP 1



Remove SIT-STAND STATION from cardboard packaging and place it on worktop surface.

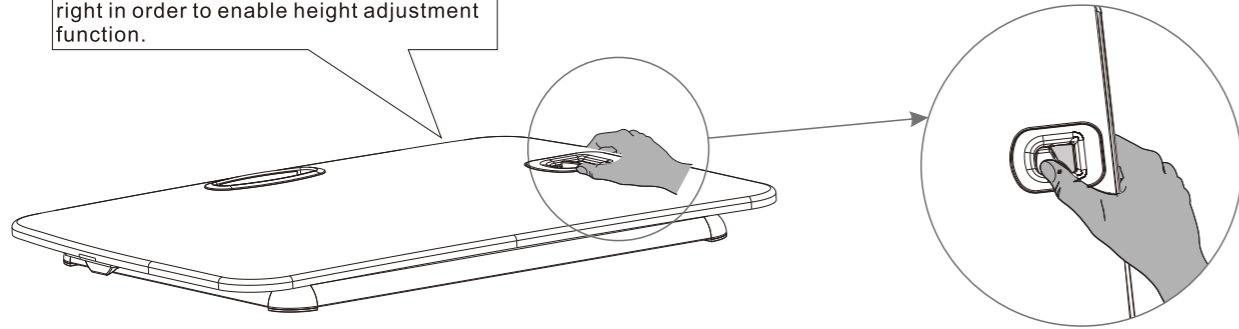
Please release storage latch on left side, as illustrated, in order to initiate proper range of movement.



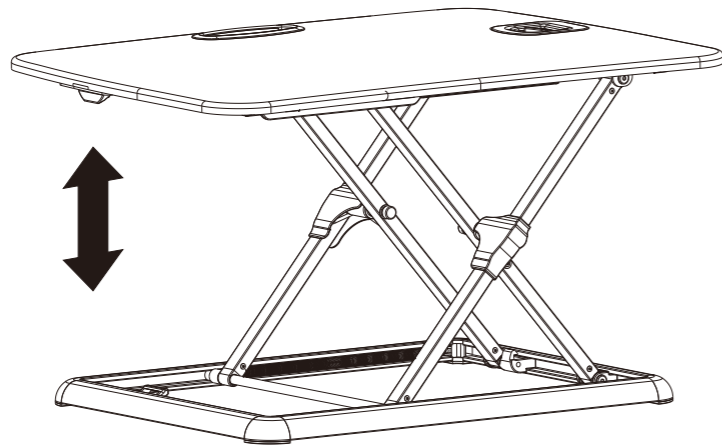
**STEP 2**

**!** **WARNING** When adjusting height hold SIT-STAND STATION using both hands positioned on opposite sides of top. This will protect your back and hands from injury.

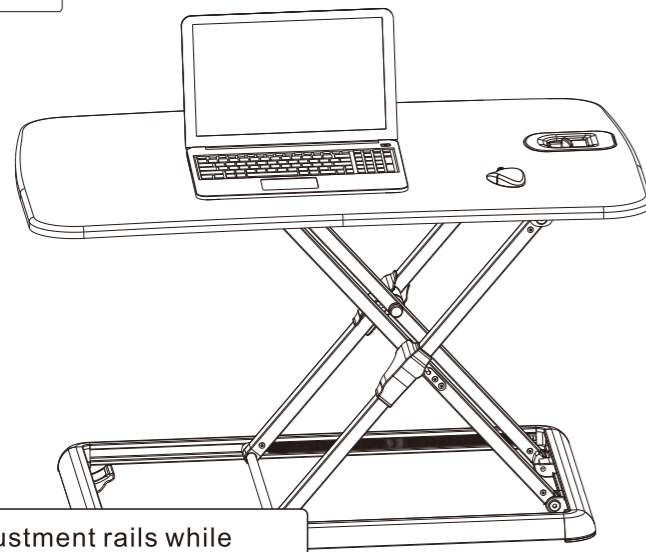
Using your thumb, retract the lever to the right in order to enable height adjustment function.



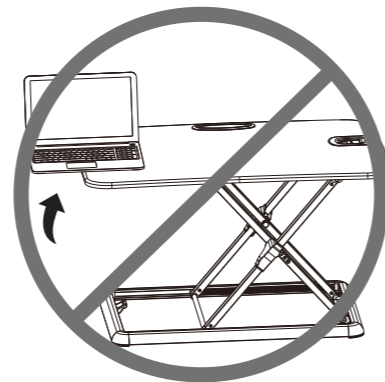
Releasing the latch will allow the unit to click into and lock at the various height levels.



**STEP 3**



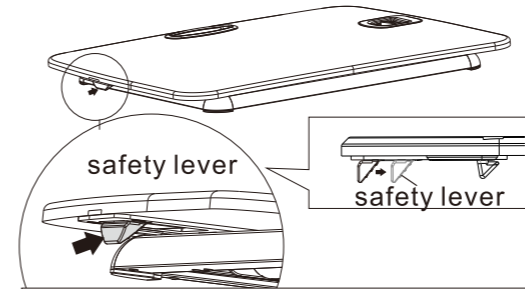
**Warning**  
Avoid adjustment rails while operating the unit.



**!** **CAUTION** Please avoid unstable equipment placement. Avoid equipment overhang.

**Safety Steps when moving or transporting the SIT-STAND STATION.**

**1** Engage the safety lever under the left side of the unit as illustrated.



Press the lever to enable the unit to be placed in a locked position.

**2** Once the unit is locked it may be easily transported using the carrying handle illustrated on the side.

